

S6 x10



M6x12 x6



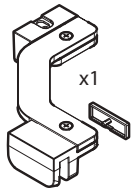
M5x10 x1



M4x5 x1



x1



x1



4x35 x10



M3x6 x2



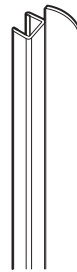
M5x8 x2



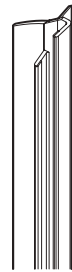
3,5x19 x1



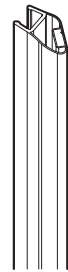
x2



x1



x1



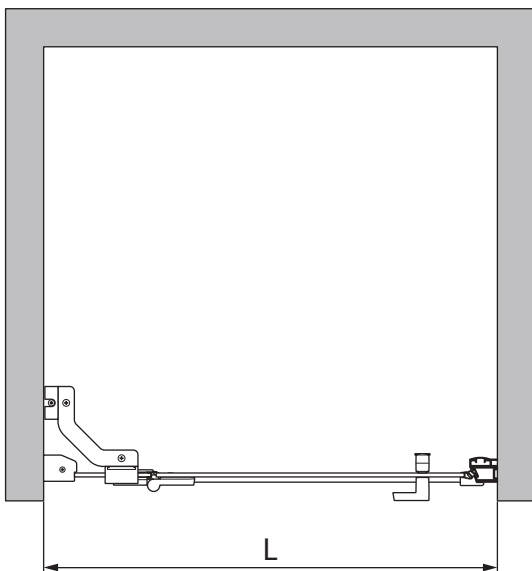
x1



x1

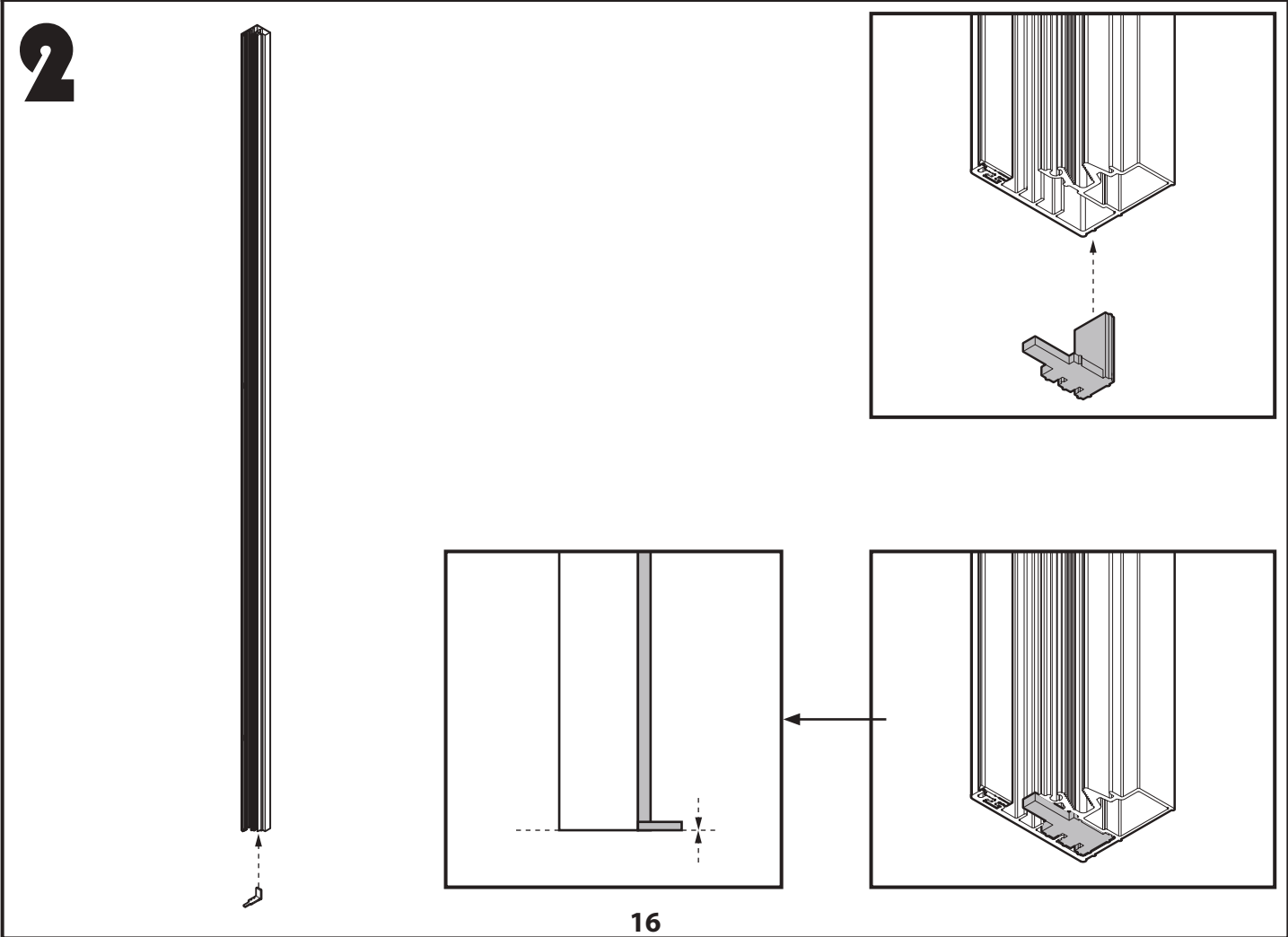
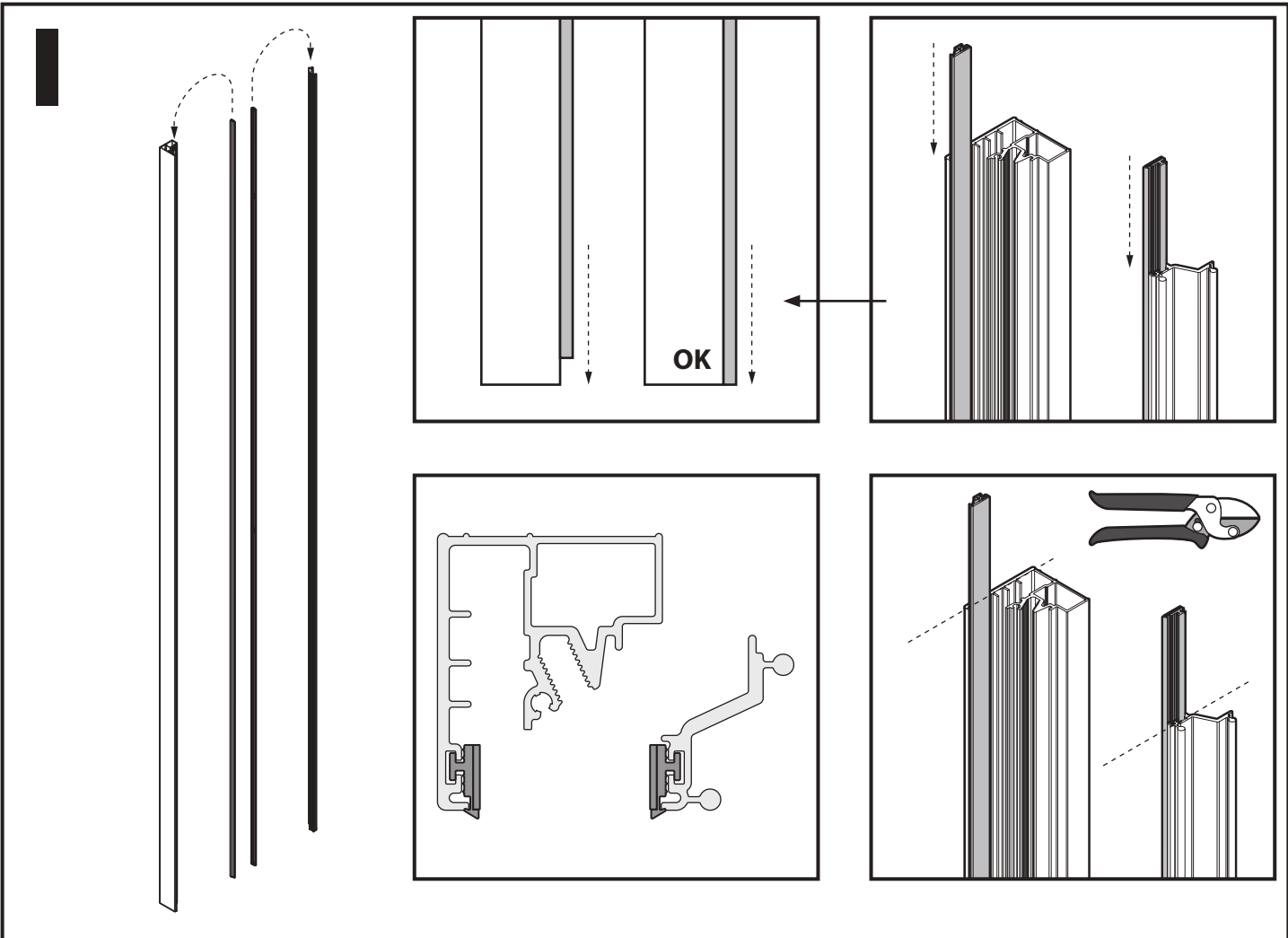


x1

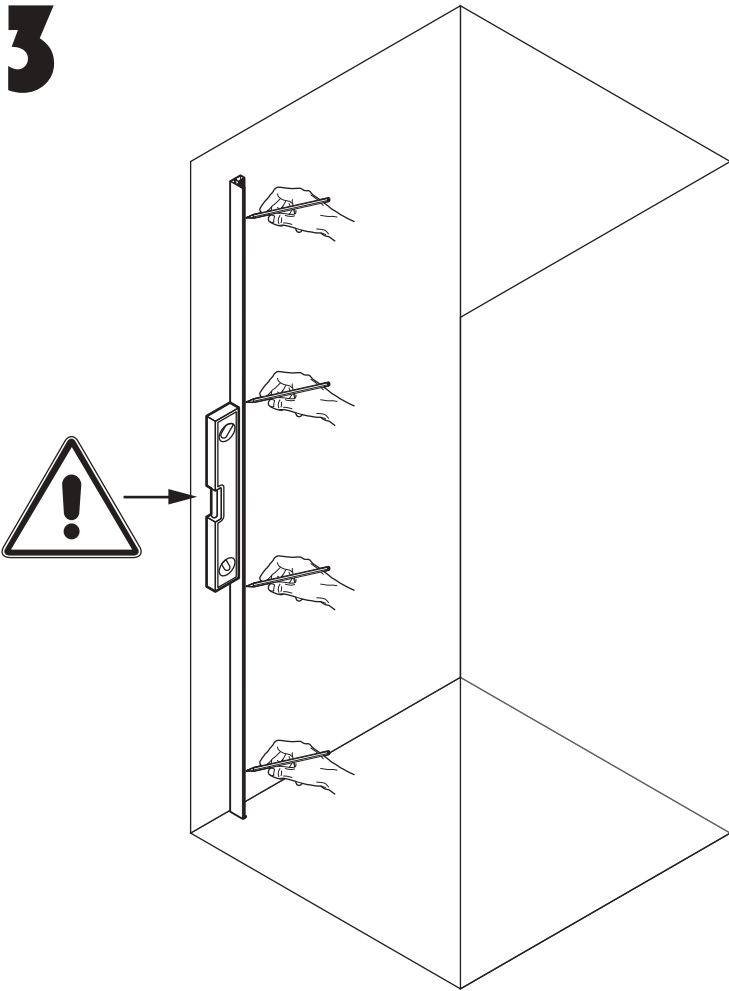


G70	L=69-71 cm
G75	L=74-76 cm
G67	L=66-68 cm
G73	L=72-74 cm
G77	L=76-78 cm
G80	L=79-81 cm
G85	L=84-86 cm
G87	L=86-88 cm
G90	L=89-91 cm
G95	L=94-96 cm
G97	L=96-98 cm
G100	L=99-101 cm
G107	L=106-108 cm

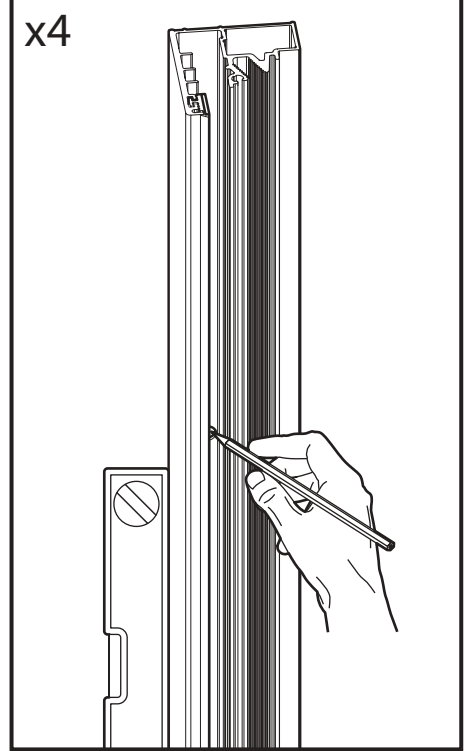
G110	L=109-111 cm
G115	L=114-116 cm
G117	L=116-118 cm
G120	L=119-121 cm
G130	L=129-131 cm
G137	L=136-138 cm
G140	L=139-141 cm
G147	L=146-148 cm
G150	L=149-151 cm
G157	L=156-158 cm
G160	L=159-161 cm
G167	L=166-168 cm
G170	L=169-171 cm



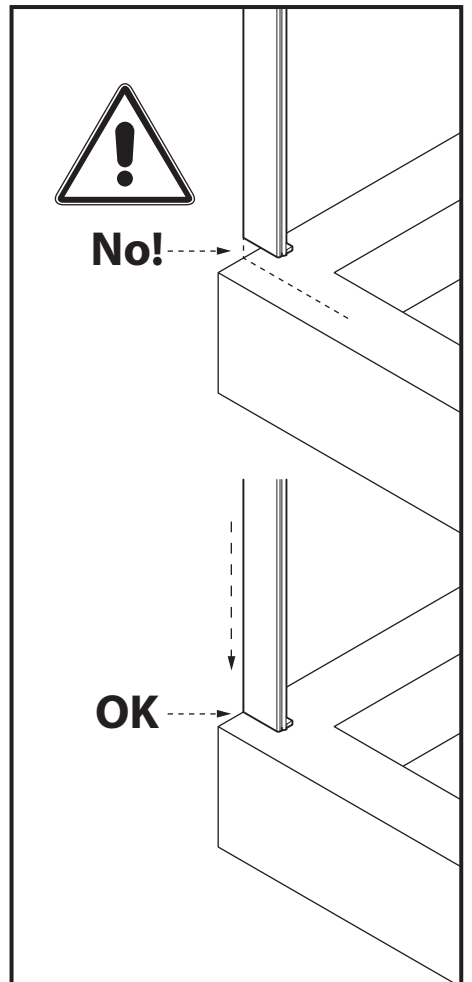
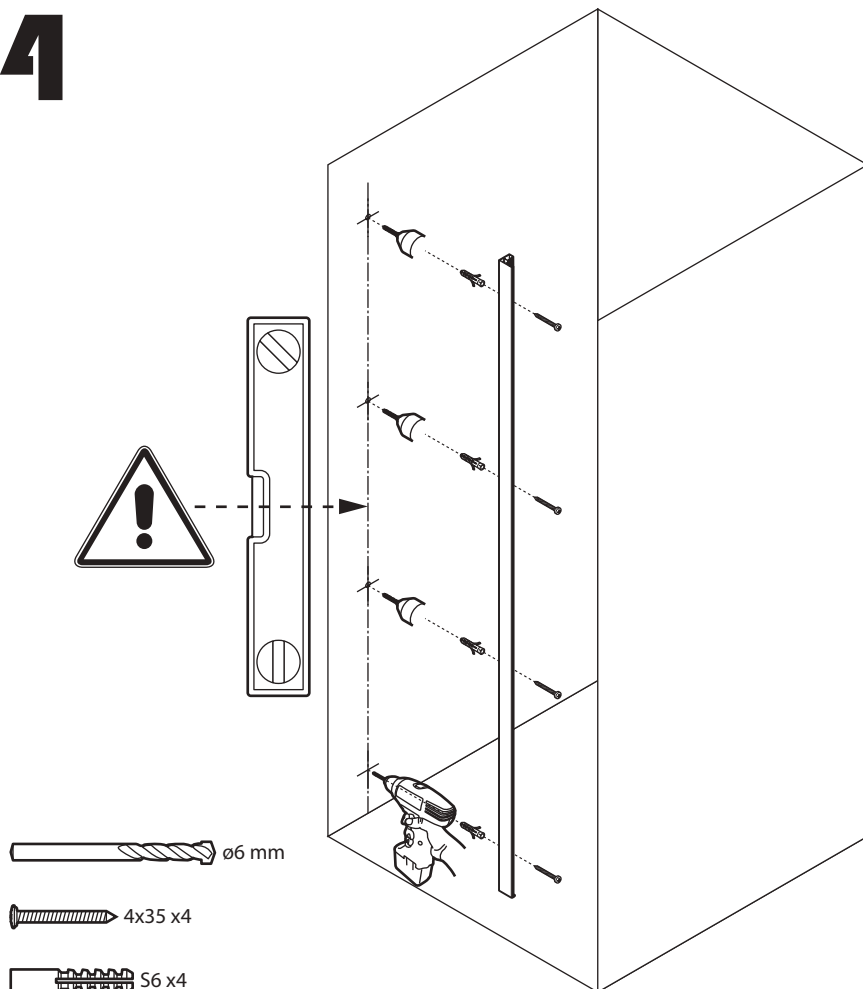
3



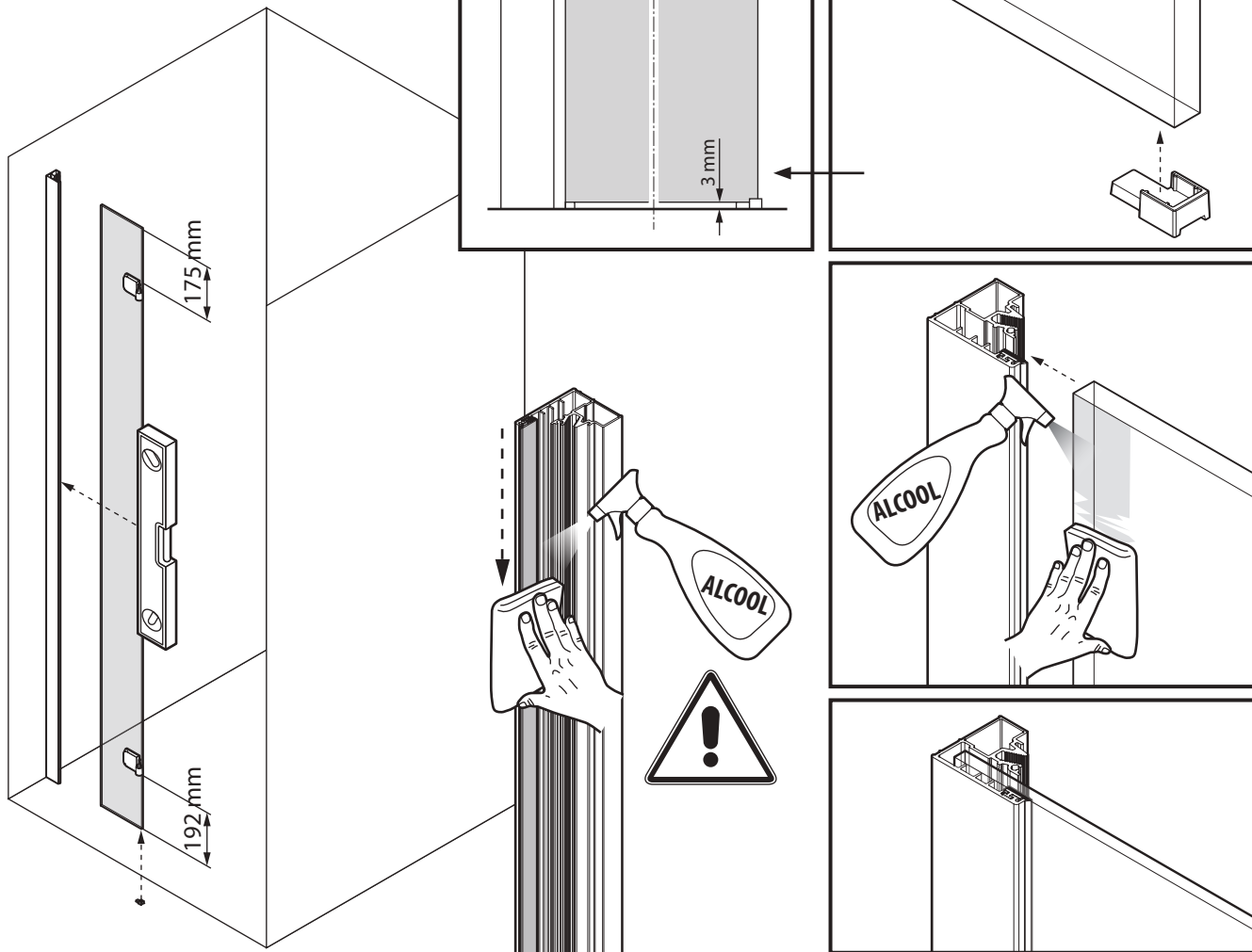
x4



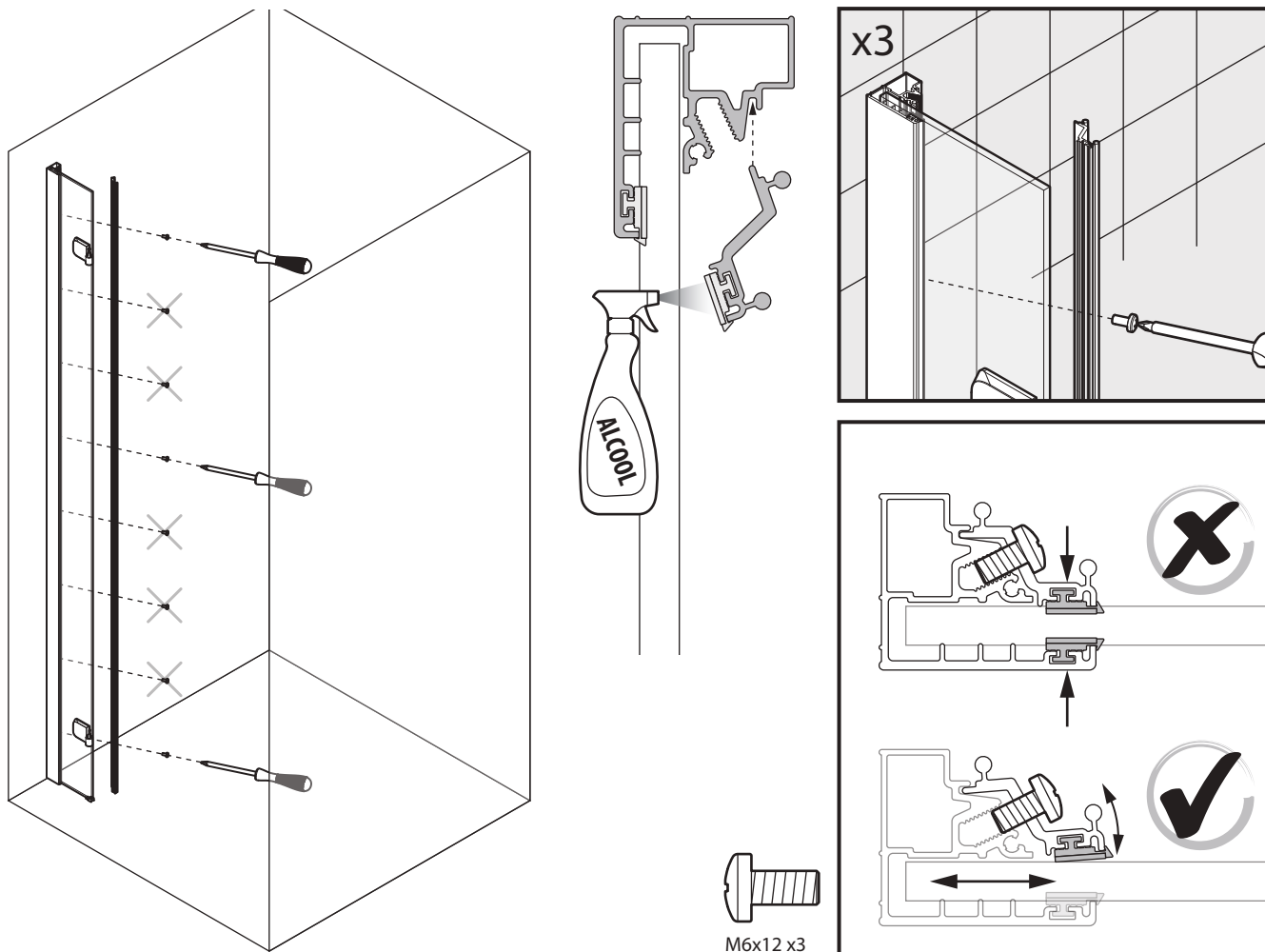
4



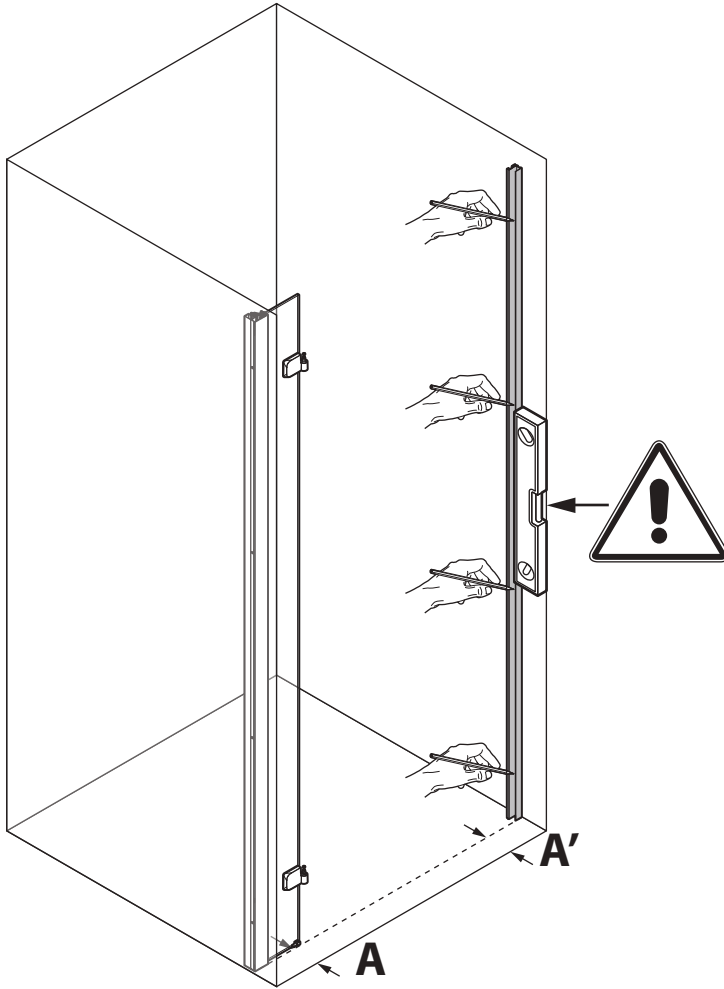
5



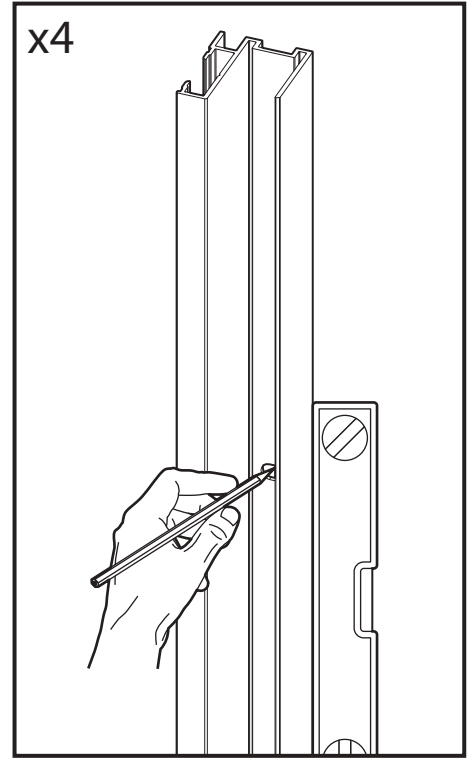
6



7

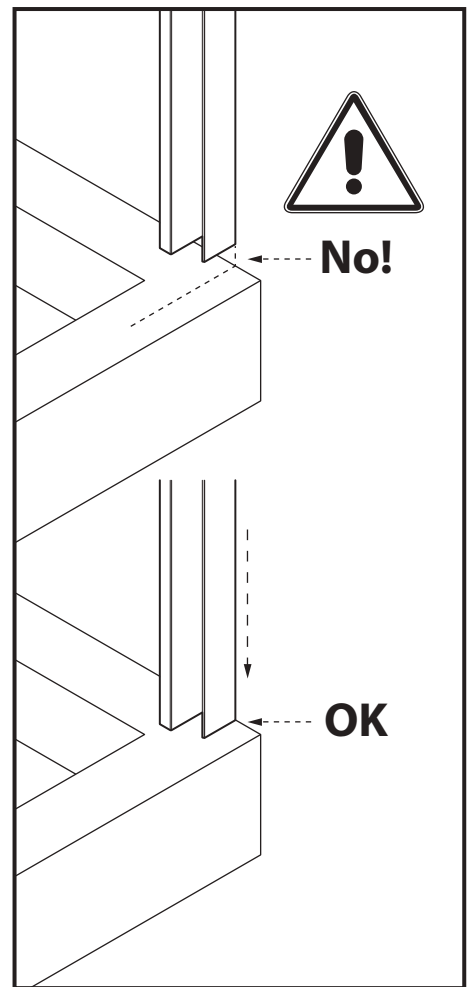
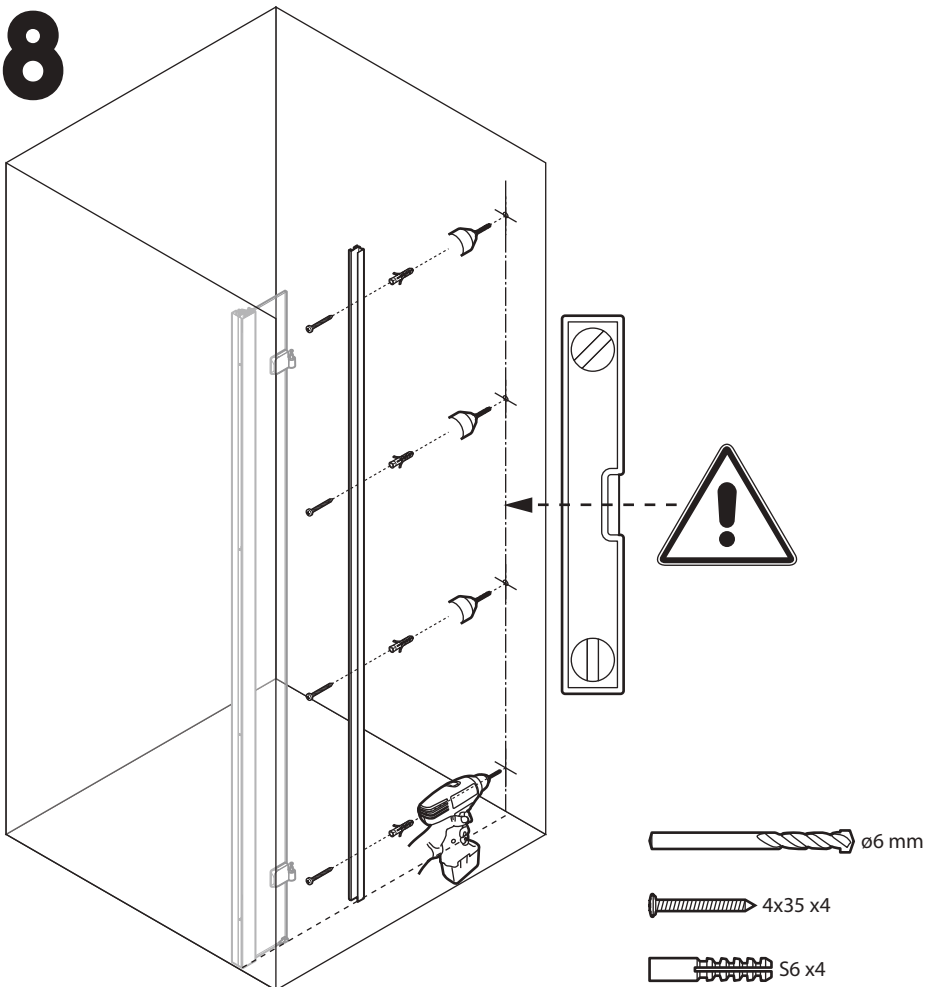


x4

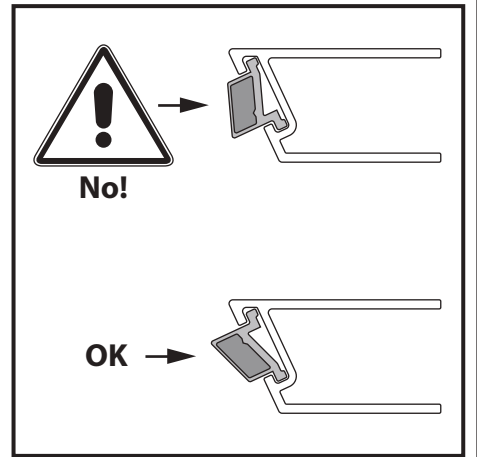
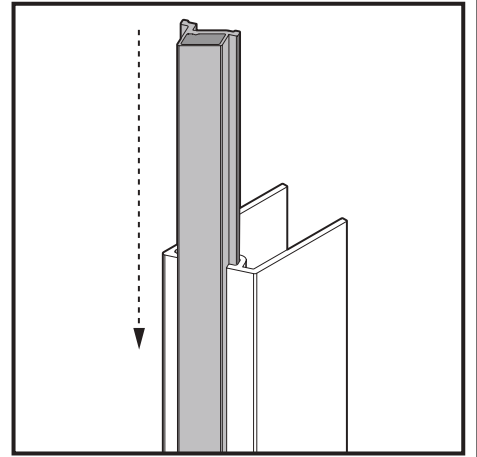
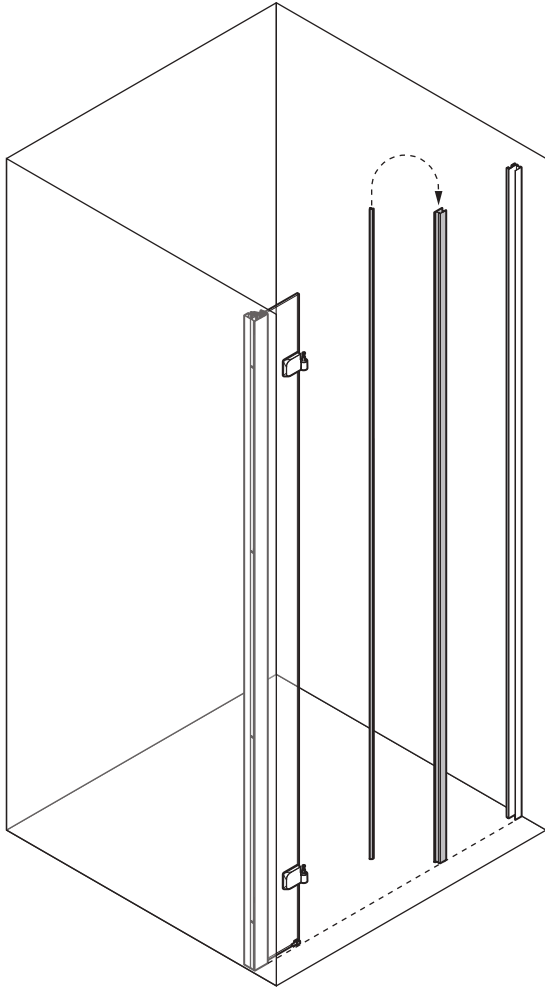


 **A = A'**

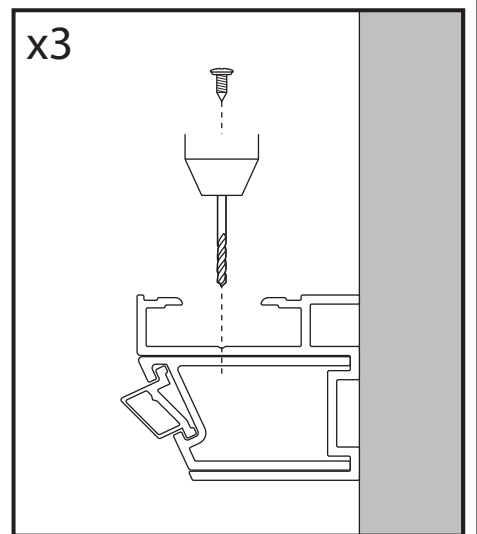
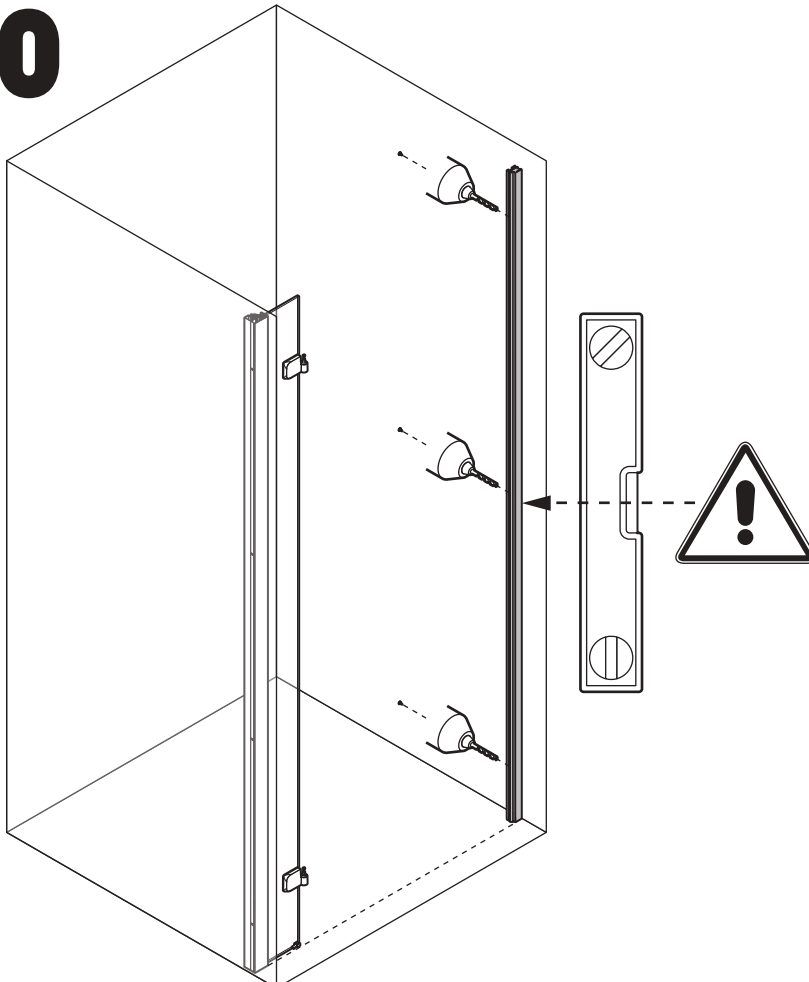
8



9

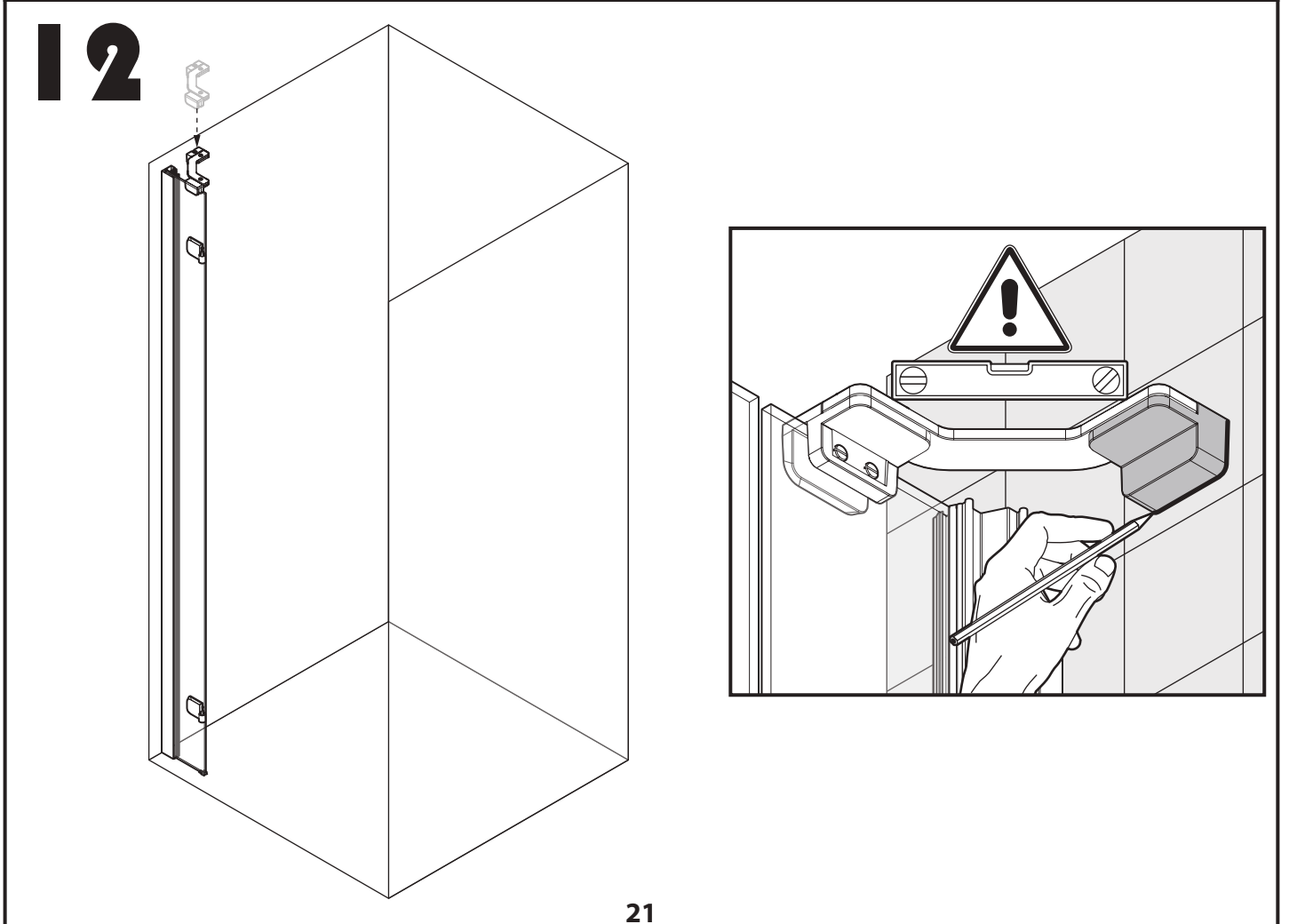
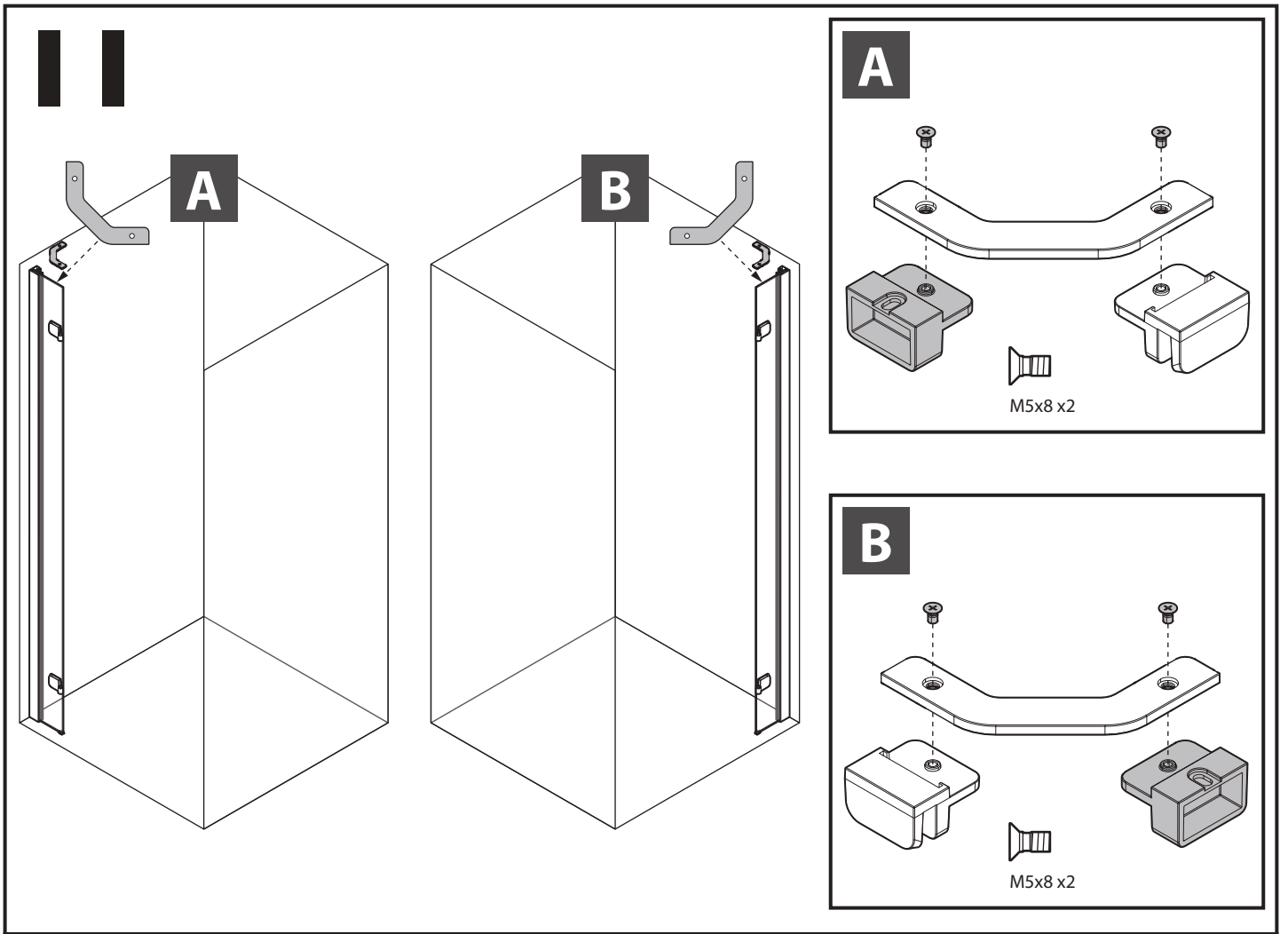


10

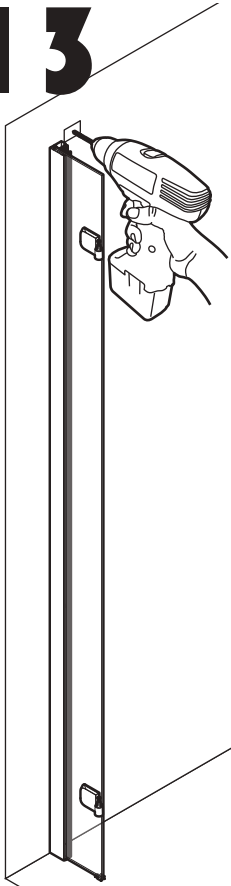


Ø3 mm

3,5c9,5 x3



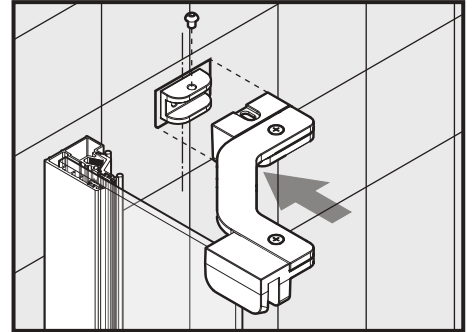
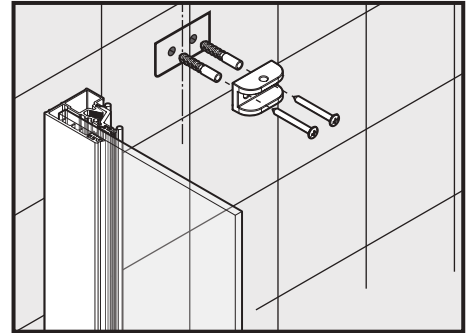
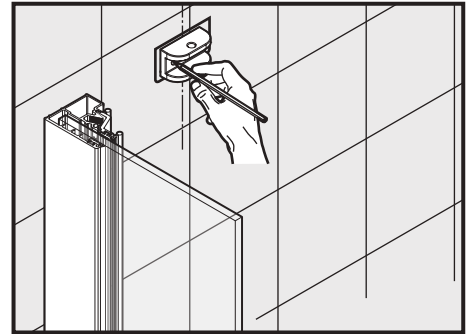
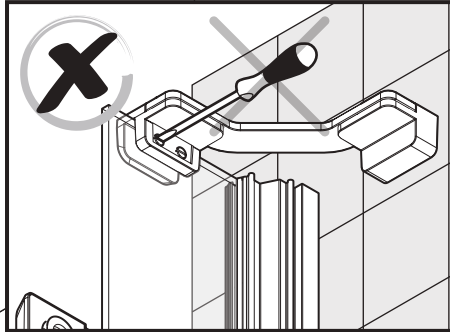
13



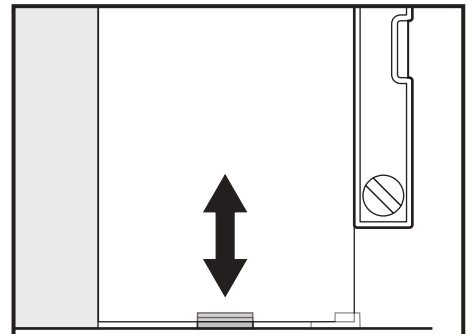
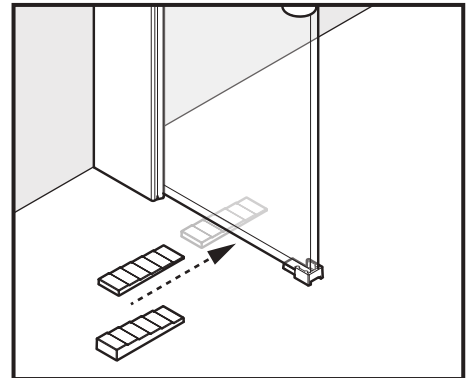
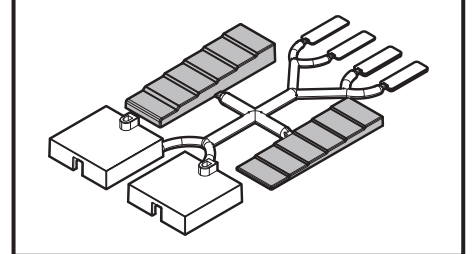
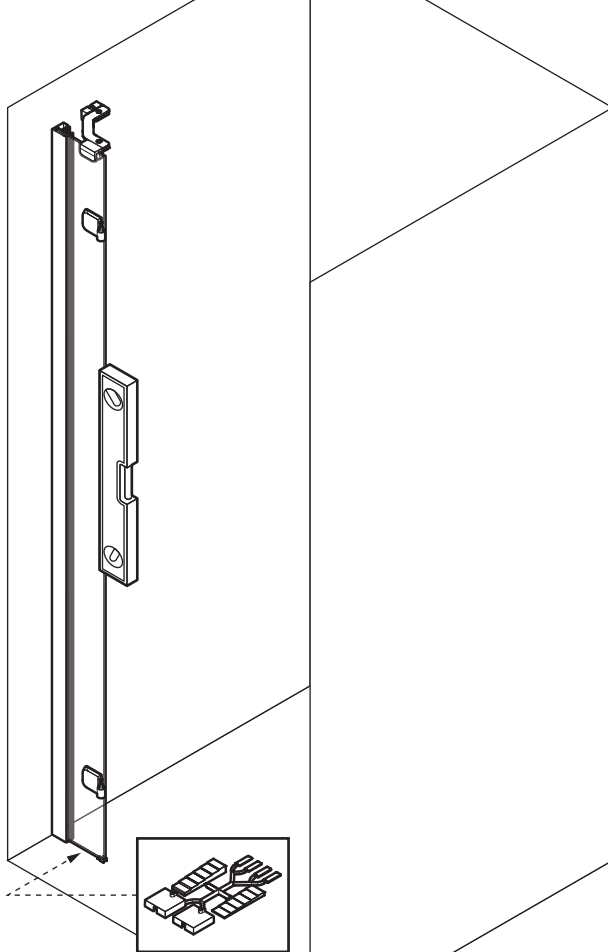
 ø6 mm

 4x35 x4

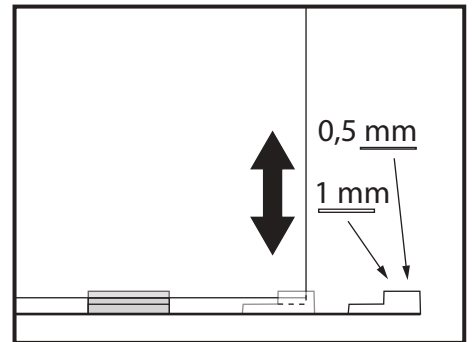
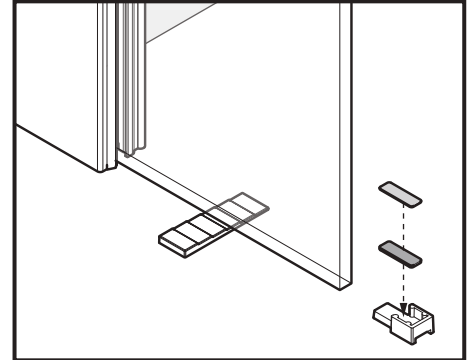
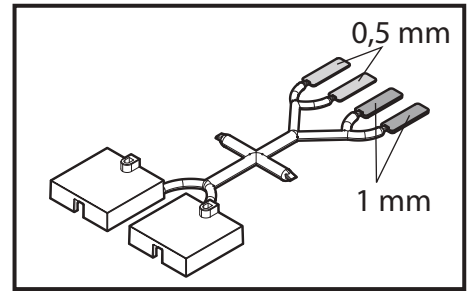
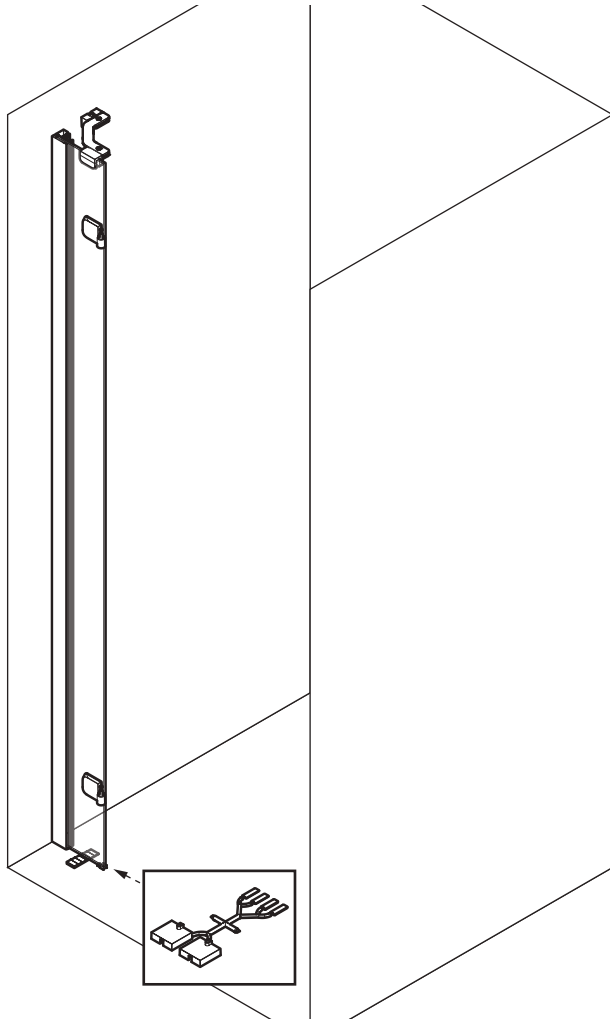
 S6 x4



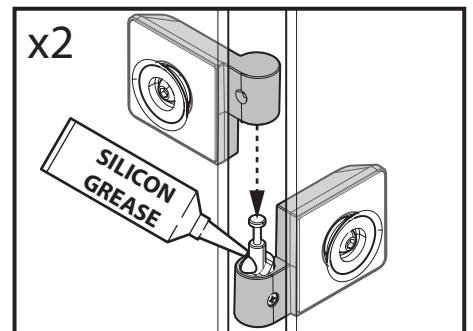
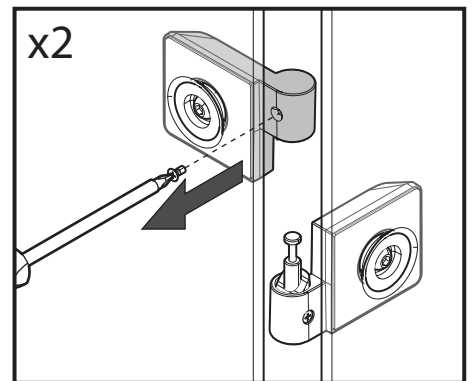
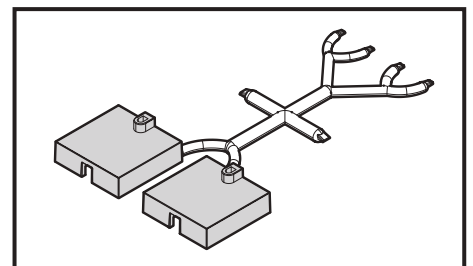
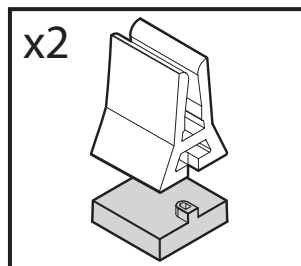
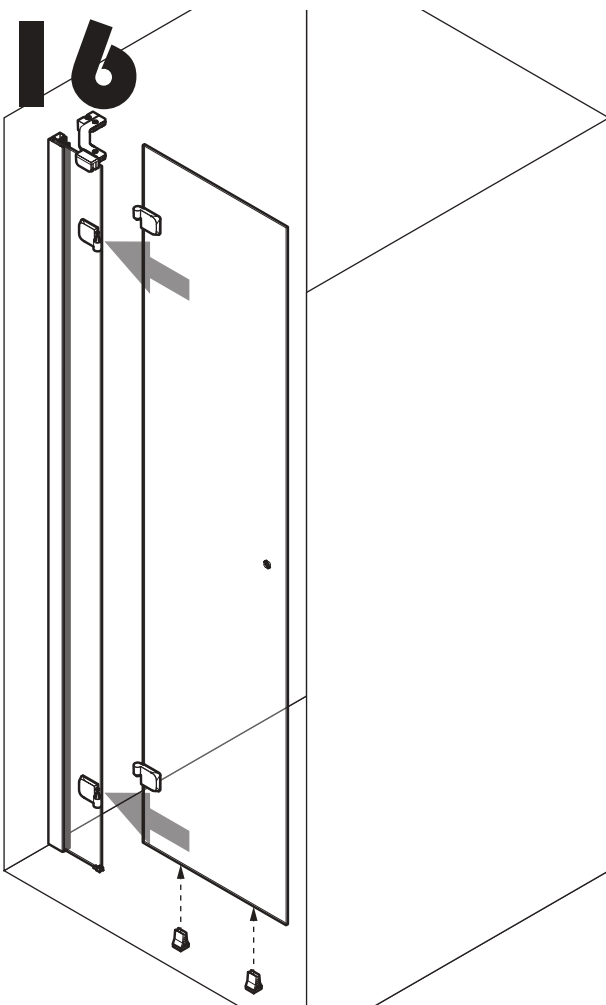
14



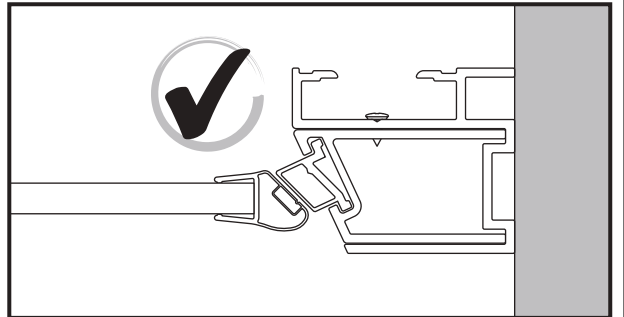
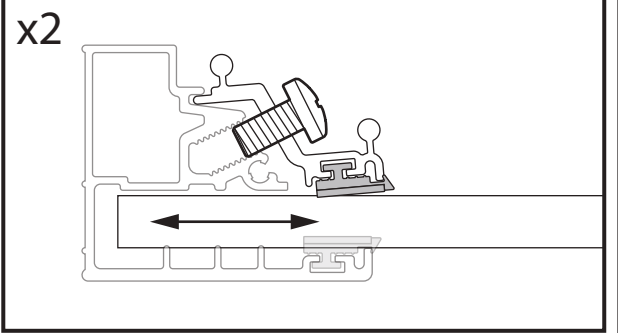
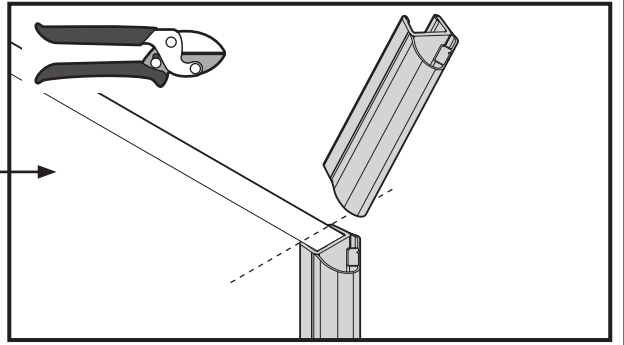
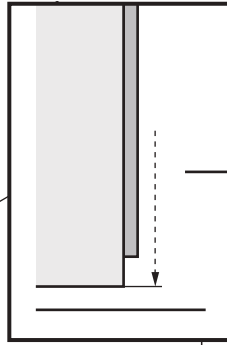
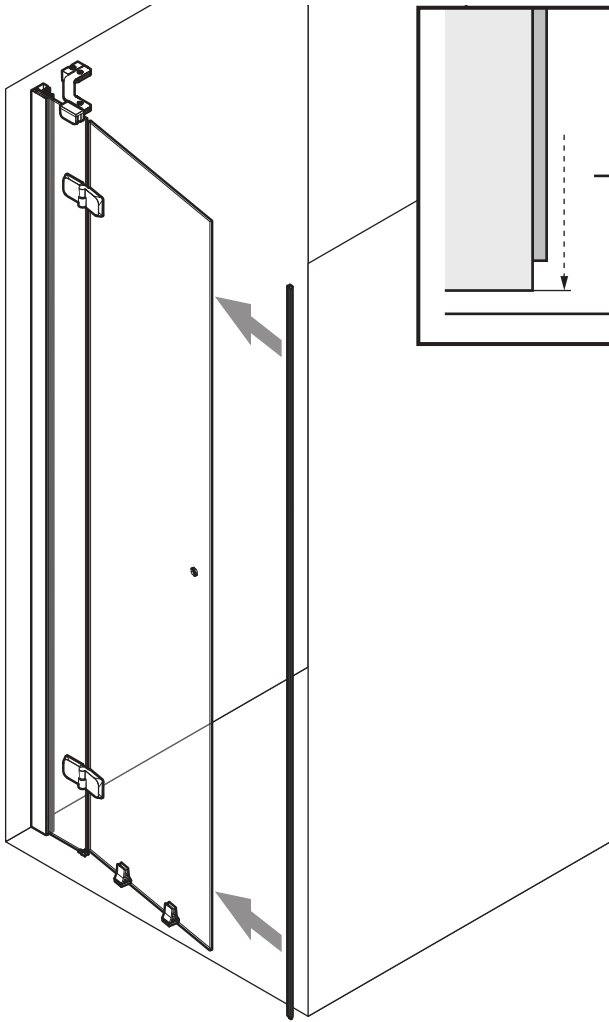
15



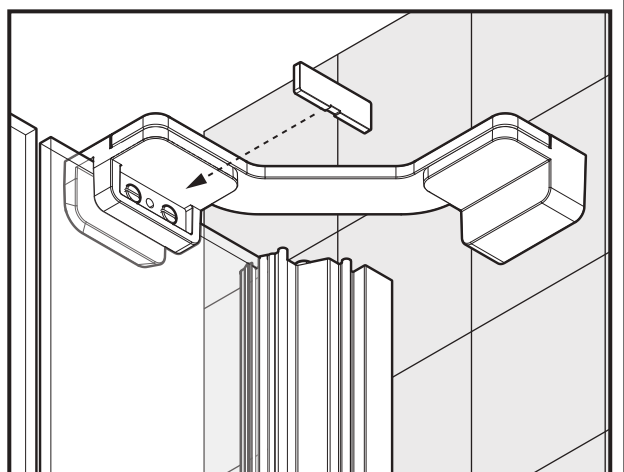
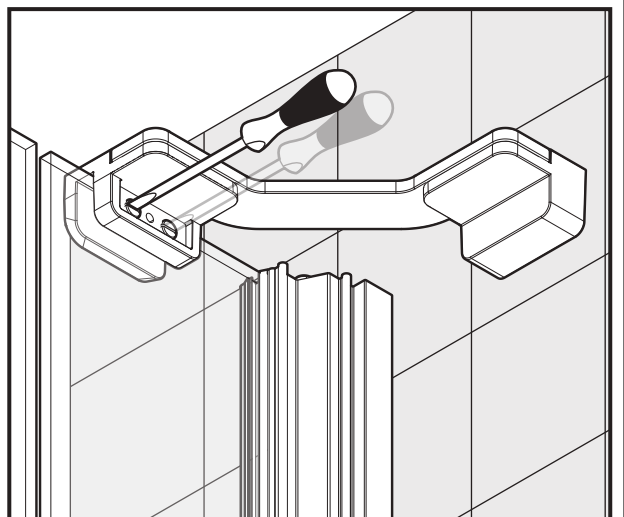
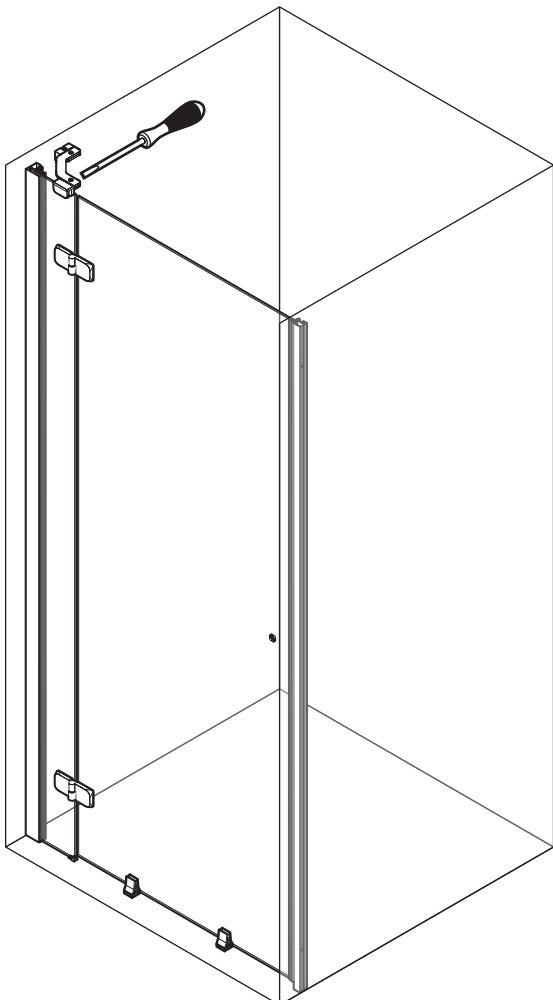
16



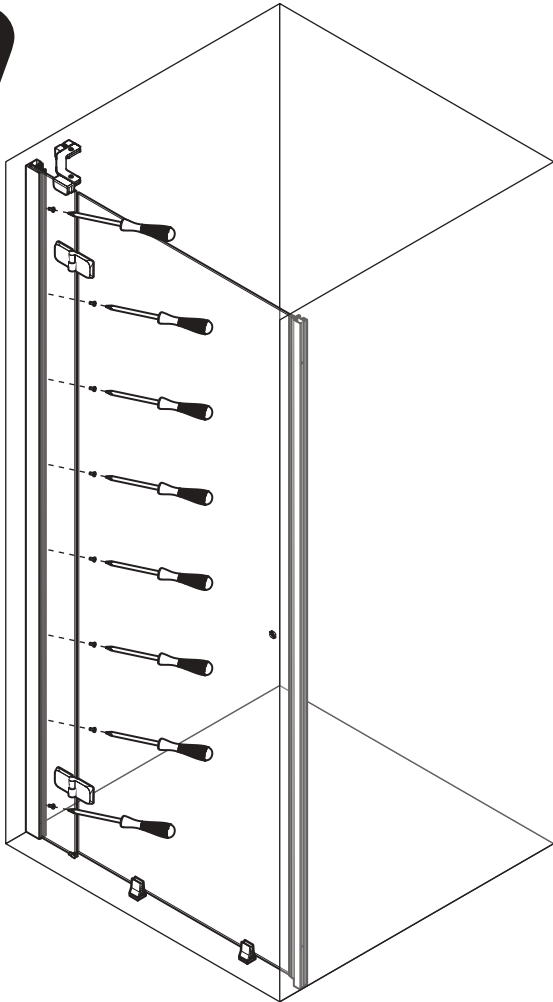
17



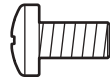
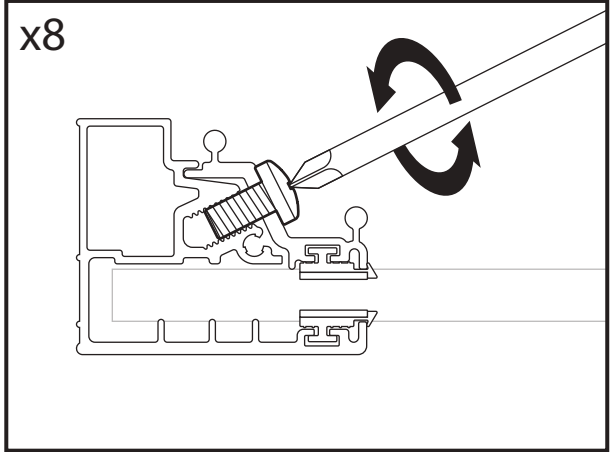
18



19

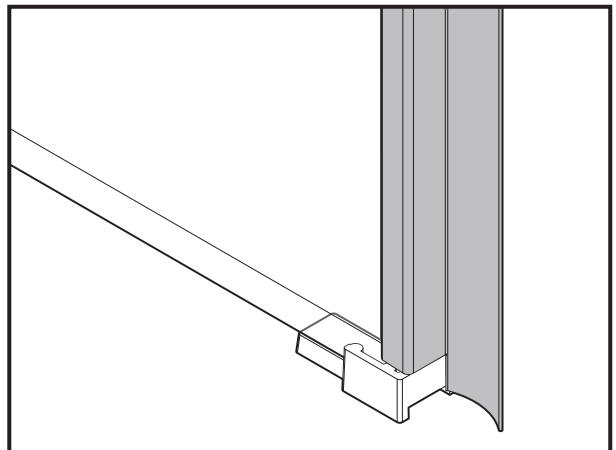
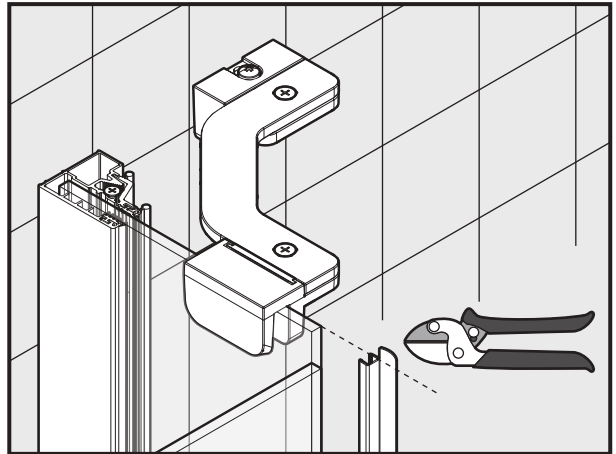
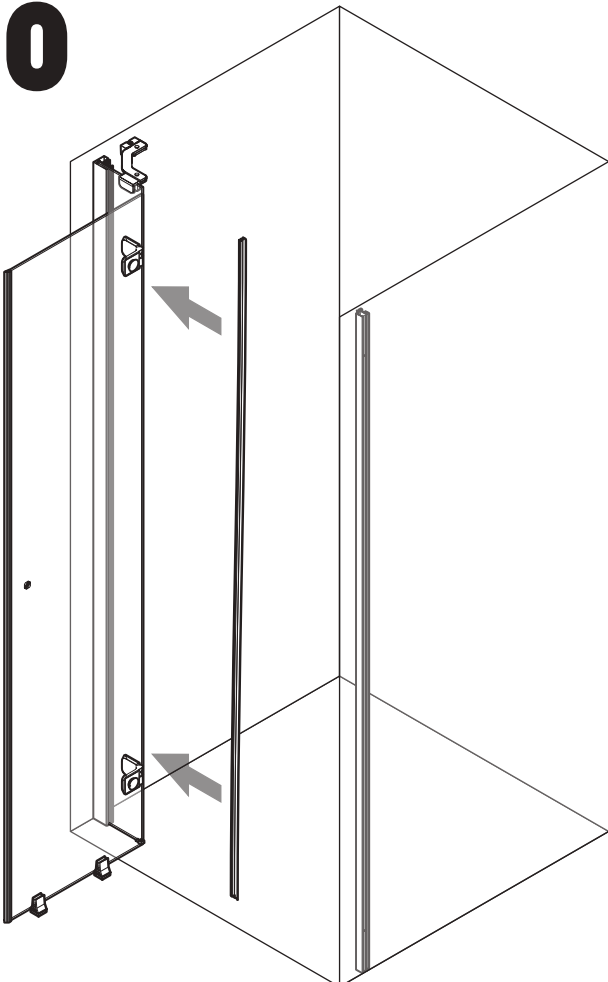


x8

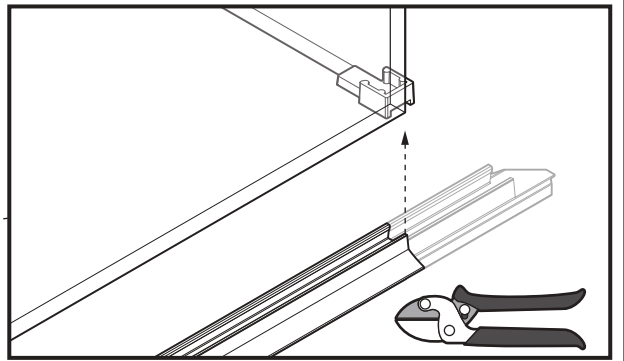
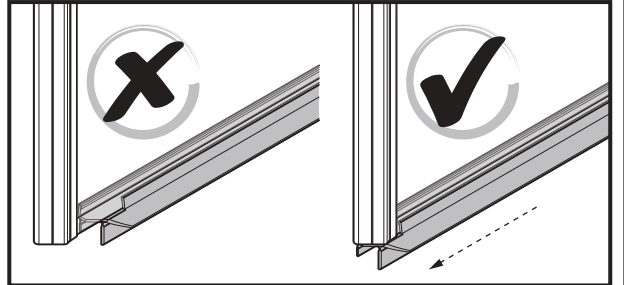
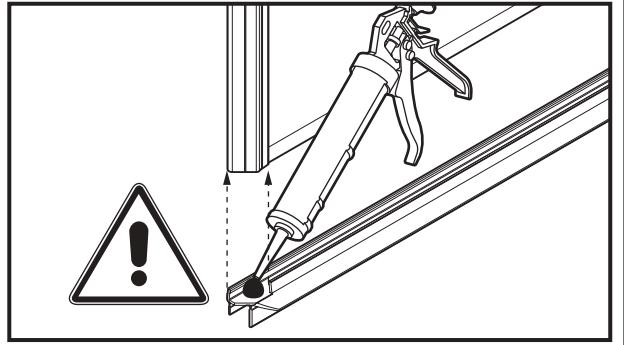
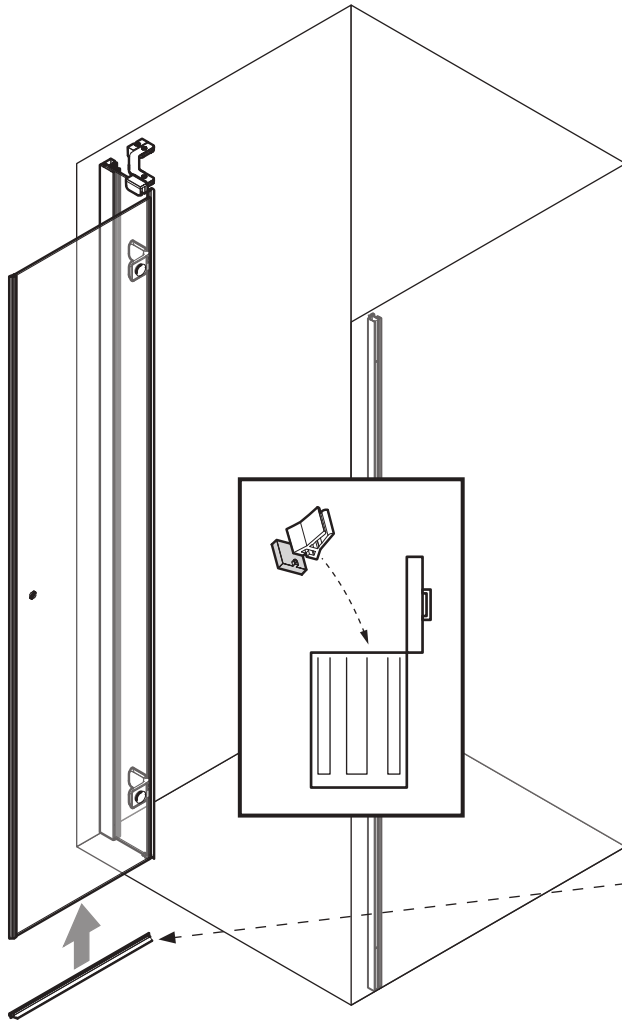


M6x12 x8

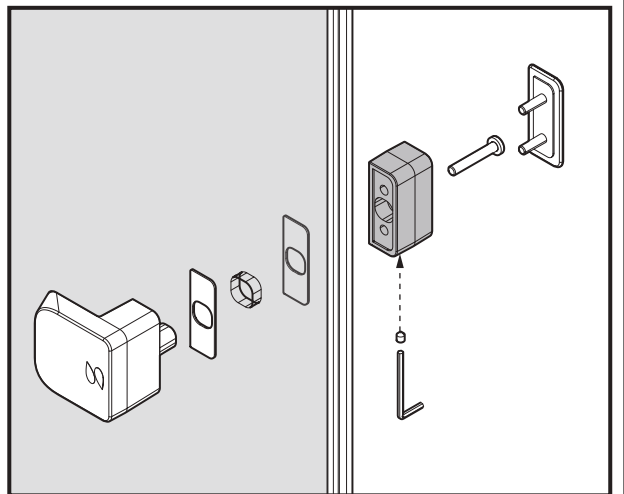
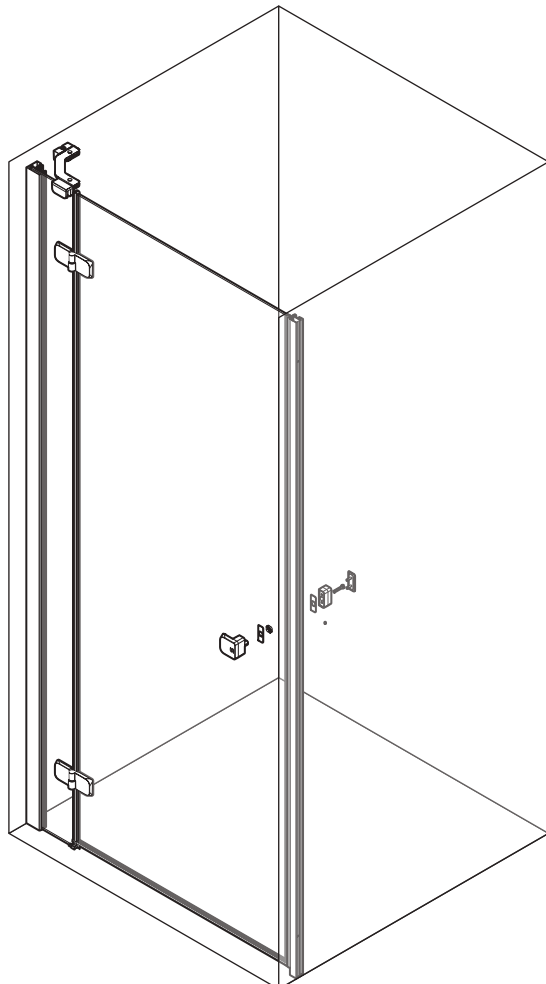
20



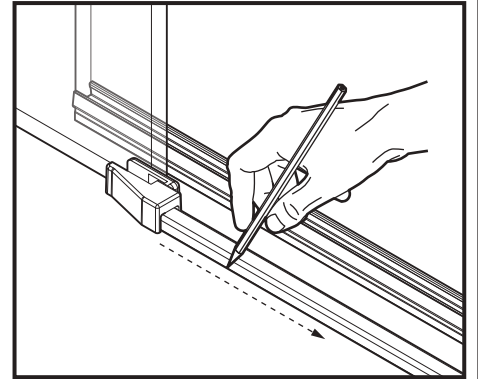
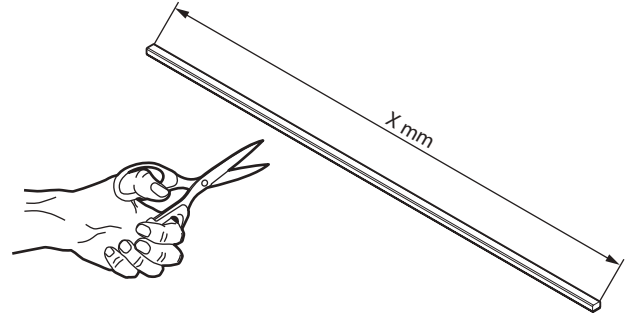
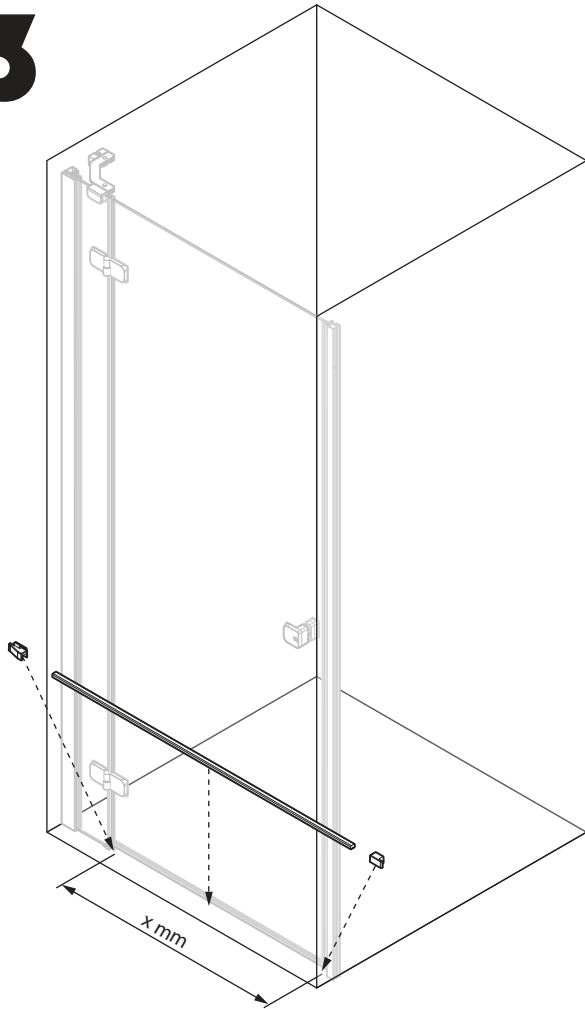
21



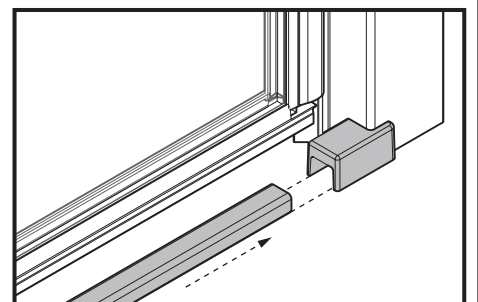
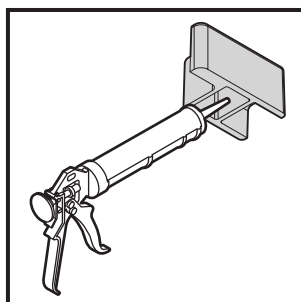
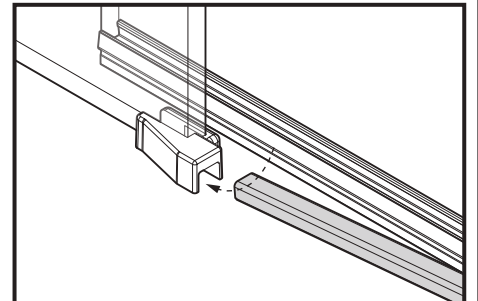
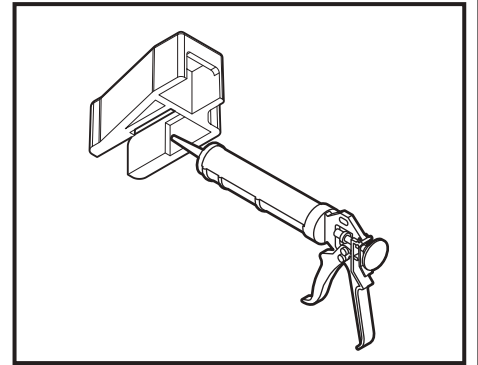
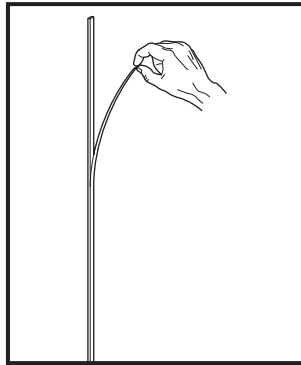
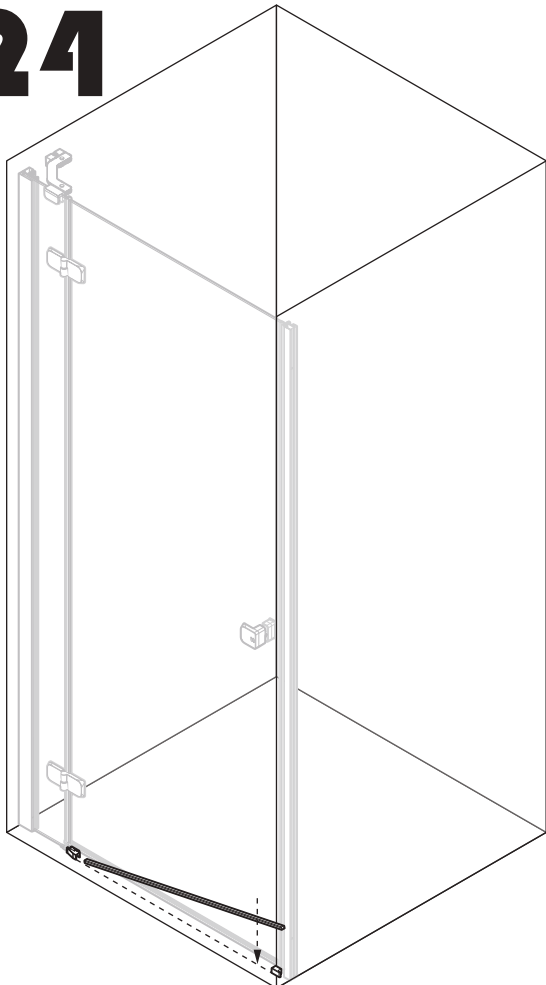
22



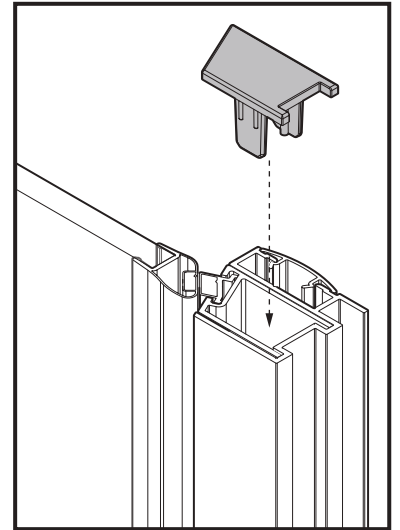
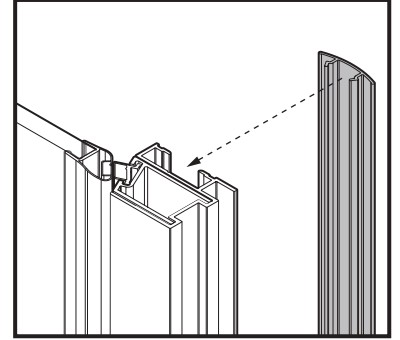
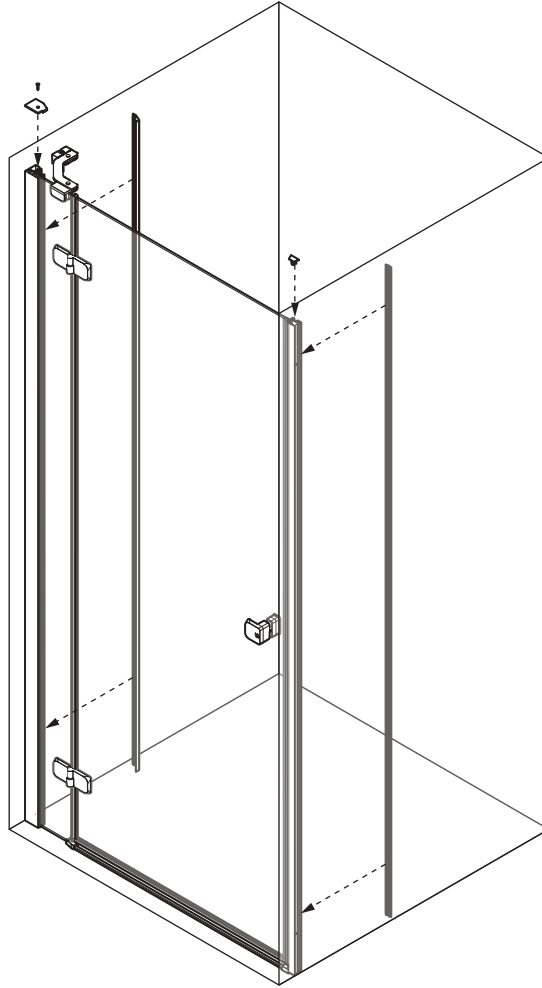
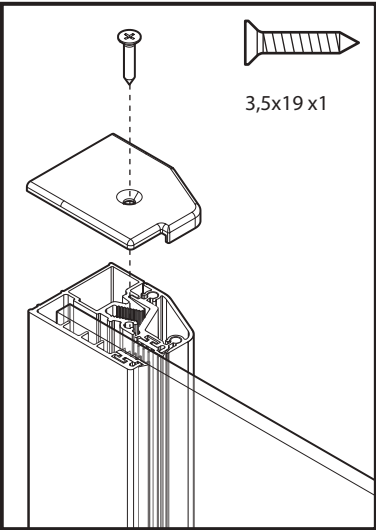
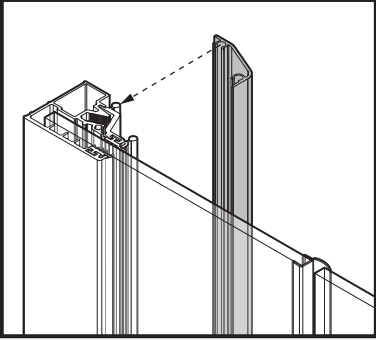
23



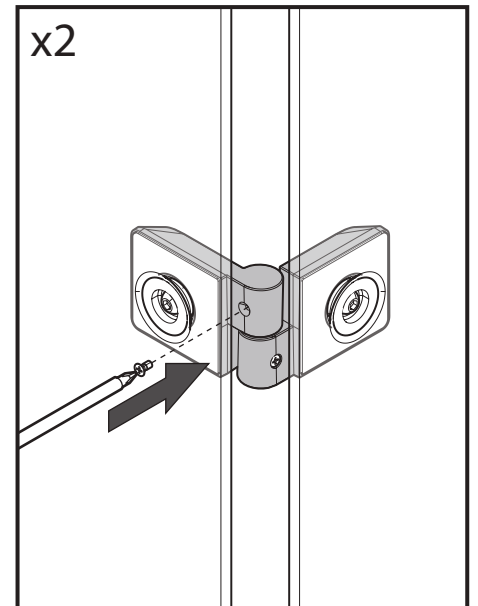
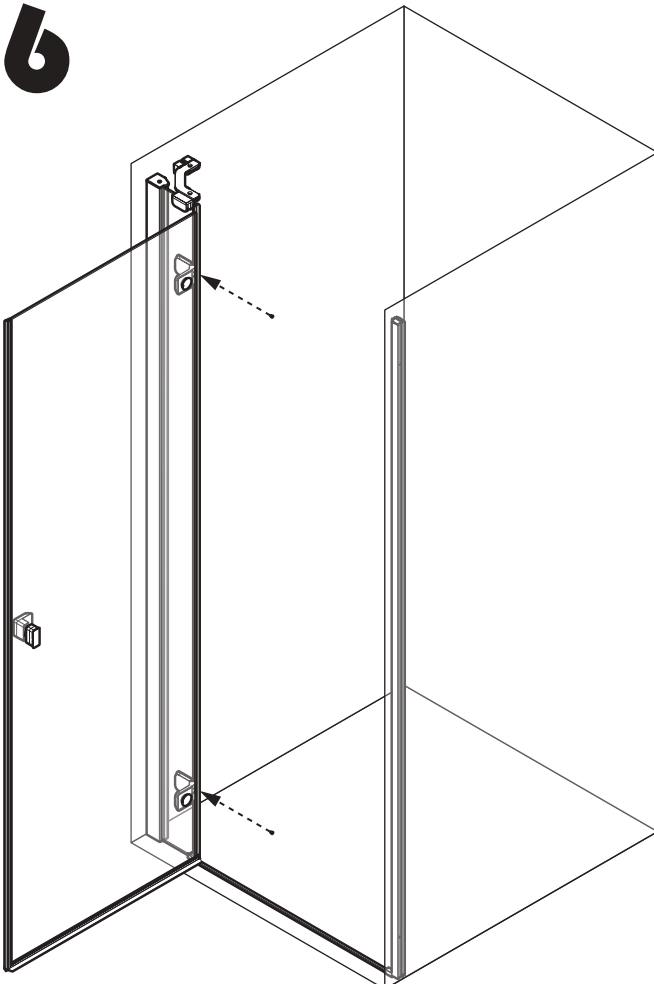
24



25

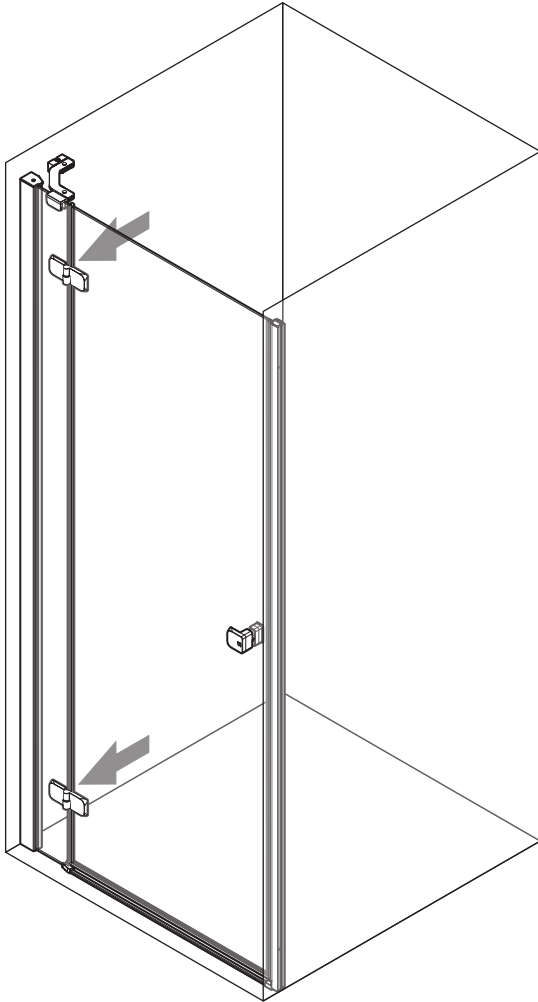


26

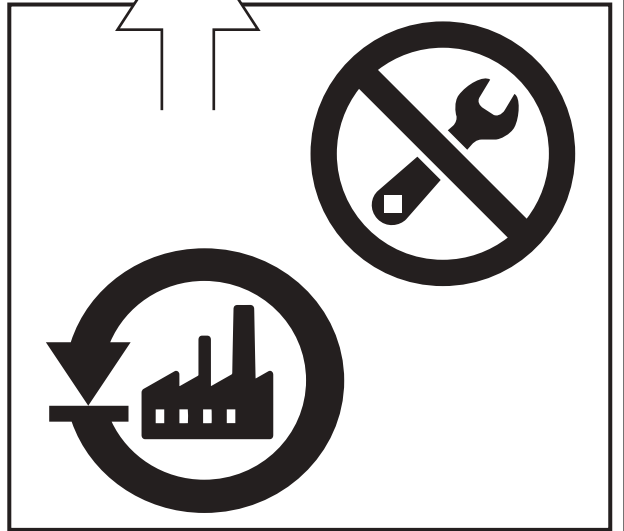
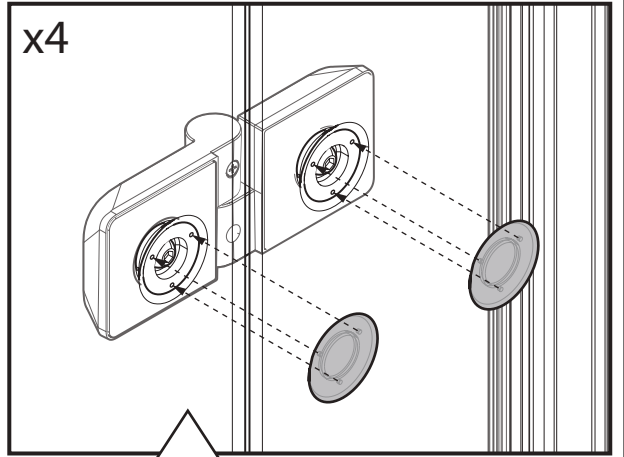


 M3x6 x2

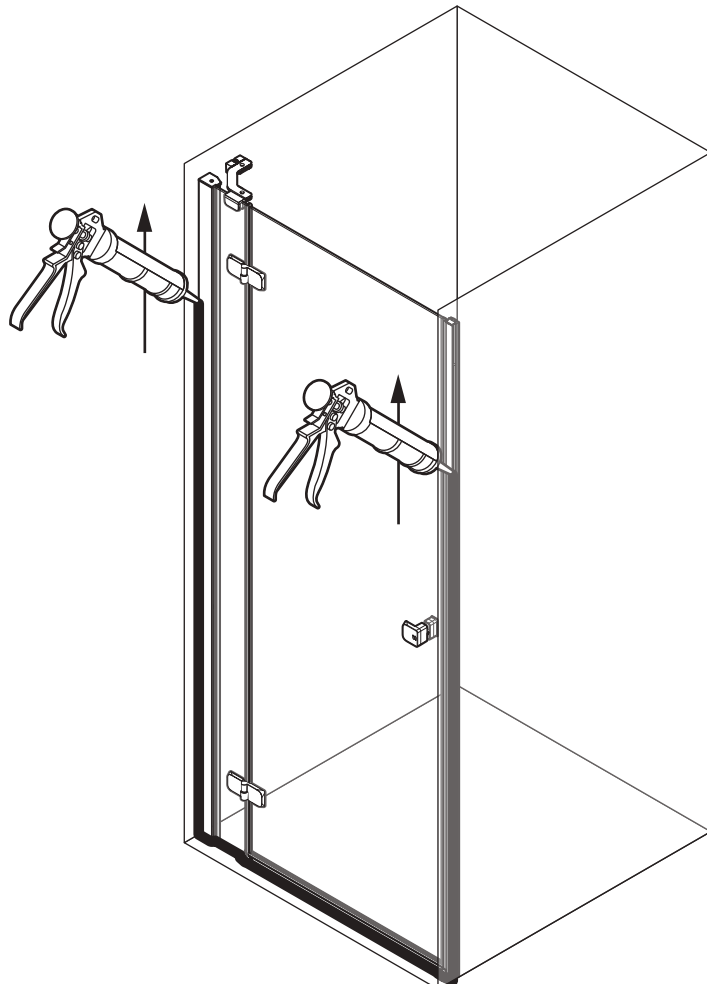
27



x4



28



29