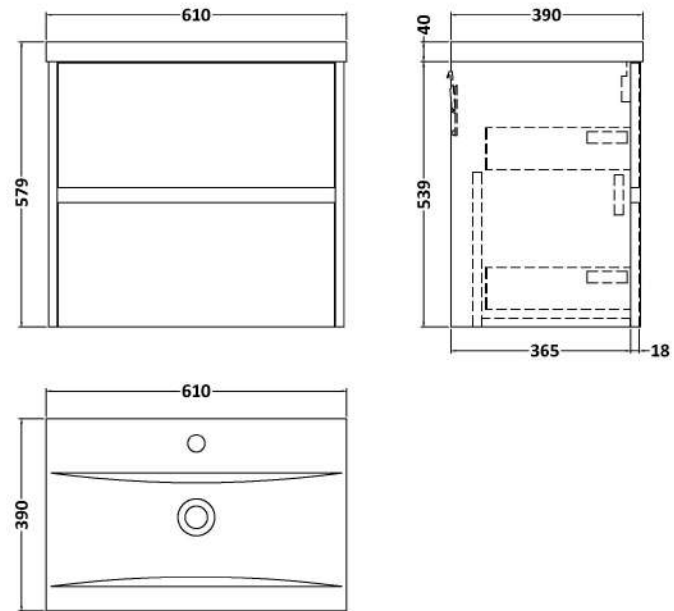


**Sales Code:** HAV804A

**Description:** 600 W/H 2-Drawer Unit & Basin 1

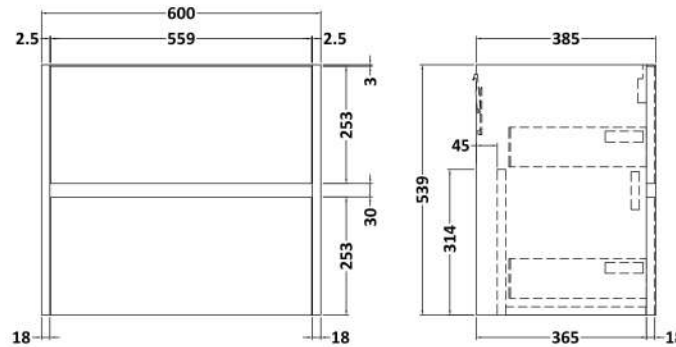


**Packaging Details**

Barcode: 5056462646480

Sales Code: NPH824

Description: 600 W/H 2-Drawer Unit (385 Deep)



### Product Dimensions

|                   |      |
|-------------------|------|
| Height (mm):      | 539  |
| Width (mm):       | 600  |
| Depth (mm):       | 385  |
| Nett Weight (kg): | 22.5 |

### Packaging Dimensions

|                    |     |
|--------------------|-----|
| Height (mm):       | 560 |
| Width (mm):        | 620 |
| Depth (mm):        | 405 |
| Gross Weight (kg): | 23  |

### Packaging Data

|               |                     |
|---------------|---------------------|
| Box Colour:   | Brown Cardboard Box |
| Box Qty:      | 1                   |
| Label Size:   | 100 x 50            |
| Label Colour: | White Label         |
| Label Qty:    | 2                   |

### Outer Box Dimensions (If Applicable)

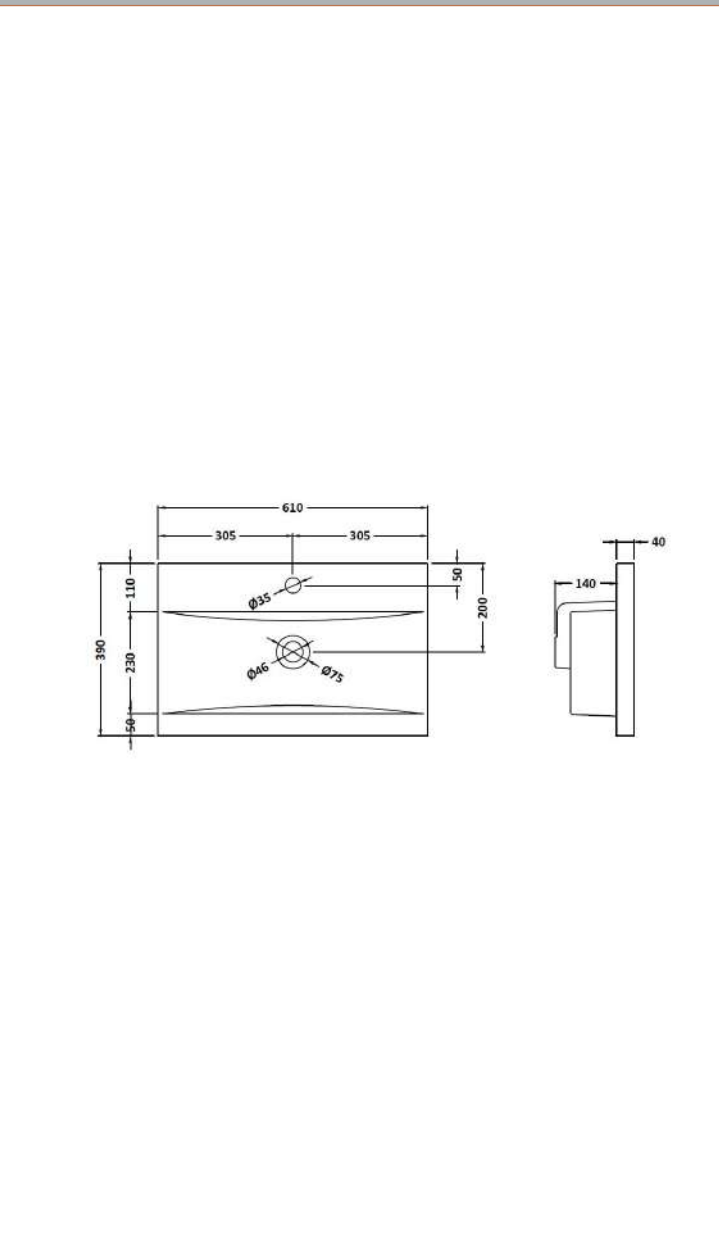
|                    |               |
|--------------------|---------------|
| Height (mm):       |               |
| Width (mm):        |               |
| Depth (mm):        |               |
| Gross Weight (kg): |               |
| Barcode:           | 5056462670799 |

### Product Details

|                          |                                |
|--------------------------|--------------------------------|
| Country of Origin:       | United Kingdom                 |
| Fitting Instruction:     | No                             |
| CE & UKCA:               | N/A                            |
| FSC Certified Materials: | Yes                            |
| Colour:                  | Halifax Oak                    |
| Construction Method:     | Cam & Wood Dowel               |
| Construction Type:       | Rigid                          |
| Cabinet Finish:          | MFC Textured Woodgrain         |
| Fascia Finish:           | MFC Textured Woodgrain         |
| Cabinet Thickness (mm):  | 18                             |
| Fascia Thickness (mm):   | 18                             |
| Drawer Included:         | Yes                            |
| Drawer Type:             | 80mm High Metal S/C Inc Galler |
| No of Shelves:           | 0                              |
| Hinge Type:              | Not Applicable                 |
| Hinge Included:          | No                             |
| Adjustable Legs:         | No                             |
| Fixings Included:        | Yes                            |
| Handle Style:            | Not Applicable                 |
| Waste Shroud:            | Yes                            |
| Handle Included:         | No, Not Required               |
| Handle Type:             | Handleless                     |

Sales Code: NVM013

Description: 600 Mid-Edged Basin 1 Th



|  |                               |                        |
|--|-------------------------------|------------------------|
| <b>Product Dimensions</b>  |                               |                        |
| Height (mm):   | 180                           |                        |
| Width (mm):  | 610                           |                        |
| Depth (mm):  | 390                           |                        |
| Nett Weight (kg):  | 11                            |                        |
| <b>Packaging Dimensions</b>  |                               |                        |
| Height (mm):   | 200                           |                        |
| Width (mm):  | 410                           |                        |
| Depth (mm):  | 630                           |                        |
| Gross Weight (kg):   | 11                            |                        |
| <b>Packaging Data</b>  |                               |                        |
| Box Colour:  | Brown Cardboard Box - Printed |                        |
| Box Qty:   | 1                             |                        |
| Label Size:  | 100 x 50                      |                        |
| Label Colour:  | White Label                   |                        |
| Label Qty:   | 2                             |                        |
| <b>Outer Box Dimensions (If Applicable)</b>                                  |                               |                        |
| Height (mm):   |                               |                        |
| Width (mm):  |                               |                        |
| Depth (mm):  |                               |                        |
| Gross Weight (kg):   |                               |                        |
| Barcode:   | 5055369043415                 |                        |
| <b>Product Details</b>   |                               |                        |
| Country of Origin:   | China                         |                        |
| Fitting Instruction:   | No                            |                        |
| Certification: CE & UKCA:  | No                            | WRAS: N/A WRAS No: N/A |
| Product Material:  | Vitreous China                |                        |
| Fixing Supplied:   | No                            |                        |
| <b>Pans/Bidets:</b> Trap Style: Not Applicable Includes Seat: Not Applicable |                               |                        |
| <b>Seats:</b> Seat Type: Not Applicable Material: Not Applicable             |                               |                        |
| Function: Not Applicable Hinge Type: Not Applicable                          |                               |                        |
| Hinge Material: Not Applicable   |                               |                        |
| <b>Cisterns:</b> Operating Type: Not Applicable Fittings: Not Applicable     |                               |                        |
| Lever Type: Not Applicable   |                               |                        |
| <b>Basins:</b> Tap Hole: One Taphole Chain Stay Hole: No                     |                               |                        |
| Template: Not Required Waste Type Req: Slotted                               |                               |                        |
| Overflow Inc: Yes Overflow Cover: Yes  |                               |                        |
| Inner Bowl Depth (mm): 125mm   |                               |                        |