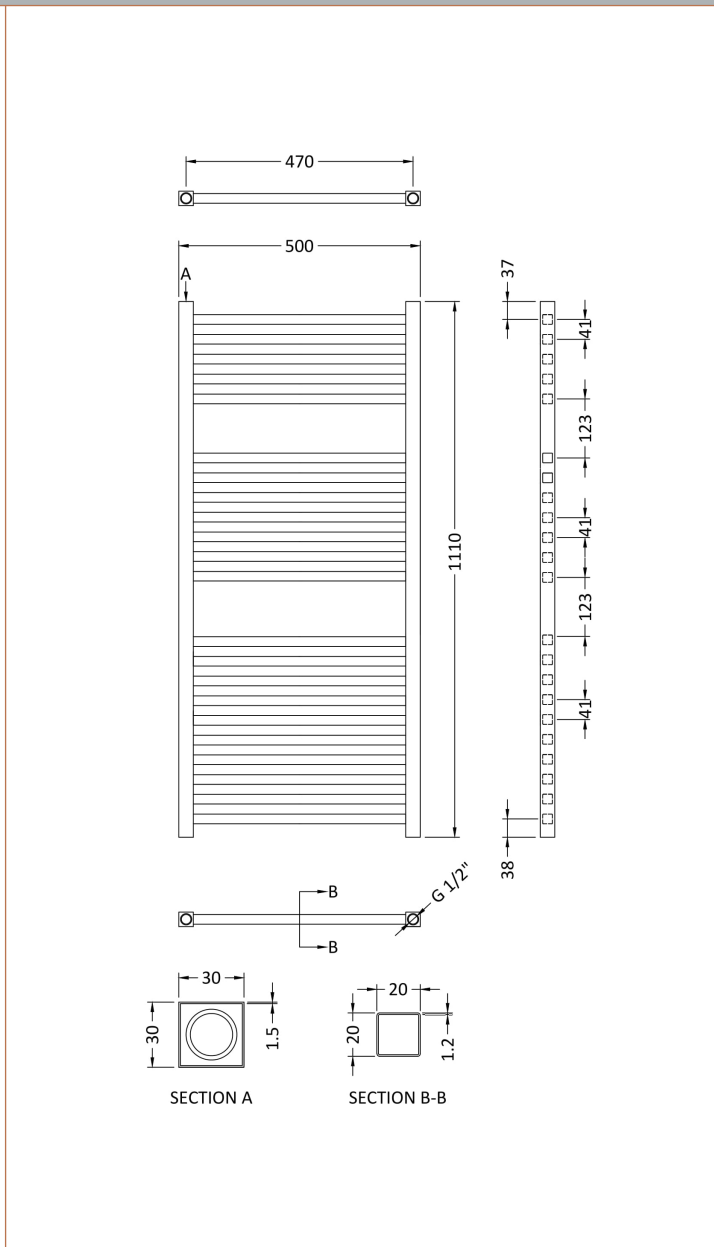


Sales Code: HL153

Description: Square Anthracite Rad 1110X500 (500 W)



Product Dimensions	
Height (mm):	1100
Width (mm):	500
Depth (mm):	30
Length (mm):	
Nett Weight (kg):	13.2
Packaging Dimensions	
Height (mm):	55
Width (mm):	525
Length (mm):	1285
Gross Weight (kg):	14.95
Packaging Data	
Box Colour:	Brown Cardboard Box
Box Qty:	1
Label Size:	190 x 75
Label Colour:	White Label
Label Qty:	1
Outer Box Dimensions (If Applicable)	
Height (mm):	
Width (mm):	
Length (mm):	
Gross Weight (kg):	
Barcode:	5055275893821
Product Details	
Country of Origin:	Italy
Fitting Instruction:	No
Certification:	CE & UKCA: RoHS: Yes WEEE: Yes
Colour/Finish:	
Product Material:	
Heat Element Wattage:	
Heating Element Wattage Compatible:	
BTU Outputs:	30°C / 50°C / 1706 60°C /
Thermal Outputs: (Watts)	30°C / 50°C / 60°C /
Pipe Centres - If Vertical:	
Pipe Centres - If Horizontal:	
Max Projection:	
Tube Diameter:	
Packaging Volume (L):	
Wall to Centre of Tappings:	
Floor to Centre of Tappings:	
Dual Fuel:	
IP Rating:	Ip64 Ingress Protection