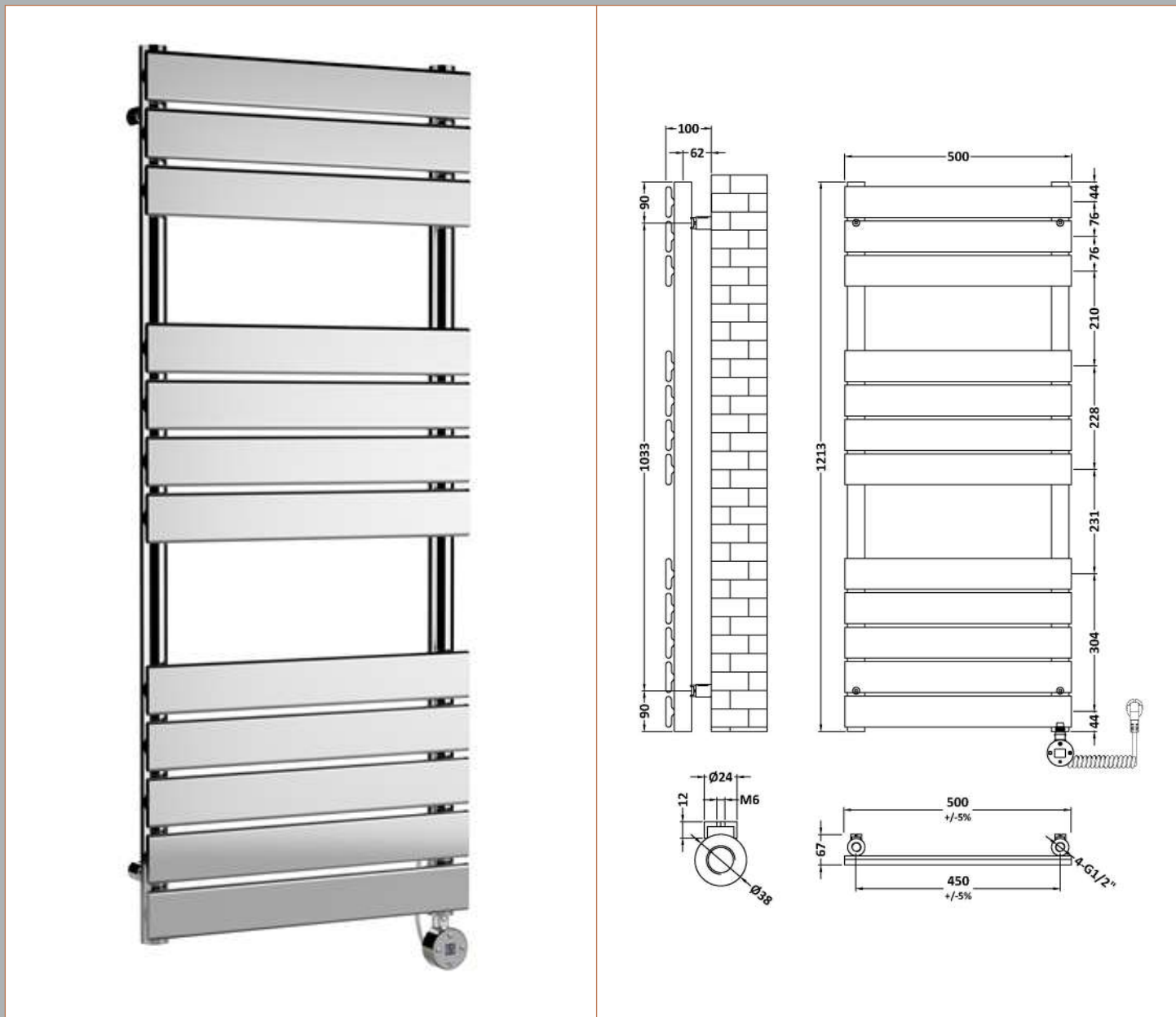


Sales Code: HL359

Description: Electric Flat Towel Rail 12 Bar 1213X500



Product Dimensions

Height (mm):	0
Width (mm):	0
Depth (mm):	0
Length (mm):	0
Nett Weight (kg):	23

Packaging Dimensions

Height (mm):	1364
Width (mm):	600
Length (mm):	105
Gross Weight (kg):	27

Packaging Data

Box Colour:	Brown Cardboard Box
Box Qty:	0
Label Size:	0 x 0
Label Colour:	White Label
Label Qty:	0

Outer Box Dimensions (If Applicable)

Height (mm):	
Width (mm):	
Length (mm):	
Gross Weight (kg):	
Barcode:	5056462604046

Product Details

Country of Origin:	China		
Fitting Instruction:	Yes		
Certification:	CE & UKCA: Yes	RoHS: Yes	WEEE: Yes
Colour/Finish:	Chrome		
RAL No:	N/A		
Product Material:	Steel		
Heat Element Wattage:	600 W		
Heating Element Wattage Compatible:	Yes		
BTU Outputs:	30°C / 788	50°C / 1484	60°C / 1859
Thermal Outputs: (Watts)	30°C / 231	50°C / 435	60°C / 545
Pipe Centres - If Vertical:	450 mm		
Pipe Centres - If Horizontal:	N/A		
Max Projection:	110 mm		
Tube Diameter:	70		
Packaging Volume (L):			
Wall to Centre of Tappings:	>200		
Floor to Centre of Tappings:	62-72mm		
Dual Fuel:	No		
IP Rating:	Ip64 Ingress Protection		