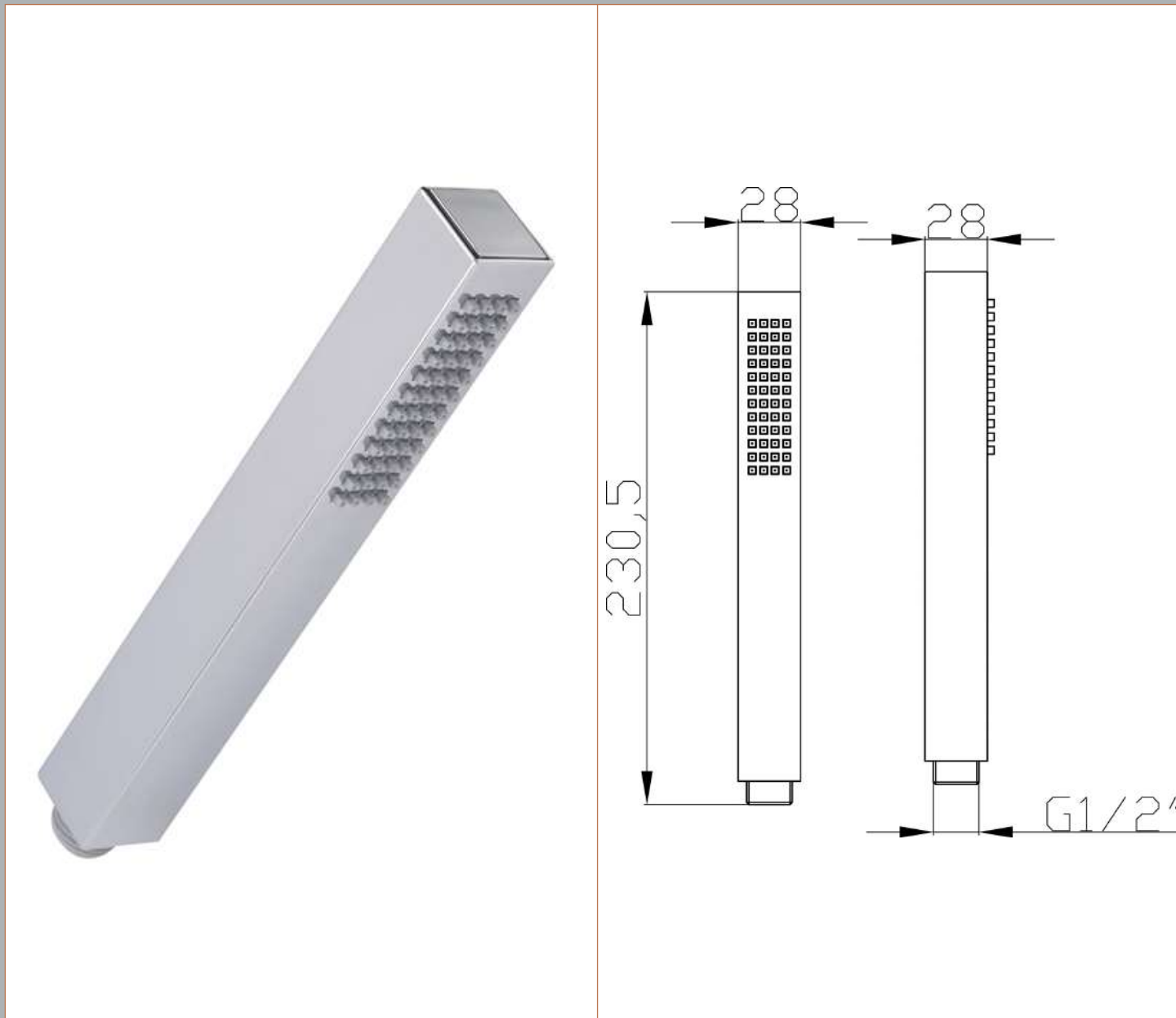


Sales Code: H0310

Description: Minimalist Square Handset



### Product Dimensions

|                   |      |
|-------------------|------|
| Length (mm):      |      |
| Width (mm):       | 29   |
| Height (mm):      | 231  |
| Depth (mm):       | 29   |
| Nett Weight (kg): | 0.13 |

### Packaging Dimensions

|                    |      |
|--------------------|------|
| Length (mm):       | 40   |
| Width (mm):        | 40   |
| Height (mm):       | 250  |
| Gross Weight (kg): | 0.13 |

### Packaging Data

|               |                     |
|---------------|---------------------|
| Box Colour:   | White Cardboard Box |
| Box Qty:      | 0                   |
| Label Size:   | 0 x 0               |
| Label Colour: | White Label         |
| Label Qty:    | 0                   |

### Outer Box Dimensions (If Applicable)

|                    |               |
|--------------------|---------------|
| Length (mm):       |               |
| Width (mm):        | 420           |
| Height (mm):       | 230           |
| Depth (mm):        | 520           |
| Gross Weight (kg): | 13            |
| Barcode:           | 5055369010530 |

### Product Details

|                           |  |
|---------------------------|--|
| Country of Origin:        | China  |
| Fitting Instruction:      | No   |
| Product Material:         | ABS Plastic  |
| Mount Type:               | Not Applicable   |
| Outlet Elbow Supplied:    | No   |
| Easy Clean:               | No   |
| Head Included:            | No   |
| Handset Included:         | Yes  |
| Body Jets Included:       | No   |
| No of Body Jets:          | Not Applicable   |
| Operating Pressure (bar): | 0.1  |
| Valve/Cartridge Type:     | Not Applicable   |
| Flow Rates (L/min):       | 0.1 bar: N/A 0.5 bar: N/A 1 bar: N/A 2 bar: N/A 3 bar: N/A |
| TMV2 Approved:            | No Approval No: N/A  |
| TMV3 Approved:            | No Approval No: N/A  |
| WRAS Approved:            | No Approval No: N/A  |
| Head Function:            | Not Applicable   |
| Handset Function:         | Single Setting   |
| Body Jet Info:            | Not Applicable   |
| Pipe Size:                | Not Applicable   |
| Pipe Centres:             | N/A  |
| Colour/Finish:            | Chrome   |
| Hose Included:            | No   |
| No. of Outlets:           | N/A  |