

PRODUCT DATA SHEET

BRITTON®



PRODUCT CODE

HOX416FF

RANGE

Hoxton 2.0


DESCRIPTION

Hoxton 2.0 Floor Standing Mono Bath Shower Mixer Brushed Brass

CATEGORY	Brassware
WARRANTY DETAILS	15 Years
COLOUR	Brushed Brass
FINISH APPLICATION	PVD
PRIMARY MATERIAL	Brass
INSTALL TYPE	Floor Standing
PRODUCT WIDTH MM	230
PRODUCT HEIGHT MM	1100
PRODUCT DEPTH MM	310
PRODUCT NET WEIGHT KG	5.5
MINIMUM PRESSURE (BAR)	1
MAX WORKING PRESSURE (BAR)	5

STANDARDS	BS EN 200:2008, BS EN 817:2008
NUMBER OF OUTLETS	2
NUMBER OF FUNCTIONS	2
HEADWORK	40mm Single lever ceramic cartridge
SPOUT PROJECTION	221
SWIVEL SPOUT	No
INLET CONNECTIONS THREAD	G3/4"
OUTLET CONNECTIONS THREAD	M24x1
FLOW REGULATOR	Neoperl Honeycomb Aerator
WASTE INCLUDED	No
ANTI-SCALD	No
ENERGY SAVING	No
SHOWER HOSE & HANDSET ARE INCLUDED	Yes

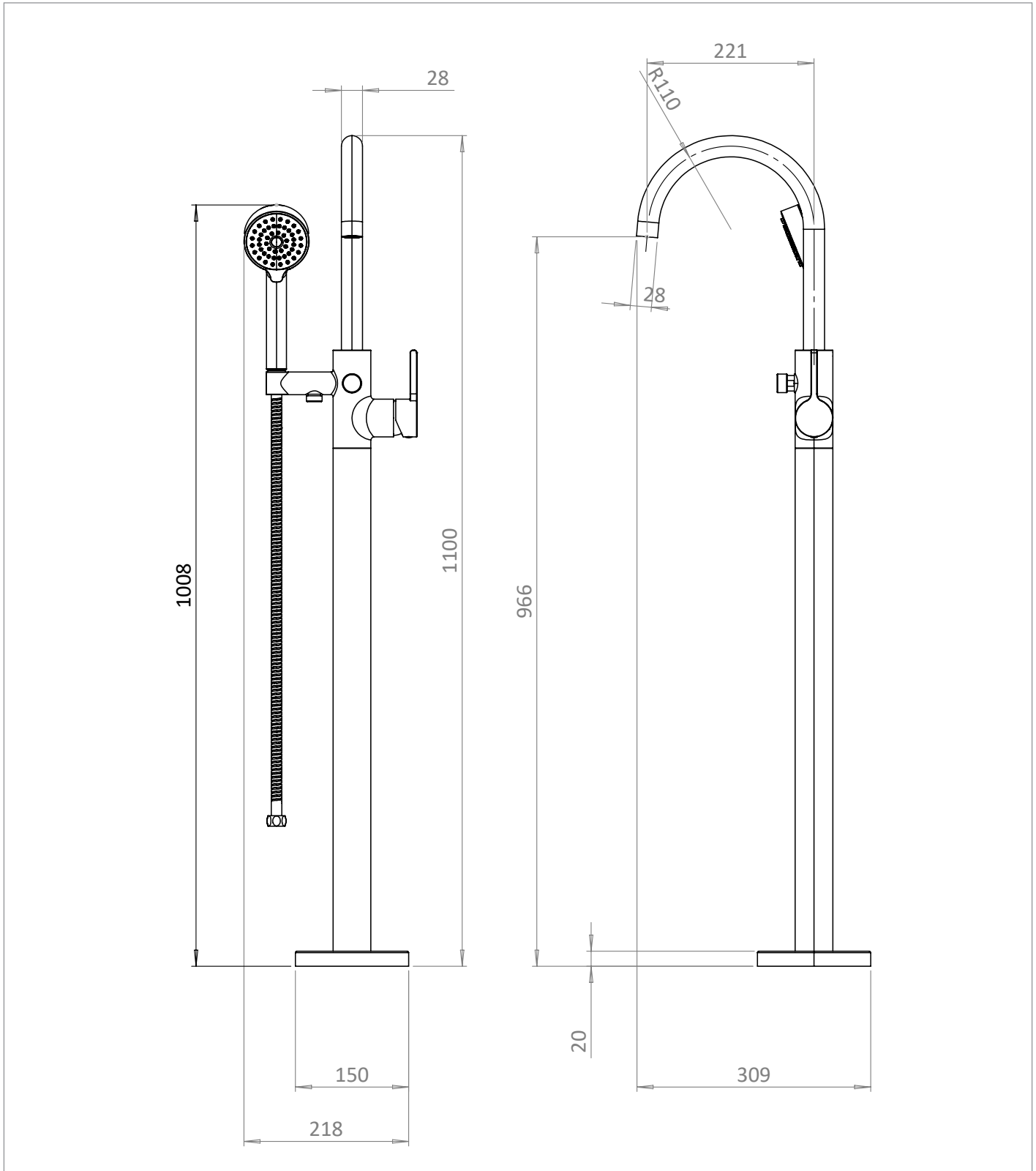
PRESSURE (BAR)	0.2	0.5	1	2	3	4	5
PRIMARY FLOWRATE			14.622	22.316	28.171	33.259	37.916
HANDSET FLOWRATE			7.872	12.256	15.446	18.396	20.834
MASSAGE FLOW RATE							
AIR FLOW RATE							
WIRE FLOW RATE							
WATERFALL FLOW RATE							
MIST FLOW RATE							
HANDSPRAY FLOW RATE							

 Part of the Bathroom Brands Group

TECHNICAL DIMENSIONS

Dimensions in mm unless otherwise specified.

Tolerances (per material type) apply.



SPARES LIST

Only the parts labelled are available as spares.

SPARES AVAILABLE UPON REQUEST