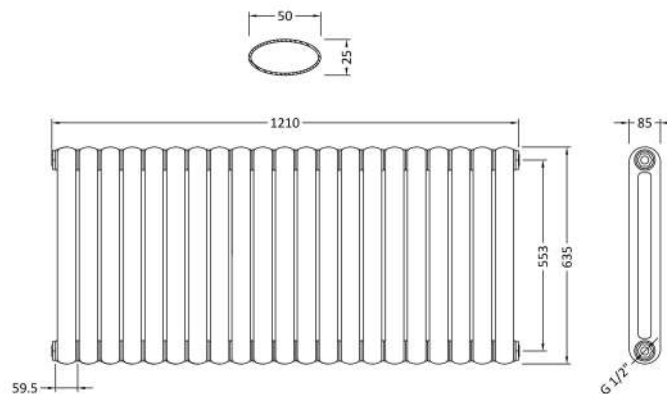


Sales Code: HSA003

Description: Salvia Radiator 635X1223mm



Product Dimensions

Height (mm):	635
Width (mm):	1210
Depth (mm):	85
Length (mm):	
Nett Weight (kg):	38

Packaging Dimensions

Height (mm):	110
Width (mm):	695
Length (mm):	1335
Gross Weight (kg):	40

Packaging Data

Box Colour:	White Cardboard Shrinkwrapped
Box Qty:	1
Label Size:	100 x 50
Label Colour:	White Label
Label Qty:	2

Outer Box Dimensions (If Applicable)

Height (mm):	
Width (mm):	
Length (mm):	
Gross Weight (kg):	
Barcode:	5055369023189

Product Details

Country of Origin:	China
Fitting Instruction:	No
Certification:	CE & UKCA: No RoHS: N/A WEEE: N/A
Colour/Finish:	White
RAL No:	9016
Product Material:	Steel
Heat Element Wattage:	Not Applicable
Heating Element Wattage Compatible:	N/A
BTU Outputs:	30°C / 2338 50°C / 4467 60°C / 5659
Thermal Outputs: (Watts)	30°C / 685 50°C / 1309 60°C / 1660
Pipe Centres - If Vertical:	1313mm
Pipe Centres - If Horizontal:	N/A
Max Projection:	110mm
Tube Diameter:	N/A
Packaging Volume (L):	
Wall to Centre of Tappings:	N/A
Floor to Centre of Tappings:	80
Dual Fuel:	N/A
IP Rating:	