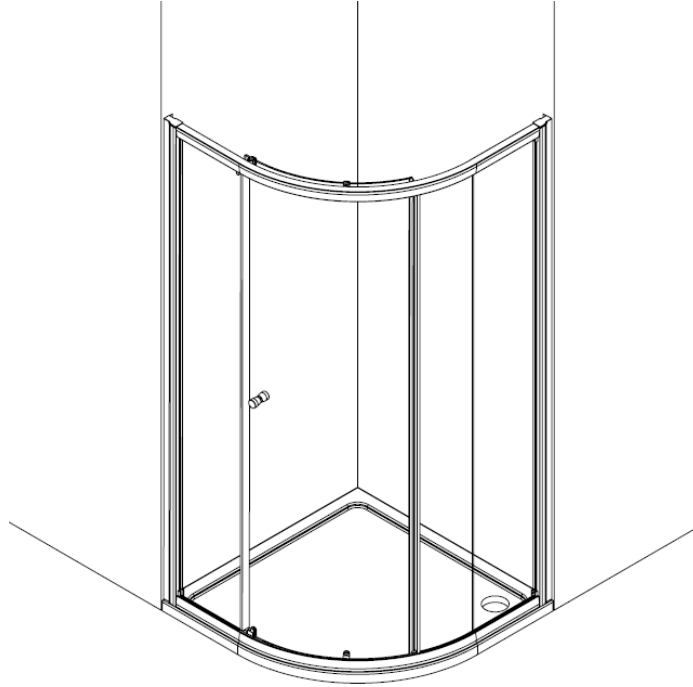


Haven6

One Door Quadrant

H3SQ#



Handling

Be aware toughened glass can shatter if not handled correctly. It should not be subjected to any sharp impact and it is essential to protect the glass by resting it on a soft protective surface during installation such as cardboard or carpeting. It is recommended to wear PPE at all times during installation.



Pre-Installation Checks

1. Please take time to read these instructions prior to installing your product, including the Tray Sizes section below.
2. Check you have the correct product, by looking at the labels on the side of the product packaging.
3. Check all the product components and fixing kits are in the box - [these are listed on the next page](#).
4. Please check the product for defects or damage, once the installation has commenced we cannot accept responsibility for any defects or damage.
5. Before you commence any drilling check there are no hidden electrical cables and/or water pipes.
6. No attempt should be made to re-work the toughened safety glass.
7. The installation of the product should be performed by two persons.
8. It is strongly recommended the product is fitted on a tiled surface or similar waterproof surface - which are tiled and grouted before product is installed.
9. It is strongly recommended that the walls the product is going to be installed on are vertical, and the floor/tray is level.
10. Please note that some natural misting may occur when you remove this product from its packaging, due to the addition of the glass protection pre-coating. If this does occur this can easily be removed with a soft, dry cloth.

Tray Sizes

Important: You MUST measure your tray before you proceed with installation. Please refer to the adjustment stated in the brochure or Step 1 of this instruction manual for the adjustment details for Haven6. If your tray exceeds this given value, you may need a bespoke product. Your Tray must be larger than the size given for Corner Adjustments.

Refer to Step 1 for a guide on how to measure your tray accurately before proceeding any further - Roman will not be liable if you begin installation without correctly measuring your tray, to the realisation it doesn't fit.

Consumer Guarantee

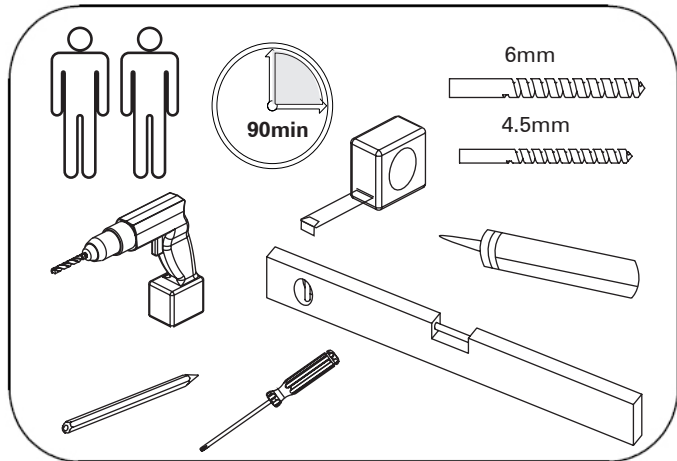
Please make sure the purchaser/end user completes and returns the guarantee card which is enclosed with this product. Failure to validate the Guarantee will mean only the 1 Year Statutory Guarantee will apply.



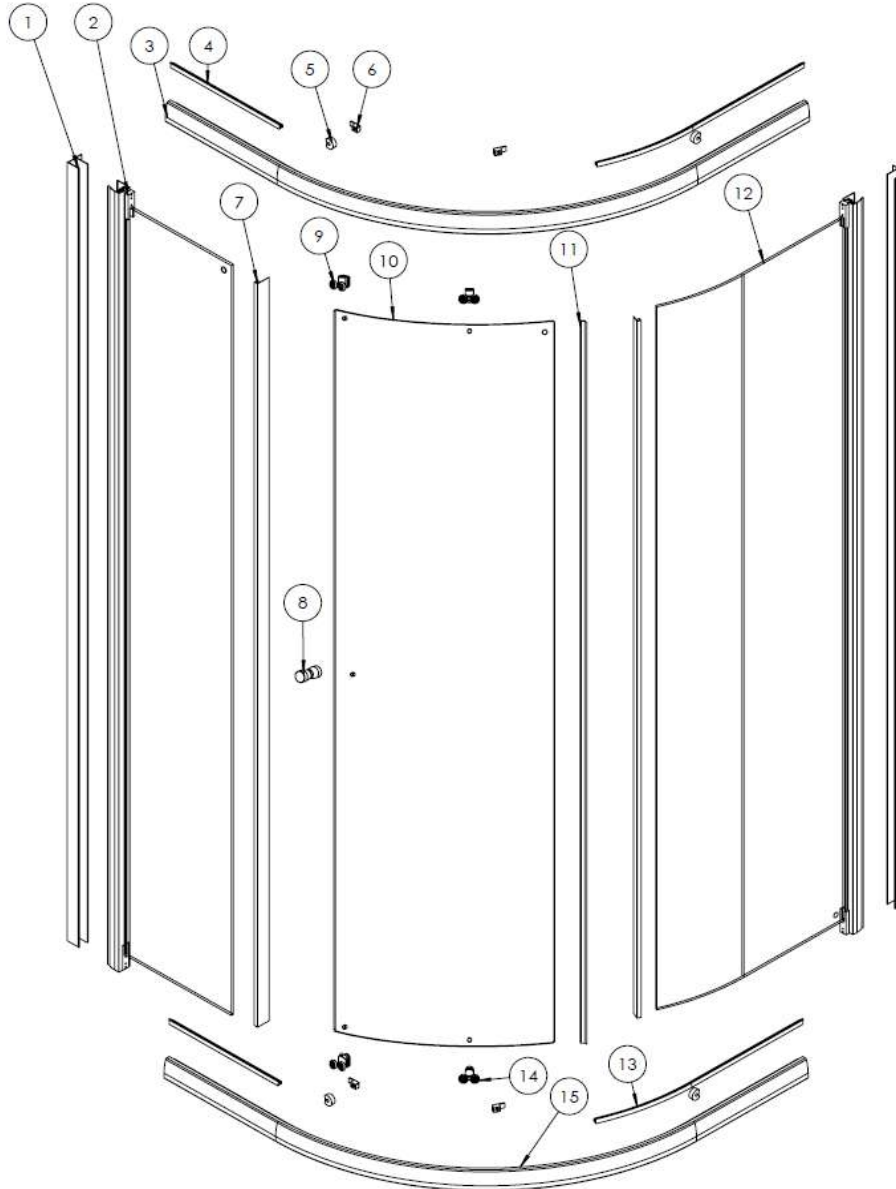
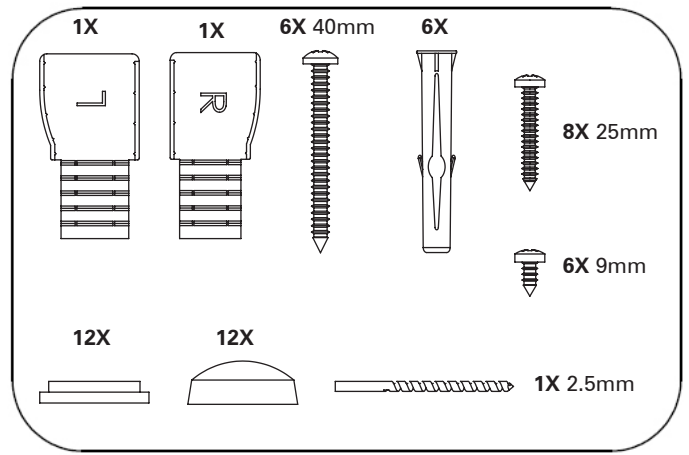
To obtain a copy of the Declaration of Performance for this product, please go to: www.ce-dpp.com, contact us on +44 (0) 1325 328034, or write to us at the above address, quoting the product reference number where possible.



Equipment Checklist: Not Supplied



Fixing Kit Components



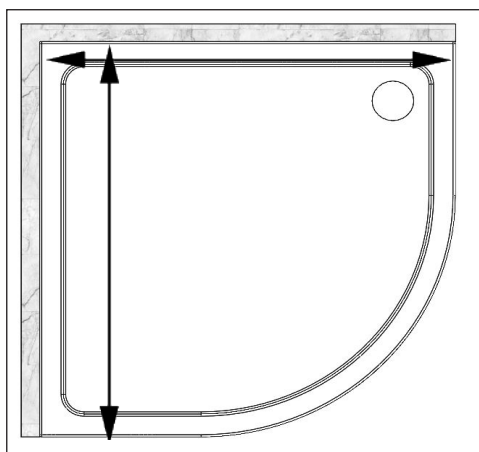
No.	Description	Qty.	No.	Description	Qty.
1	Wall Profile	2	11	Door Seal	1
2	Straight Panel Assembly	1	12	Curved Panel Assembly	1
3	Top Rail (Right Hand)	1	13	Curved Panel Seal	2
4	Flat Panel Seal	2	14	Bottom Bearing Assembly	2
5	Door Stop	4	15	Bottom Rail (Left Hand)	1
6	Glass Clip	4			
7	Panel Flipper Seal	2			
8	Door Handle	1			
9	Top Bearing Assembly	2			
10	Door Glass	1			

Step 1 - Tray Sizes

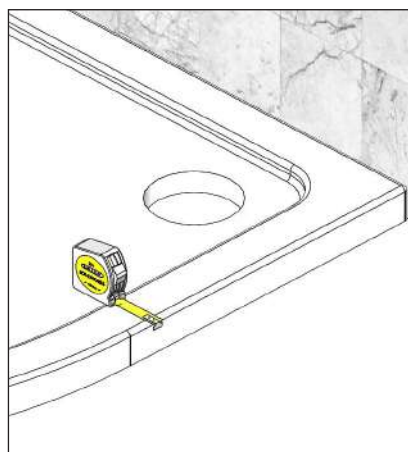
Your area must be tiled and grouted before measuring your tray - refer to your tray installation instructions and ensure this is done correctly. This is because tray measurements are taken from the tiled wall. Once tray installation is complete you can proceed to measuring the area, measure the bottom, middle and top across a 1900mm height. The tables below show the range of tray widths which will allow for correct fitment - this is for standard products only.

If your Tray has an up-stand, please add 10mm onto the below measurements.

Door Code	Tray Width
H3SQ9	875mm - 900mm
H3SQ10	975mm - 1000mm
H3SQ98	875mm-900mm / 775mm-800mm
H3SQ810	775mm-800mm / 975mm-1000mm
H3SQ812	775mm-800mm / 1175mm-1200mm
H3SQ129	1175mm-1200mm / 875mm-900mm

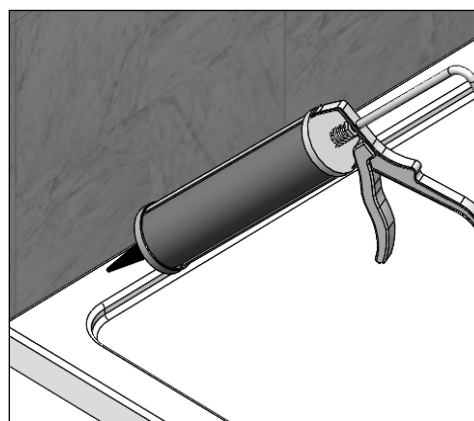
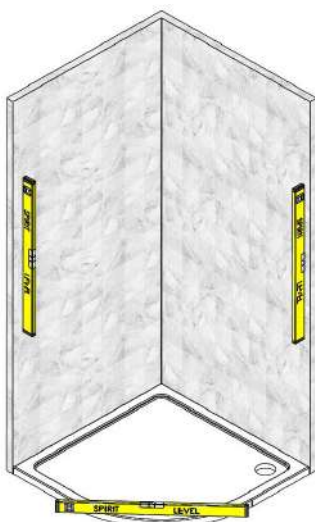


Measure from one tiled wall to the outer face



Measure from the very outside of the tray - before the radius. Go all the way to the tiled wall.

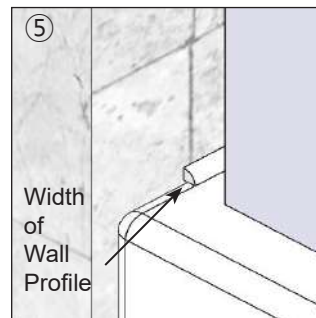
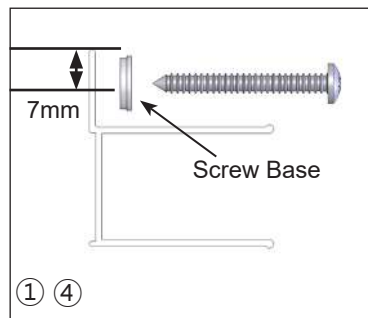
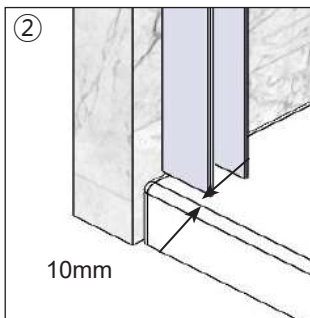
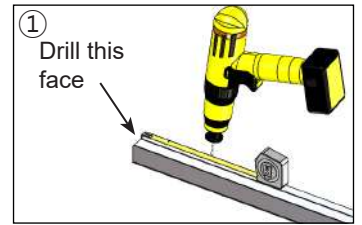
Step 2 - Pre-Installation Checks



1. Make sure the tray is installed as per the manufacturer's instructions.
2. Check your Tray and Walls are level on all sides (the bubble on the spirit level must be in the centre of the 2 lines).
 - If the Walls & Tray are not level you will not achieve the +/- 12.5mm of adjustment in each profile.
3. Stand in the tray and check that there is no adverse movement (correct if necessary).
4. The walls should be tiled and grouted up to the tray.
5. The tiles and the tray should be sealed using a good quality bathroom sealant:
 - Spray the seal and joints with the shower head and check for leaks when the silicon has cured.
 - Check the plumbing for leaks.
 - DO NOT plasterboard over the tray.
 - DO NOT grout the tiles when the enclosure has been fitted, the grout may discolour the aluminium profiles.

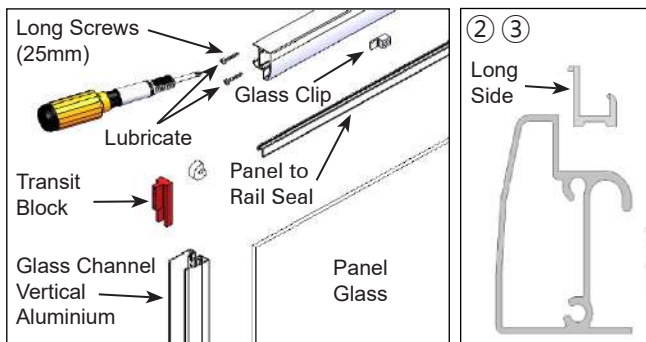
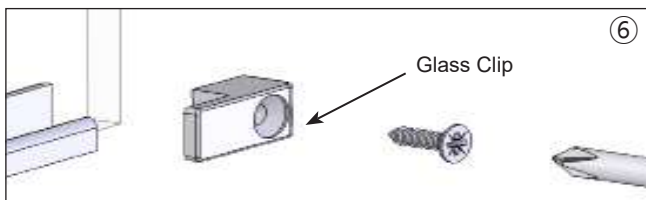
Step 3 - Wall Profile Positioning

- On both wall profiles drill three 4.5mm holes through the lip. Place them 7mm in from the edge and approximately 100mm from each end and the other positioned in the centre.
 - Drill the holes from the back (through the face that goes to the wall) - deburr all holes.**
- Place both Wall Profiles 10mm in from the outside of the tray. Make sure that both Wall Profiles are completely vertical using a spirit level and mark the wall through the holes with a pencil.
- Drill the wall with a 6mm Masonry Drill Bit (not supplied) where the Wall Profiles are to be positioned. Fit the Wall Plugs supplied (if going in to a brick or block wall). If going into a plasterboard wall you will need to purchase appropriate wall fixings. Wipe clear all debris from the Tray before referring to the next stage.
- Take one Wall Profile and position it on the Tray, place a bead of Bathroom Sealant (not supplied) the width of the Wall Profile between the tiled wall and tray. Fit Screw Bases to the 40mm screws (supplied) and secure the Wall Profile to the wall. Do not over tighten the screws into the Wall Profile as this will misshape the Wall Profile. Ensure the Wall Profile stays completely vertical throughout this procedure using a Spirit Level.
 - NOTE: Only one Wall Profile is fitted at this time, the other Wall Profile is fitted later.**
 - NO sealant should be present between the Wall Profiles and the tiled walls vertically prior to screw fixing.**
- Seal the gap between the Tray and Wall Profile with a Bathroom Sealant (not supplied).
 - Failure to carry out Stages 4 & 5 can result in serious water damage and is not covered by the Guarantee.**

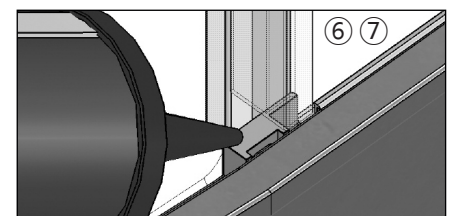
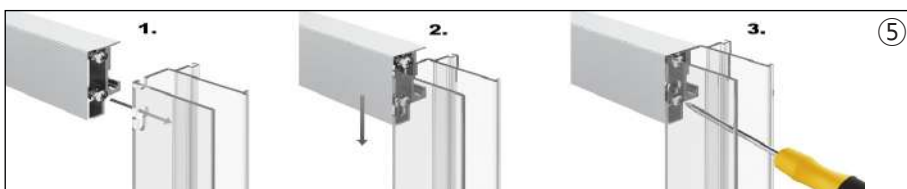
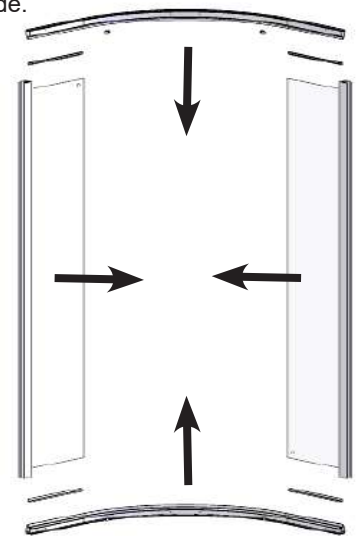


Step 4 - Building the Framework

- IMPORTANT:** Before proceeding with this assembly remove the Red Plastic Transit blocks from the top and bottom of the Panel Assemblies and discard.
- Place the Panel to Horizontal Rail Seals onto the top and bottom of the Panel Assemblies.
- Make sure that the seals are placed onto the glass the correct way round with the long side running vertically up the glass. The seals must also be pushed fully up to the vertical aluminum extrusion bonded onto the glass.
- Screw the 25mm frame fixing screws into both the top and bottom horizontal rail at each ends.
 - IMPORTANT: Please use lubricant and a hand screwdriver to NOT over stress the screws.**
- With the seals positioned correctly on the glass, fix the Horizontal Rails to the Panel Assemblies following the fast fix system as shown above, slot the curved rail into the key slot holes on the panel assembly vertical aluminum, drop it into position and adequately tighten. Repeat with the other curved rail followed by the other panel assembly on the opposite side.

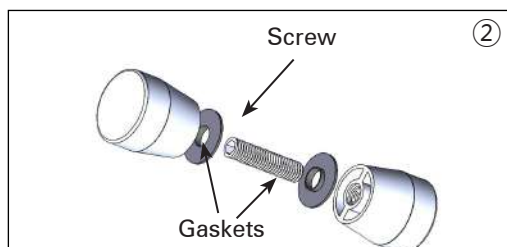
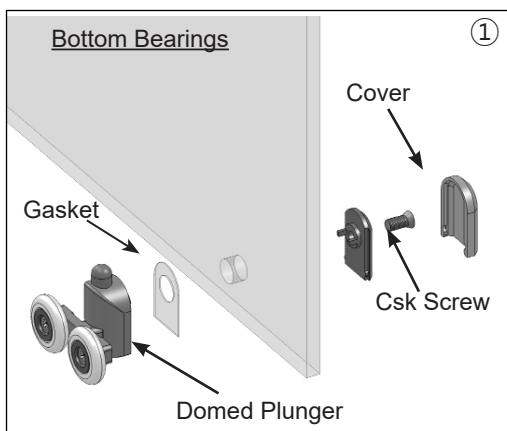
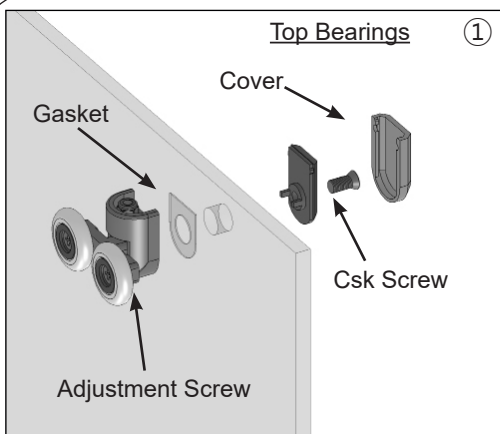
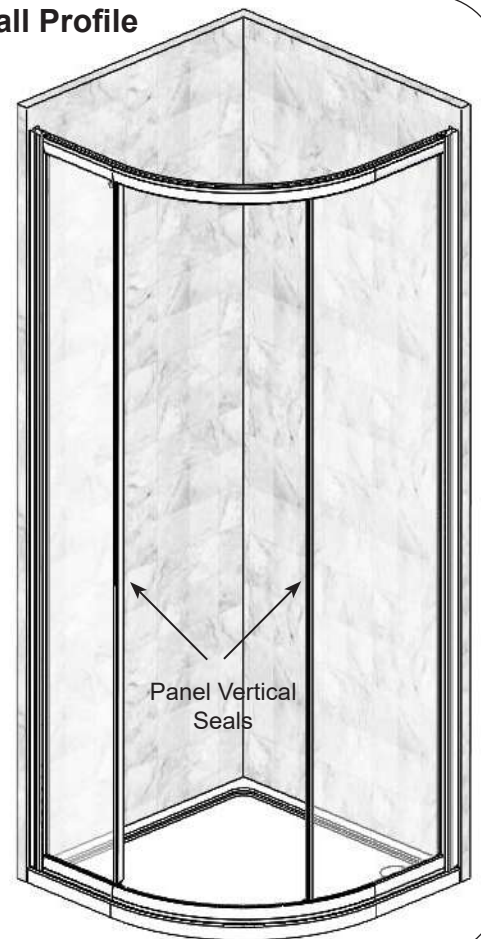
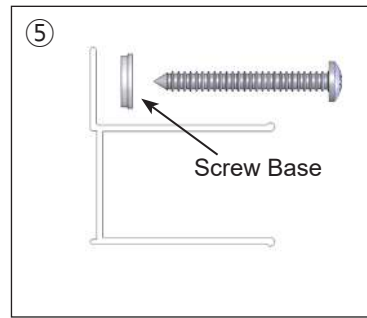
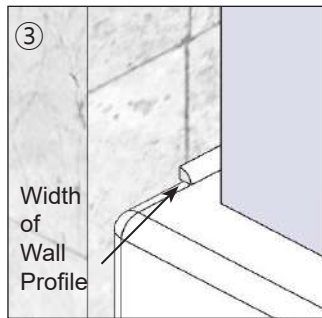


- Secure the glass to the Horizontal Rails by tightening the glass clips, being careful not to overtighten.
- Seal the gaps in the rail clips with silicon sealant to prevent leaking from this area.

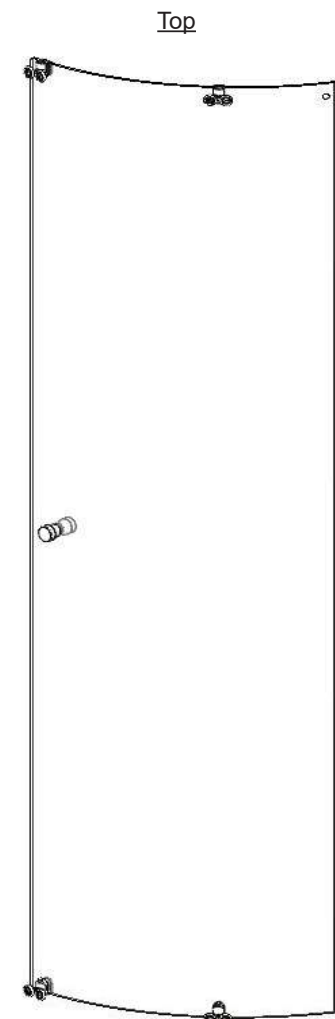


Step 5 - Fitting the Framework & Second Wall Profile

1. Place the remaining Wall Profile onto the end of the Framework where it is required.
2. Gently lift the Framework onto the tray and into position, take care that the glass stays between the glass clips and the Horizontal Rails.
3. Where the remaining Wall Profile meets the tiled wall and tray apply a generous bead of sealant.
4. Position the Wall Profile so that it locates over the previously fitted wall plugs.
5. Fit Screw Bases to the 40mm screws (supplied) and secure the Wall Profile to the wall. Do not over tighten the screws into the Wall Profile as this will misshape the Wall Profile. Ensure the Wall Profile stays completely vertical throughout this procedure using a Spirit Level.
6. Fit the vertical Panel Seals to the edge of the glass.



Step 6 - Assembling the Door



NOTE: The Bearing Assemblies for the top and bottom are different and can be distinguished by the bottom bearings having a domed plunger.

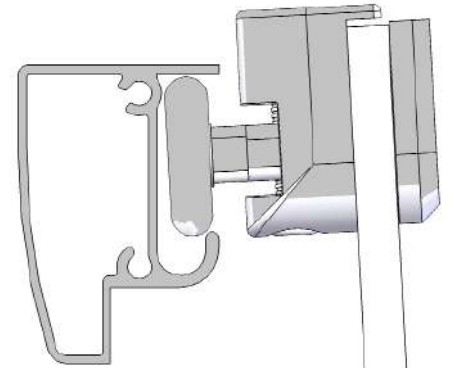
1. Carefully dismantle the Bearing Assemblies, place the gasket on the outside of the glass (Bearing Side) then re-assemble onto the Door Glass. Make sure you have the correct bearings at the top and bottom and that the wheels are on the outside of the glass.
 - **IMPORTANT: Fit the Bearing Assemblies to the doors using a hand screwdriver only (Do NOT use a Drill).**
 - **NOTE: The bottom bearings have a domed plunger.**
2. Dismantle the Handle Assembly and re-assemble onto the Door Glass. Make sure the Hole Bush is fitted between the screw and glass and the Spacers are fitted each side of the Door.
3. Fit the Vertical Door Seals to the Door Glass, the soft flipper section to face the outside.

Step 7 - Fitting the Door

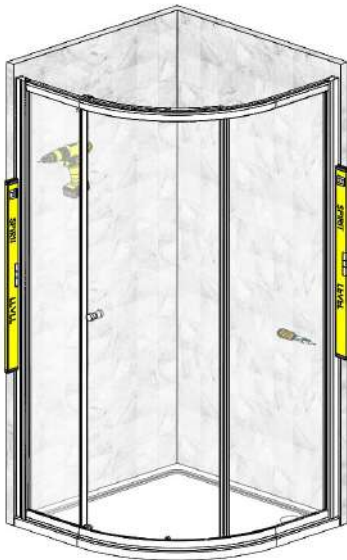
1. Carefully lift one assembled door into the enclosure ensuring that it is the correct way round.
2. Position the top Wheel Bearings into the Horizontal Top Rail (you may need to have the Door at a slight angle) and drop the Door gently down.
3. Push down the spring loaded Domed Plunger on the bottom Wheel Bearings and push under the Horizontal Bottom Rail



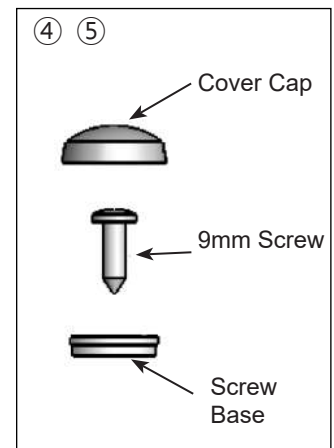
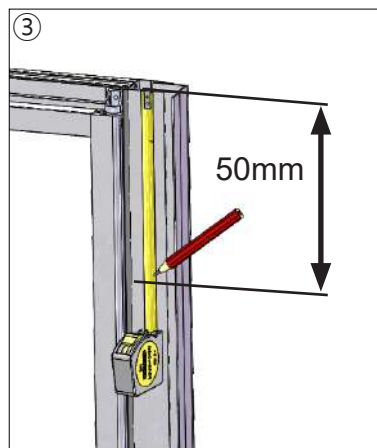
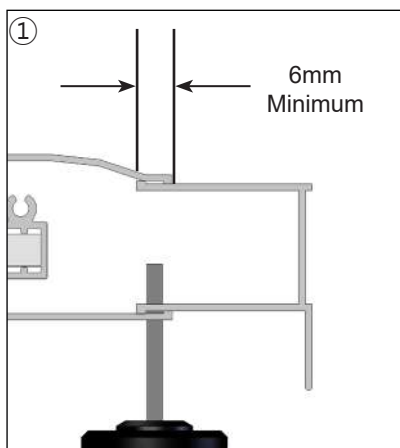
Offer Door at an angle



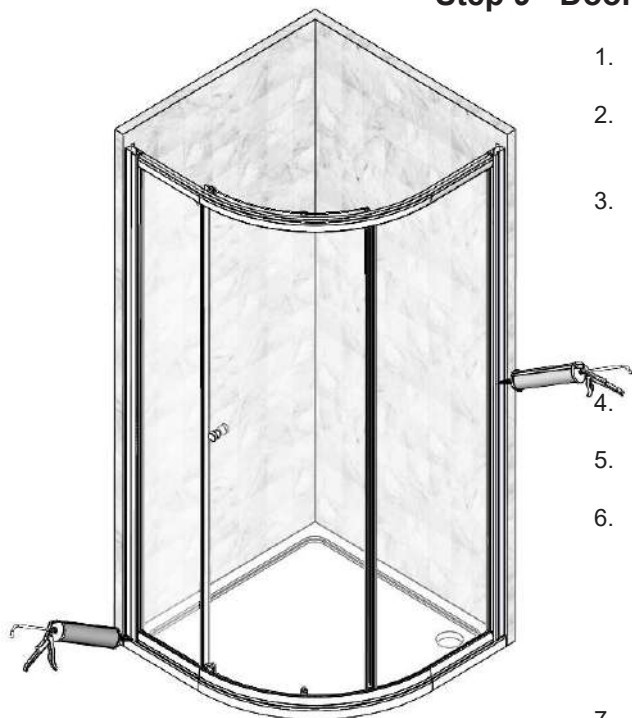
Step 8 - Fitting the Enclosure



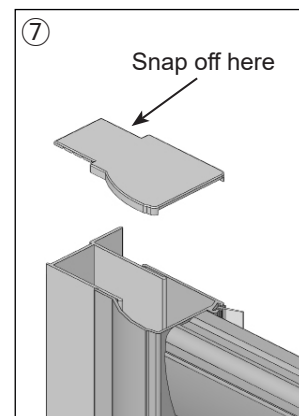
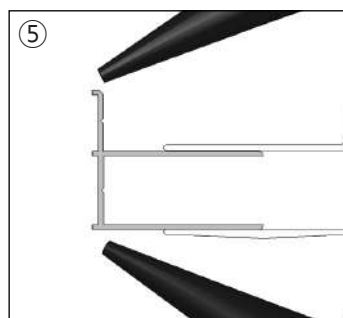
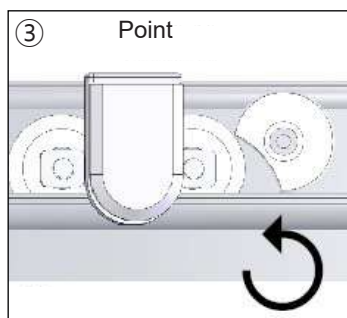
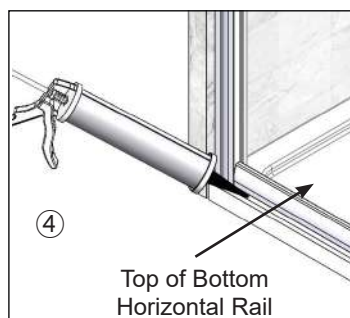
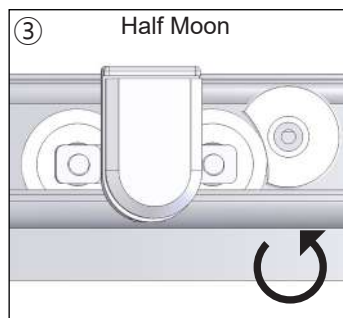
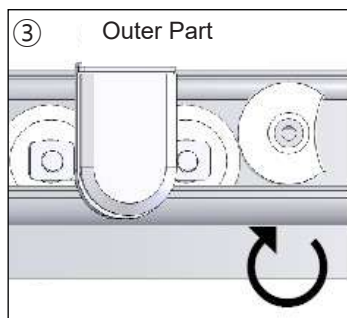
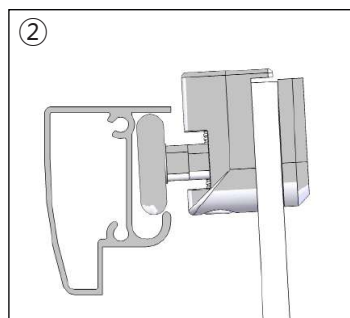
1. Ensure both Panel Assemblies are completely vertical and the Enclosure is level.
2. Make sure the enclosure is positioned equally between both Wall Profiles with a minimum of 6mm for drilling.
3. On each Panel Vertical drill three 2.5mm holes into the Wall Profiles, they are to be drilled approximately 50mm from each end with the other in the centre.
4. Fit the Screw Bases onto the 9mm Screws and fasten together using a screwdriver.
5. Fit all the Screw Cover Caps in the enclosure.



Step 9 - Door Adjustment and Sealing



1. Close the Door and check to see if it is hanging parallel between the Panels, also check to see if the door is running smoothly.
2. The Door can be adjusted by turning the Screws on the Top Bearing Assemblies using a screwdriver. Turn the screws up or down until you are satisfied with the Door.
3. With the Doors adjusted rotate the Door Stops until they just make contact with the wheel of the bearing when open, this to prevent excessive movement and rocking. The Door Stops can be rotated so that the wheel contacts either the outer part, the half moon section or the point (see diagrams).
 - **IMPORTANT: Adjust the Door Stops top and bottom, failure to do so may result in breakages.**
4. Seal both sides of the Wall Profiles vertically inside and outside where they meet the tiled Walls.
5. Fully seal horizontally between the top of the Bottom Horizontal Rail and the Panels Glass on the outside.
6. Fully seal the Bottom Horizontal Rail to the top of the tray on the outside only from wall to wall.
 - **IMPORTANT: Failure to carry out stages 4,5 and 6 may result in serious water damage and is not covered under the terms of the guarantee.**
 - **DO NOT seal the base of the product to the inside, failure to comply may result in the product leaking.**
7. Fit the Top Caps, these can be shortened to fit by snapping off at the relevant groove. Apply a small amount of silicon to help keep in place.
8. Please allow 24 hours for the sealant to cure prior to using the enclosure.
9. Place the branding badge in a prominent position on a none moving part of aluminium.



Trouble Shooting Guide

Should you experience any problems during installation please refer to the Trouble Shooting Guide or contact Customer Relations on:
+44 (0) 1325 328033

To enable customer relations to provide you with an excellent level of service it is important that you quote your product Code and Reference Number - these can be found on the Guarantee card.

Problem	Solution
Leaking	<ol style="list-style-type: none">1. Check that the inside gap between the Tray and Wall profiles has been sealed correctly.2. Ensure the tray is sealed along the tiled walls prior to installation.3. If the inside joint between the enclosure and the tray top is sealed, this will cause leakage - sealant must be removed.4. Ensure the wall profiles on the tiled walls are sealed both vertically inside and outside.5. Ensure the Panel Glass and the top of the Bottom Horizontal Rail is sealed horizontally.6. Ensure the joint between the enclosure and tray top is sealed.7. Ensure the Door Magnets meet fully all the way down. <p><u>Important: This enclosure should be water tested conforming to BS EN 14428</u></p>
Enclosure Alignment on Tray	<ol style="list-style-type: none">1. Have you read and understood Step 1 of the instructions?2. Is the enclosure fitted onto a tiled wall?3. Is the wall profile completely vertical?4. Is the wall profiles fitted 10mm from outside of the tray?
Door not operating correctly	<ol style="list-style-type: none">1. Ensure both Wall Profiles are completely vertical.2. Ensure the tray is completely level.3. Ensure the enclosure has an equal gap around the tray.
Door Alignment	<ol style="list-style-type: none">1. Ensure the Wall Profiles are completely vertical.2. Ensure the Tray is completely level.3. If the door is not aligned correctly, you have adjustment in the top wheel assemblies.4. Rotate the Door Stop to prevent rocking.

Important Information to help you maintain your Product:

The following information is all you need to keep your product looking new.

Our products are generally maintenance free, however it may be necessary to lubricate wheel assemblies and other moving parts such as hinges from time to time.

Clean your product using a mild detergent diluted in water and then polished off using a soft cloth.

If you live in a hard water area, periodically clean your product using a 50/50 solution of white vinegar and water. The solution should be left on the enclosure for approximately 5 minutes then rinsed off using warm water. This method of cleaning should remove lime scale residue.

It is strongly recommended that a quality silicone spray is used.

A list of Donts

1. Don't use acidic based products which are unsuitable for cleaning enamel surfaces.
2. Don't use abrasive cleaners or cleaners using bleach or solvents, these products will adversely affect the finish of the aluminium profiles.
3. Don't use scouring pads, powder or any sharp instruments when cleaning the enclosure.