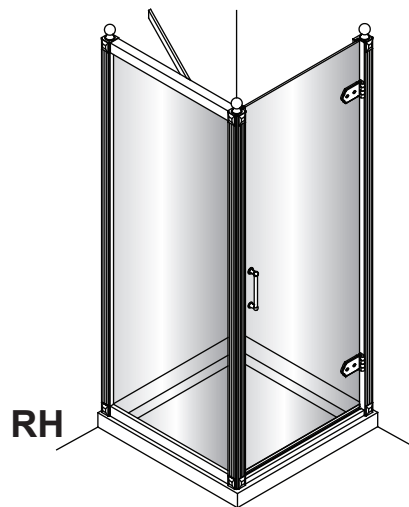
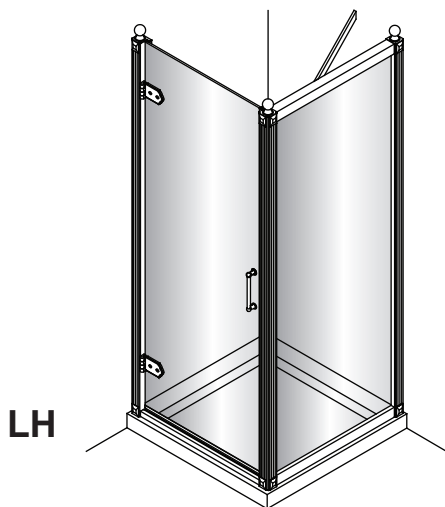


- PLEASE REFER TO THE INDIVIDUAL DOOR OR SLIDER DOOR INSTRUCTIONS FOR CORRECT INSTALLATION WITH THIS SIDE PANEL.
- Check the contents of the pack carefully before installation.
- The tray MUST be installed level and fully sealed to the tiles.
- Handle with care. Impacts can damage both the glass and the frame.
- Check for any hidden pipes or cables before drilling holes in the wall.
- The enclosure is reversible: " door can be either left or right opening. "
In the remainder of this manual the illustrations will only show the right hand installation.
The parts marked "LH" or "RH" would be only suitable for the relative shower enclosure.
- The wall fixings supplied may not be suitable for your installation. You may need to source alternatives depending on the construction of the wall you are fixing to.

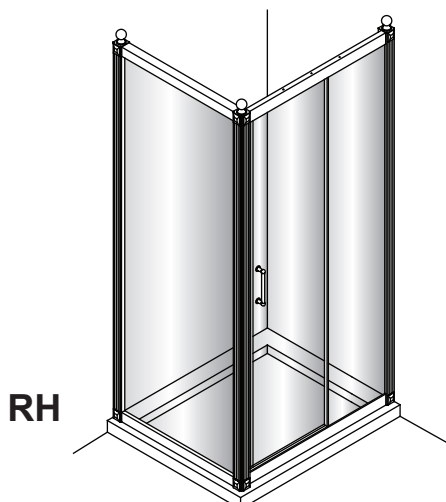
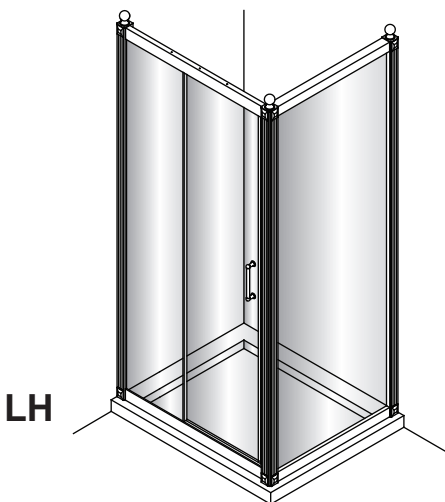
Care and Cleaning:

- Do not use solvents or abrasive material or chemicals to clean the enclosure.
- Only clean using soapy water and a soft cloth, rinse thoroughly afterwards.

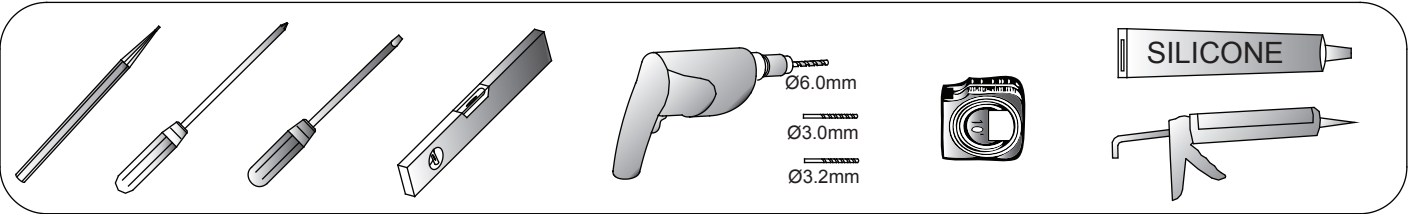
Hinge Door and Side Panel (Pages 3 - 5)



Slider Door and Side Panel (Pages 6 - 8)

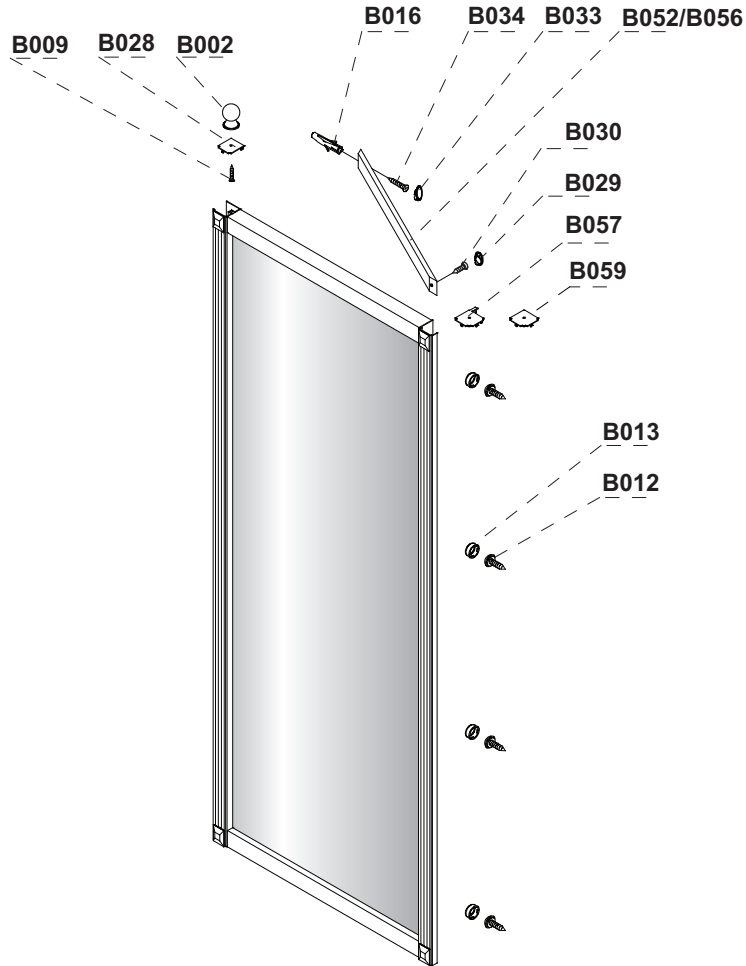


Tools required:



Parts supplied:

Side Panel Box - C11/C12/C13/C14

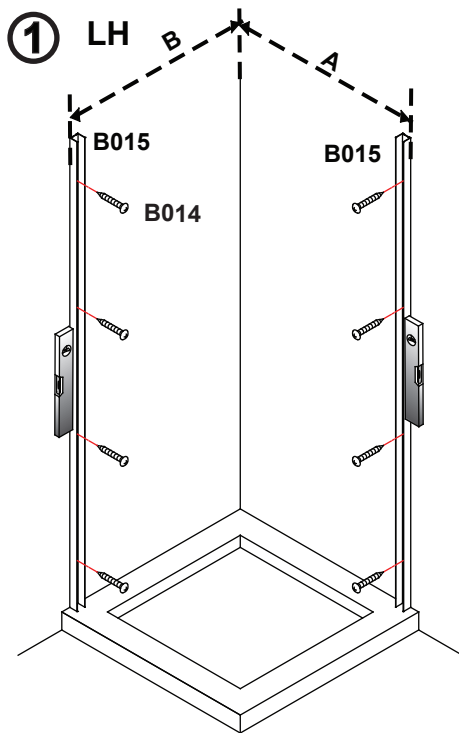


<p>B002</p> <p>1x</p>	<p>B027</p> <p>1x</p>	<p>B028</p> <p>1x</p>	<p>B009</p> <p>1x</p> <p>ST3.5*16mm</p>	<p>B034</p> <p>1x</p> <p>ST4*35mm</p>
<p>B033</p> <p>1x</p>	<p>B030</p> <p>1x</p> <p>ST4*25mm</p>	<p>B029</p> <p>1x</p>	<p>B016</p> <p>1x</p>	<p>B012</p> <p>4x</p> <p>ST3.5*10mm</p>
<p>B013</p> <p>4x</p>	<p>B057</p> <p>1x</p> <p>RH</p>	<p>B058</p> <p>1x</p> <p>LH</p>	<p>B059</p> <p>1x</p> <p>RH</p>	<p>B060</p> <p>1x</p> <p>LH</p>
<p>B052/B056</p> <p>1x</p> <p>- B052 is for 700, 760, 800 side panel - B056 is for 900 side panel</p>				

Hinge Door and Side Panel

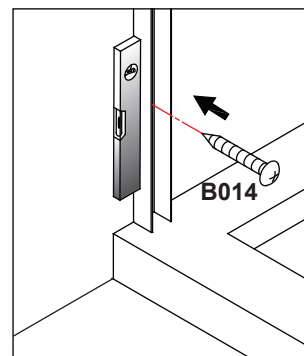
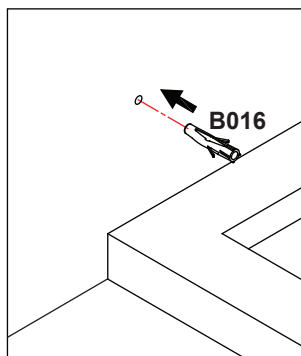
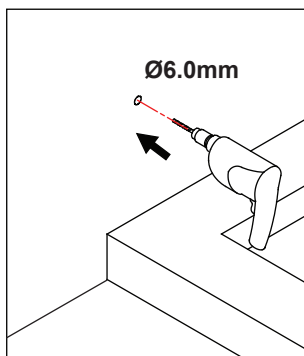
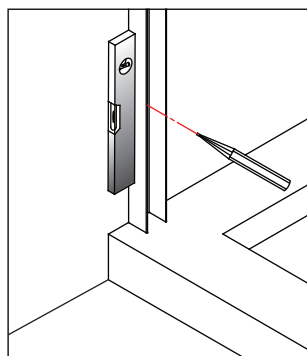
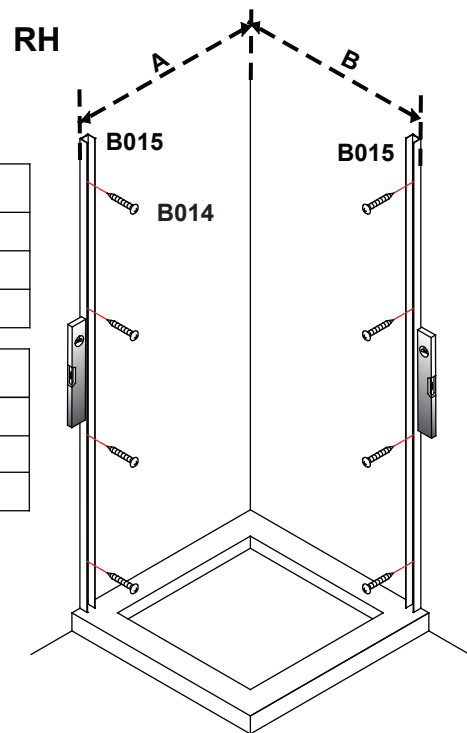
This instruction relates to the combination of the hinge door with a side panel, and should be used in conjunction with the assembly instructions of the hinge door.

Please review carefully both instructions before you begin assembly, and follow the steps accordingly.

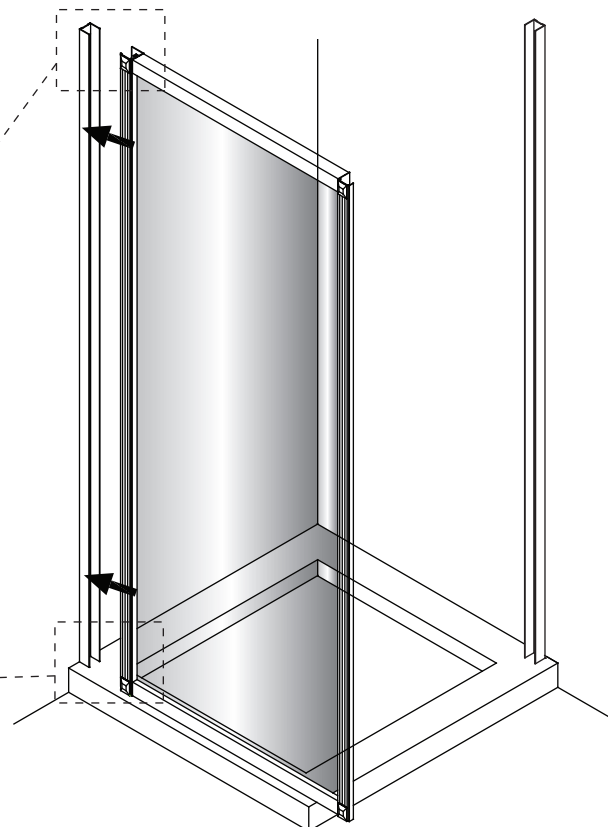
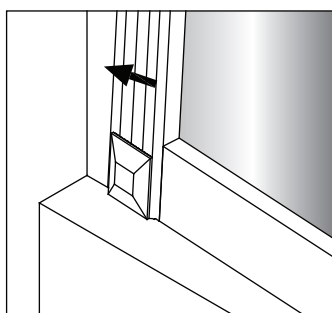
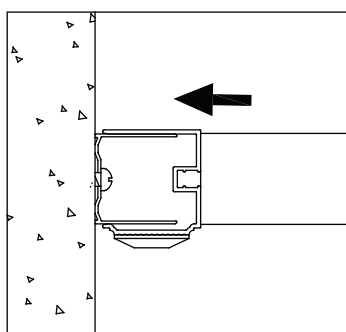


Item		A (mm)
C19	760 Hinged door	720 ~ 740
C20	800 Hinged door	760 ~ 780
C21	900 Hinged door	860 ~ 880

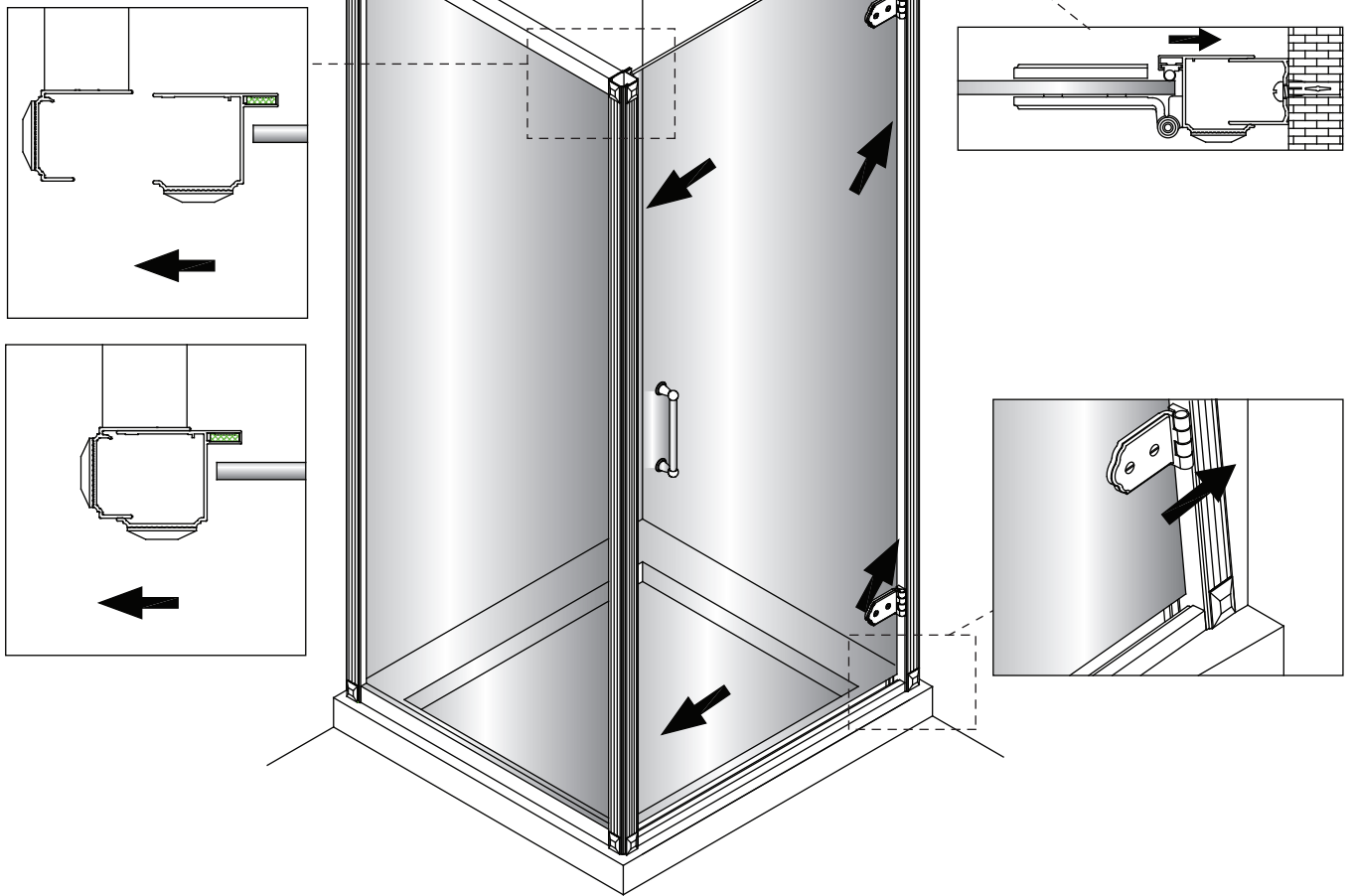
Item		B (mm)
C12	760 Side Panel	720 ~ 740
C13	800 Side Panel	760 ~ 780
C14	900 Side Panel	860 ~ 880



②

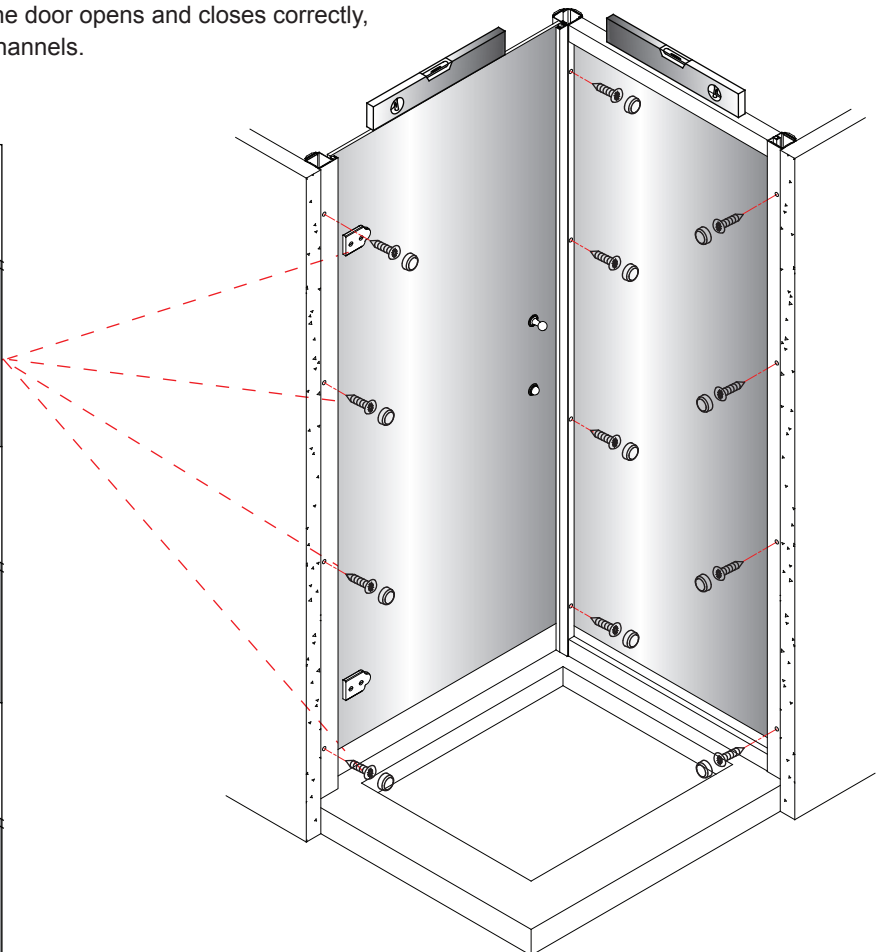
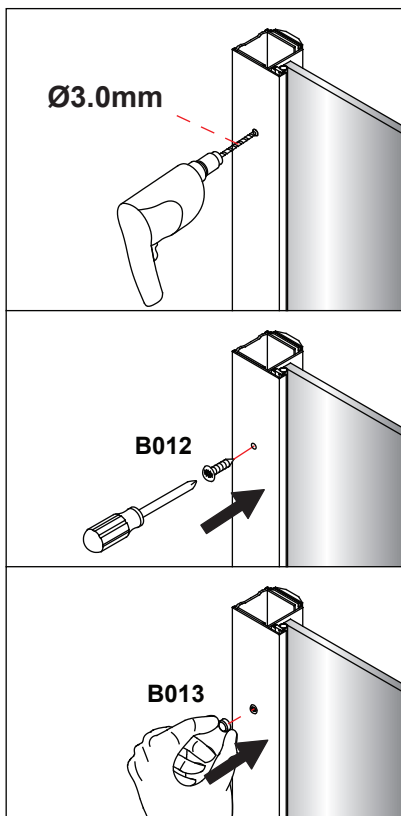


3

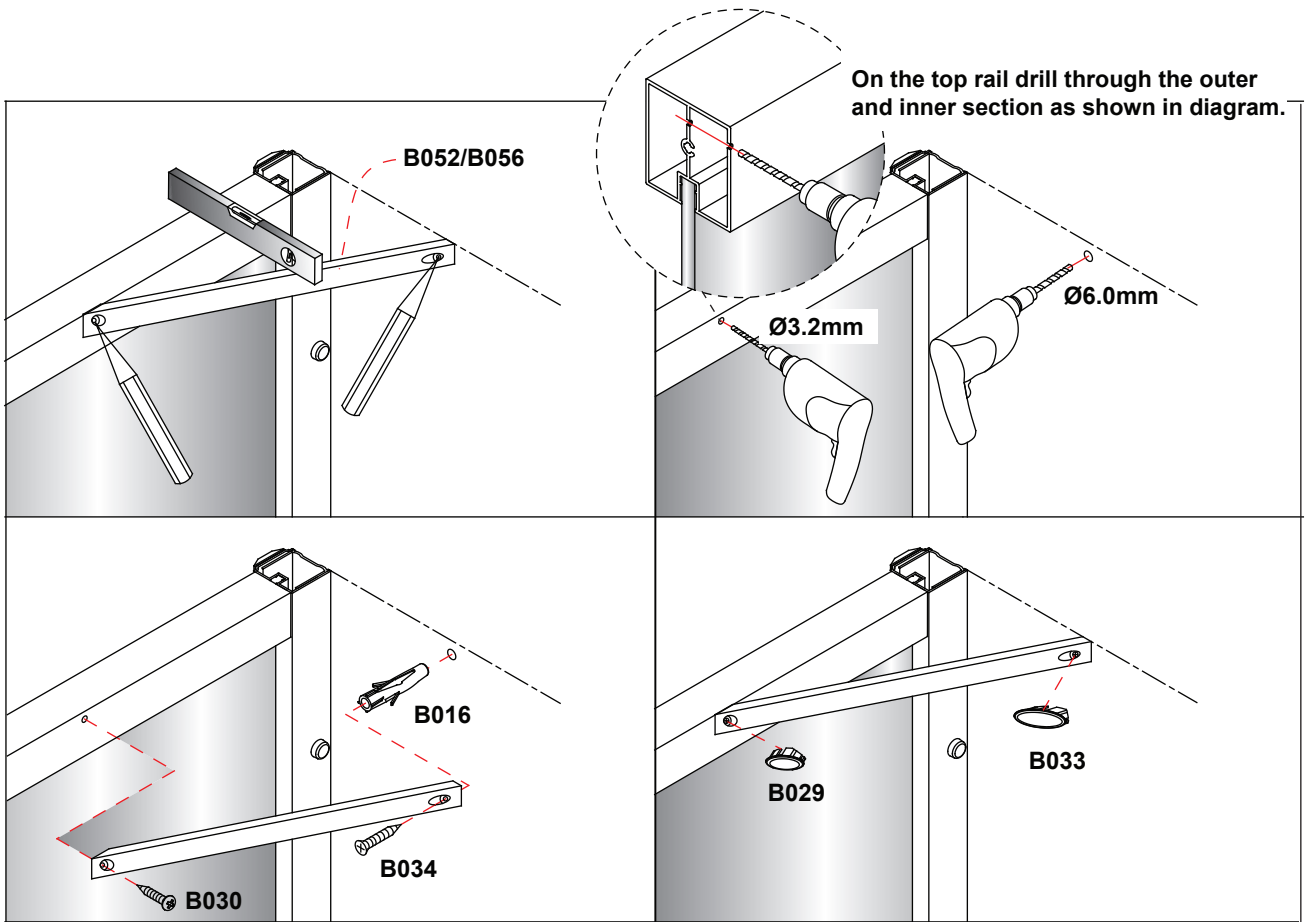


4

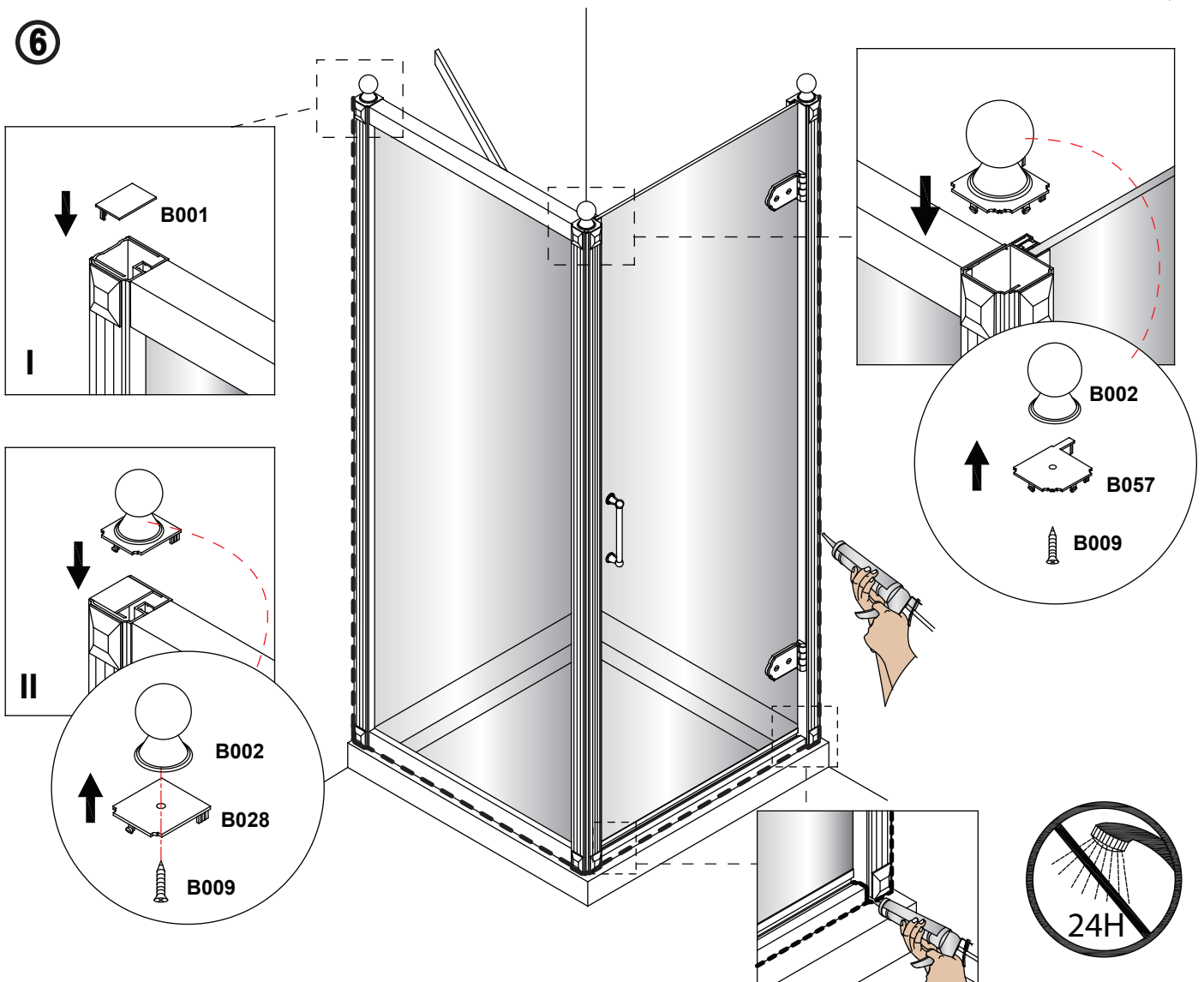
Once you have checked that the door opens and closes correctly, fix the door frame to the wall channels.



5



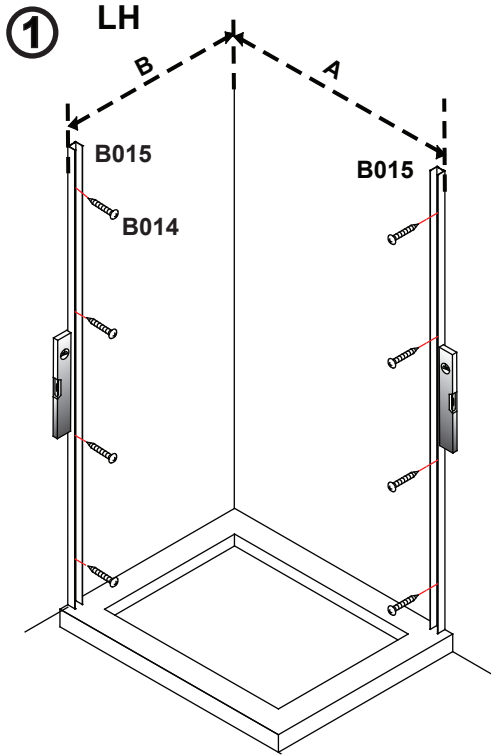
6



Slider Door and Side Panel

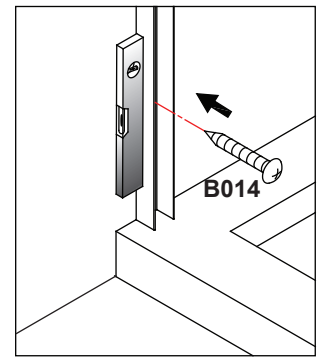
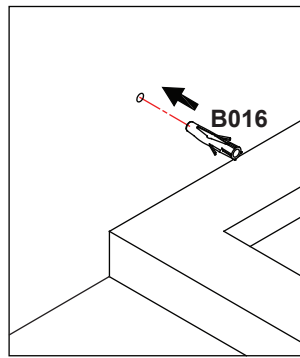
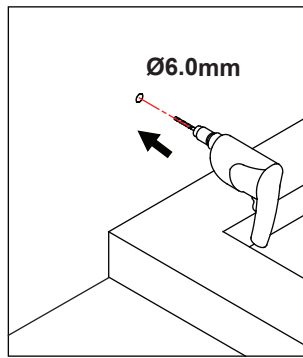
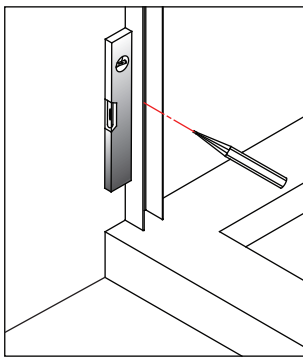
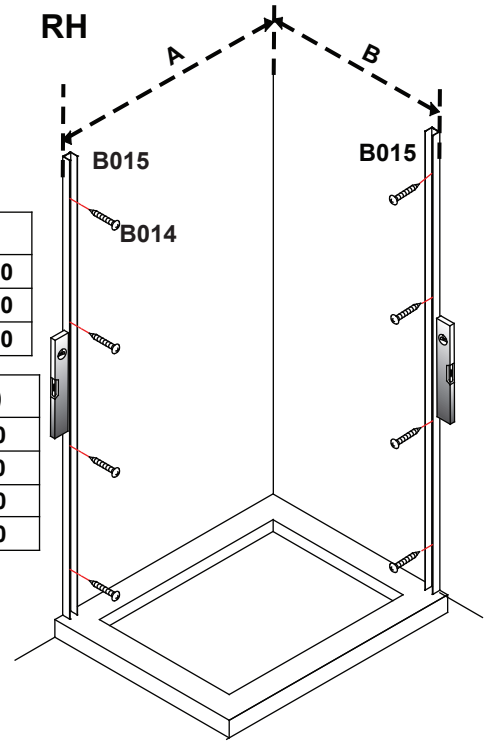
This instruction relates to the combination of the slider door with a side panel, and should be used in conjunction with the assembly instructions of the slider door.

Please review carefully both instructions before you begin assembly, and follow the steps accordingly.

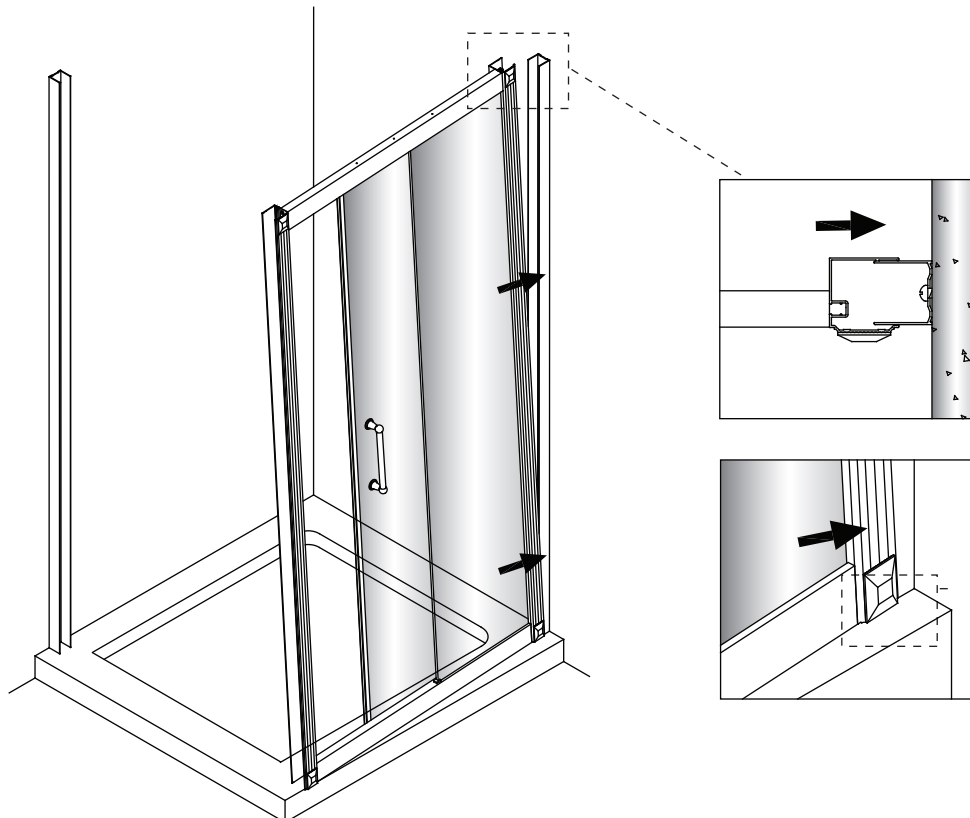


Item	A (mm)
C6S 1100 Slider door	1060 ~ 1080
C7S 1200 Slider door	1160 ~ 1180
C8S 1400 Slider door	1360 ~ 1380

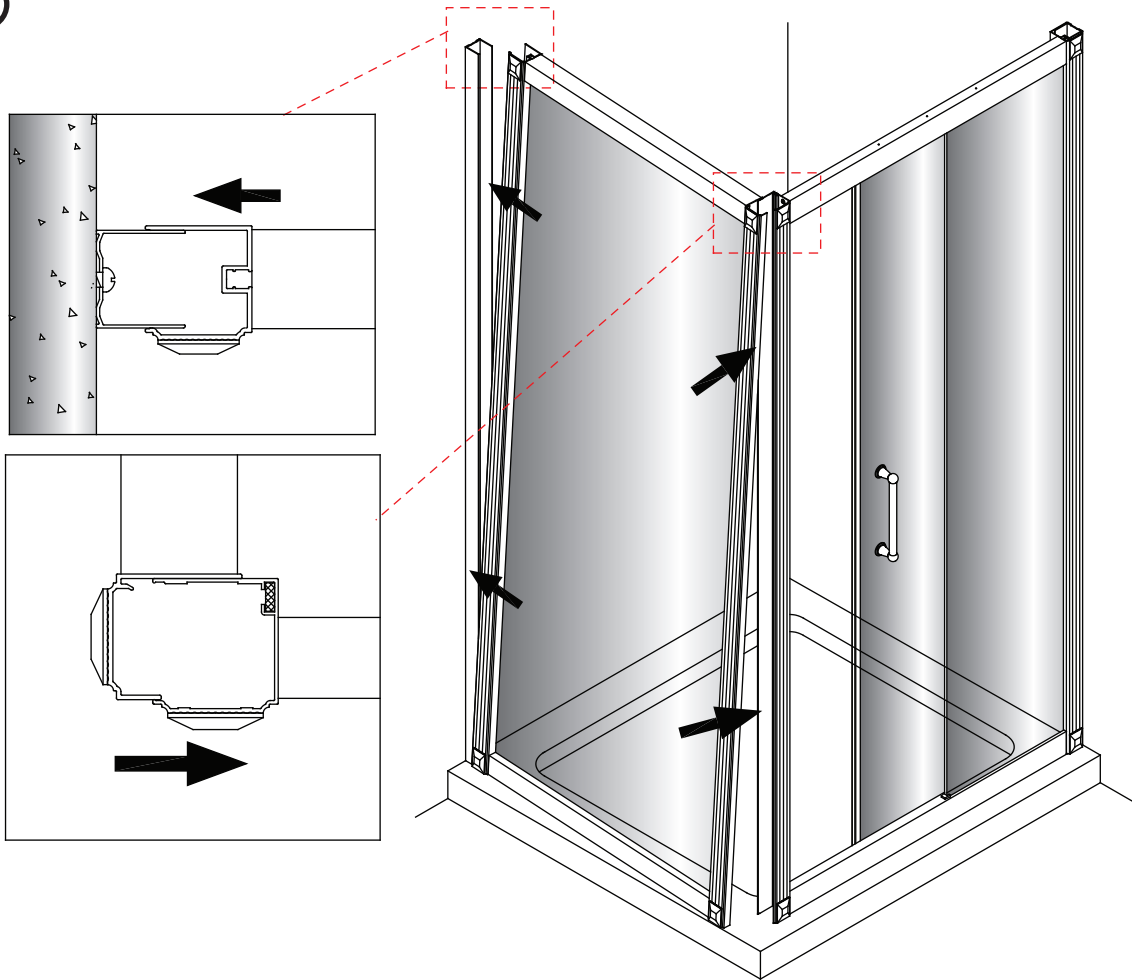
Item	B (mm)
C11 700 Side Panel	660 ~ 680
C12 760 Side Panel	720 ~ 740
C13 800 Side Panel	760 ~ 780
C14 900 Side Panel	860 ~ 880



2

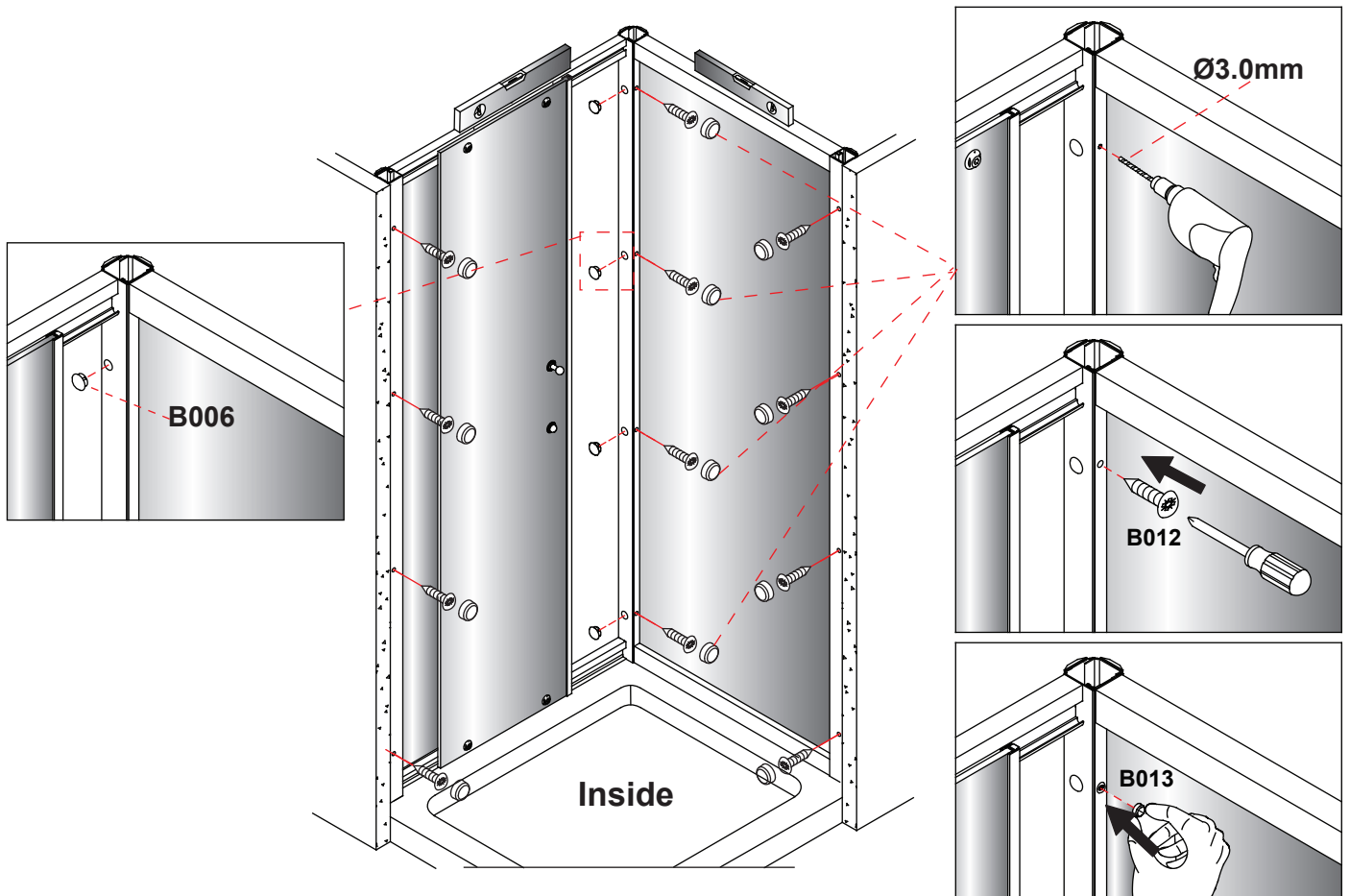


3



4

Once you have checked that the door opens and closes correctly, fix the door frame to the wall channels.



5 Install the supporting bar supplied with the side panel if necessary.

On the top rail drill through the outer and inner section as shown in diagram.

