

## PLINTH KIT LEG SETS INSTALLATION INSTRUCTIONS

Please read these instructions throughout before installing as incorrect fitting will invalidate the guarantee.  
If you are unsure about these instructions please contact Kudos Shower Products 01 539 564040.

**THESE INSTRUCTIONS ARE TO BE LEFT WITH THE CONSUMER**

### HEALTH & SAFETY WARNING

DUE TO THE WEIGHT & SIZE OF THE TRAY(S) A MINIMUM OF TWO PERSONS ARE REQUIRED TO MOVE AND INSTALL

### Important

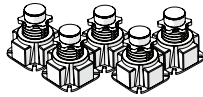
Check appearance of all product - any defects must be reported to your retailer before assembly/installation. Claims for imperfections will only be accepted prior to assembly/installation.

Any claims made under the terms of the Lifetime Guarantee must be reported to your retailer within 21 days of the fault occurring.

### Leg Set Product Descriptions & Codes

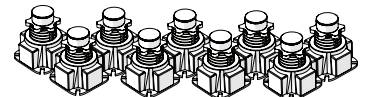
#### Product Code: 165246

Leg Set Pack of 5 for trays under 1200mm in length



#### Product Code: 163872

Leg Set Pack of 9 for trays over 1200mm in length



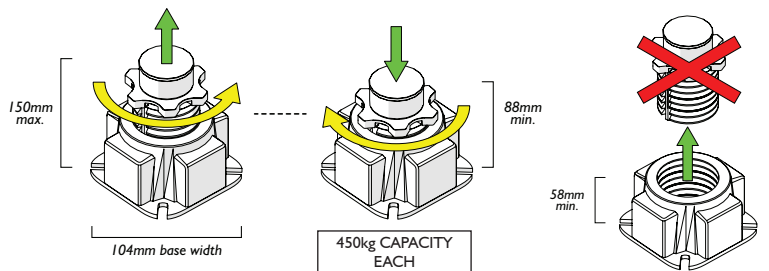
### Leg Detail

All Kudos Shower Trays are designed to be fitted to either wooden or concrete floor and should be fully supported.

They can be raised off the floor from 88mm - 150mm using KUDOS approved leg sets and provided they are fully supported by a minimum 18mm thick moisture resistant base board (not supplied).

Turning clockwise/anti-clockwise will increase/decrease the height of the legs.

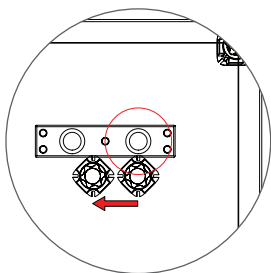
*By removing the extension leg, the tray can be installed with a minimum height of 58mm.*



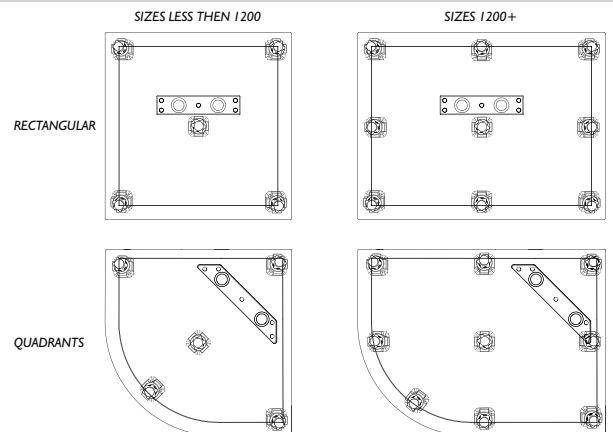
### Leg Positions

Use the diagrams as a guide to space out the legs. This is to distribute the weight evenly from the tray.

Position supports approx. 75mm from each corner and in the centre of the tray.



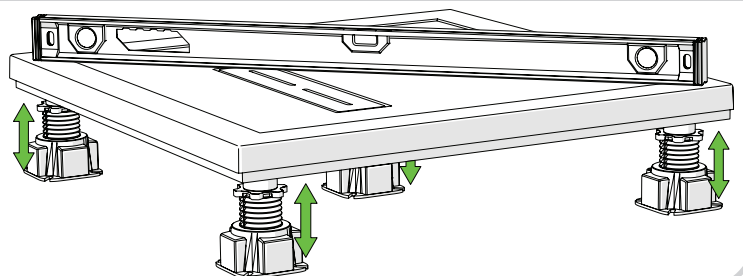
Make sure the legs don't overlap the hole cut out for the waste location.



### Ensure Tray Is Level

Using a Level make sure the tray is level in all directions.

Turning clockwise/anti-clockwise will increase/decrease the height of the legs.

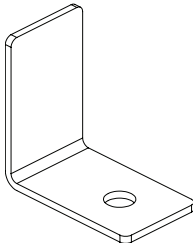


## Optional To Support Facia Installation

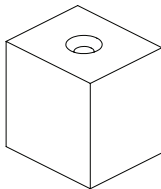
1a. Optionally, before fitting the facias you can add either L-shaped brackets or blocks so that the facia can't change position.

L-shaped Brackets and Blocks are NOT supplied by Kudos.

Use diagram as a guide for the blocks. Diagram relates to a 900 x 900 tray. May require more for the larger tray sizes.

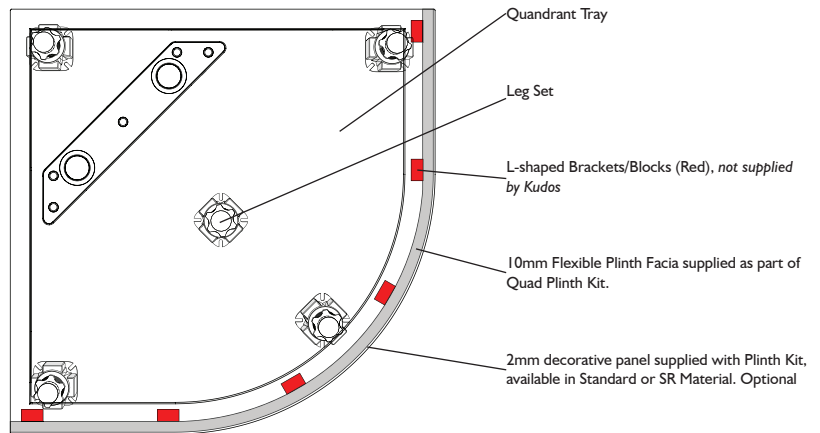
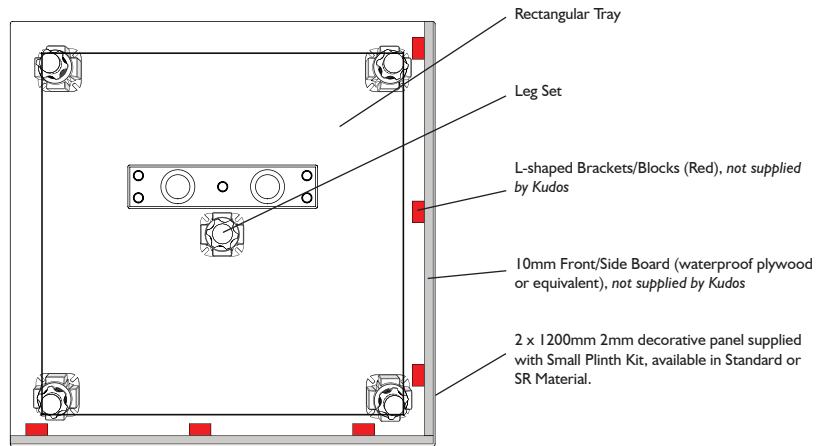


L-shaped Bracket



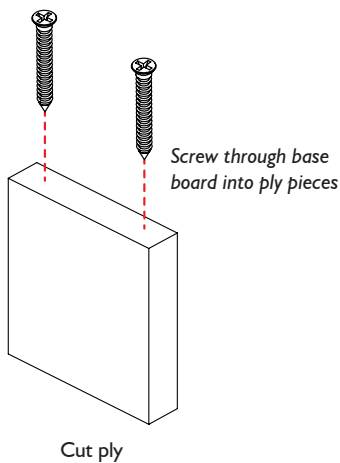
Block

**NOT SUPPLIED BY KUDOS**



1b. Optionally, if you have spare ply left over, this can easily be used so that the facia can't change position.

Use diagram as a guide for the adding ply. Diagram relates to a 900 x 900 tray. May require more for the larger tray sizes.



Cut ply

**NOT SUPPLIED BY KUDOS**

