

Self-help Temperature Adjustment

The Shower Valve temperature is pre-set to 38°C, but on certain installations the temperature may need to be adjusted.

Note: The hot water supply must be above 60°C.

Turn the Flow Control handle to the maximum flow.

Turn the Temperature Handle fully anti-clockwise & check the temperature of the water from the outlet. If the shower is not set to the desired temperature, continue below.

Note: The Temperature handle fixing method will slightly vary depending on type.



1. Remove the Temperature Handle Concealing Cap.



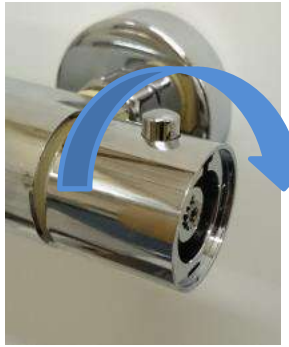
2. Using a X-head screwdriver remove the Temperature Handle.



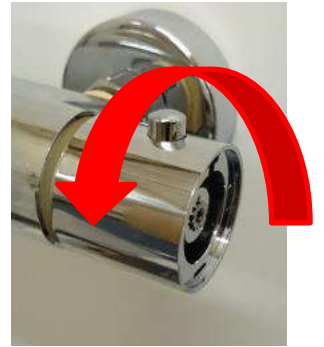
3. The Temperature Stop Lug and Cartridge Spline are now visible.



4. Relocate the Temperature Handle back onto the Cartridge Spline by approx. 3mm.



5. If the pre-set temperature is too hot, turn the handle towards the cold and wait approx. 10 seconds.



6. If the pre-set temperature is too cold, turn the handle towards the hot and wait approx. 10 seconds.



7. Once the Shower is set to the desired temperature, relocate the Temperature Handle onto the Cartridge spline, ensuring that the Over-ride Button Pin is against the Temperature Stop Lug.
(This prevents the temperature from exceeding 38°C unless the Over-ride button is pressed)



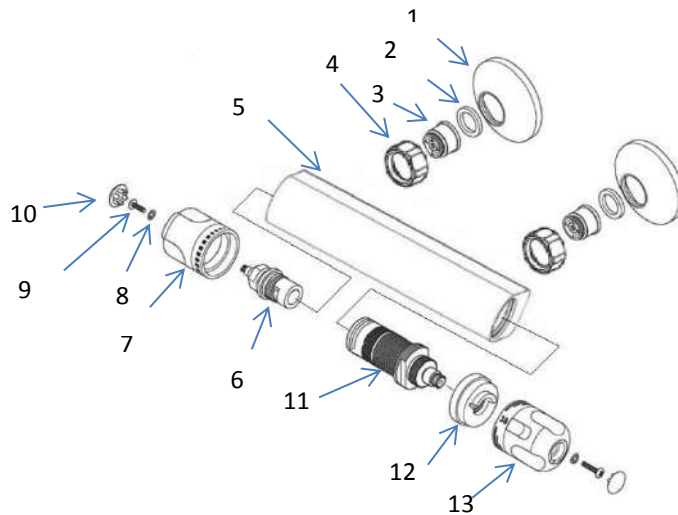
8. Again using a X-head screwdriver secure the Temperature Handle.



9. Re-fit the Temperature Handle Concealing Cap.

Your Product information

PARTS LIST			
	COMPONENTS	TWIN QUANTITY	TRIPLE QUANTITY
1	C/P Wall Flange	2	2
2	¾" Washer	2	2
3	Check Valve	2	2
4	C/P Back-nut	2	2
5	Bar Shower Body	1	2
6	C/D Valve	1	2
7	Flow Control handle	1	1
8	Grip Washer	2	3
9	Fixing screws	2	3
10	Cover Caps	2	2
11	Thermostatic Cartridge	1	4
12	Temperature Stop-ring	1	1
13	Temperature Control Handle	1	1



FAQ

ISSUE	POSSIBLE CAUSE
Temperature issue. (Too hot/too cold/fluctuation)	<ol style="list-style-type: none"> 1. Maximum temperature needs adjusting. See Temperature Adjustment instruction. 2. Hot and cold water supplies are plumbed to the wrong sides of the valve. 3. Check Hot Water supply temperature. (Min 60°C) 4. Operating Conditions are incorrect. (Pressure/Temperature). 5. Check the system for any blockages (pipework debris). 6. If too cold, press the Maximum Temperature Override Button and turn the Handle to increase the temperature. 7. Water is being drawn off at other outlets or appliances.
Flow issue. (No or poor flow)	<ol style="list-style-type: none"> 1. Check the system for any blockages (pipework debris). 2. Operating Conditions are incorrect. (Pressure/Temperature). 3. Valve shut-off has activated due to lack of cold water supply. 4. Check that both hot and cold isolation valves are fully open. 5. Ensure that the Check-valves are not sticking. 6. Check the inlet filters for blockage. 7. For Low Pressure Systems, please ensure the header tank is at least 1 metre above Head/Handset.
Leaking/dripping in the OFF position.	<ol style="list-style-type: none"> 1. Possible debris in the CD valve. 2. Possible retained water between the Shower and Head/Handset. (Allow several minutes for drainage).