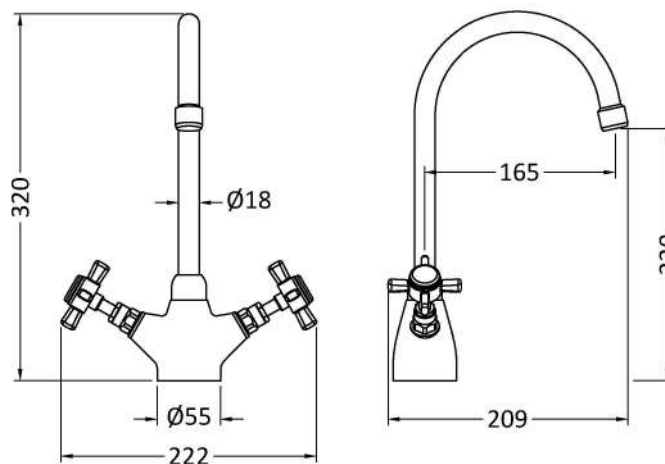


Sales Code: KB603

Description: Traditional Mono Sink Mixer



### Product Dimensions

|                   |      |
|-------------------|------|
| Height (mm):      | 345  |
| Width (mm):       | 180  |
| Depth (mm):       | 165  |
| Length (mm):      |      |
| Nett Weight (kg): | 0.69 |

### Packaging Dimensions

|                    |      |
|--------------------|------|
| Height (mm):       | 70   |
| Width (mm):        | 280  |
| Depth (mm):        | 360  |
| Gross Weight (kg): | 0.89 |

### Packaging Data

|               |                     |
|---------------|---------------------|
| Box Colour:   | Brown Cardboard Box |
| Box Qty:      | 0                   |
| Label Size:   | 0 x 0               |
| Label Colour: | White Label         |
| Label Qty:    | 0                   |

### Outer Box Dimensions (If Applicable)

|                    |               |
|--------------------|---------------|
| Height (mm):       | 370           |
| Width (mm):        | 295           |
| Depth (mm):        | 375           |
| Length (mm):       |               |
| Gross Weight (kg): | 5             |
| Barcode:           | 5056678401163 |

### Product Details

|                           |                       |
|---------------------------|-----------------------|
| Country of Origin:        | China                 |
| Fitting Instruction:      | Yes                   |
| Product Material:         | Brass                 |
| Control Type:             | Manual                |
| Waste Included:           | Waste Not Included    |
| Waste Type:               | Not Applicable        |
| WRAS Approval: No         | Approval No: N/A      |
| Valve/Cartridge Type:     | 1/4 Turn Ceramic Disc |
| Colour/Finish:            | Brushed Nickel        |
| Mount Type:               | Deck                  |
| Operating Pressure (bar): | 0.5                   |

|                              |                  |              |           |             |             |
|------------------------------|------------------|--------------|-----------|-------------|-------------|
| Flow Rates: (Litres Per Min) | 0.1 bar: 4.2     | 0.5 bar: 8.3 | 1 bar: 12 | 2 bar: 16.8 | 3 bar: 20.6 |
| Pipe Size:                   | 15 mm (1/2" Bsp) |              |           |             |             |
| Pipe Centres:                | N/A              |              |           |             |             |