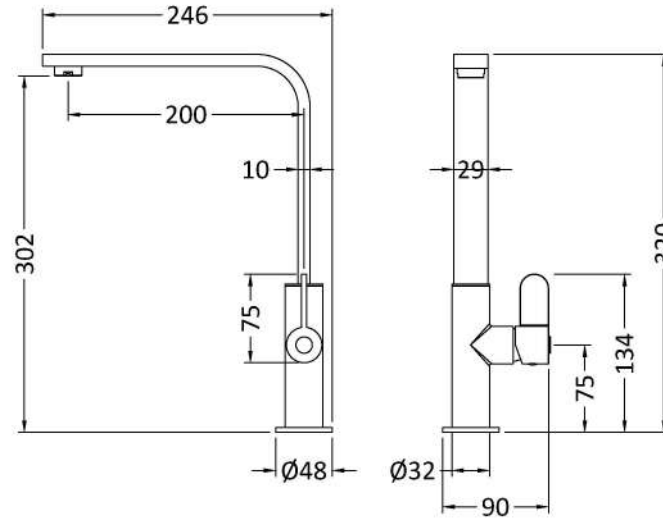


Sales Code: KCH405SL

Description: Churni Mono Single Lever Matt Black



Product Dimensions

| | |
|-------------------|------|
| Height (mm): | 320 |
| Width (mm): | 90 |
| Depth (mm): | 246 |
| Length (mm): | |
| Nett Weight (kg): | 0.95 |

Packaging Dimensions

| | |
|--------------------|------|
| Height (mm): | 70 |
| Width (mm): | 265 |
| Depth (mm): | 415 |
| Gross Weight (kg): | 1.39 |

Packaging Data

| | |
|---------------|---------------------|
| Box Colour: | Brown Cardboard Box |
| Box Qty: | 0 |
| Label Size: | 0 x 0 |
| Label Colour: | White Label |
| Label Qty: | 0 |

Outer Box Dimensions (If Applicable)

| | |
|--------------------|---------------|
| Height (mm): | 370 |
| Width (mm): | 280 |
| Depth (mm): | 395 |
| Length (mm): | |
| Gross Weight (kg): | 5 |
| Barcode: | 5056678400654 |

Product Details

| | |
|---------------------------|-----------------------|
| Country of Origin: | China |
| Fitting Instruction: | No |
| Product Material: | Brass |
| Control Type: | Manual |
| Waste Included: | Waste Not Included |
| Waste Type: | Not Applicable |
| WRAS Approval: No | Approval No: N/A |
| Valve/Cartridge Type: | 1/4 Turn Ceramic Disc |
| Colour/Finish: | Matt Black |
| Mount Type: | Deck |
| Operating Pressure (bar): | 0.5 |

Flow Rates: (Litres Per Min) 0.1 bar: 1.8 0.5 bar: 3.4 1 bar: 4.6 2 bar: 6.3 3 bar: 7.7

Pipe Size: 15 mm (1/2" Bsp)

Pipe Centres: N/A