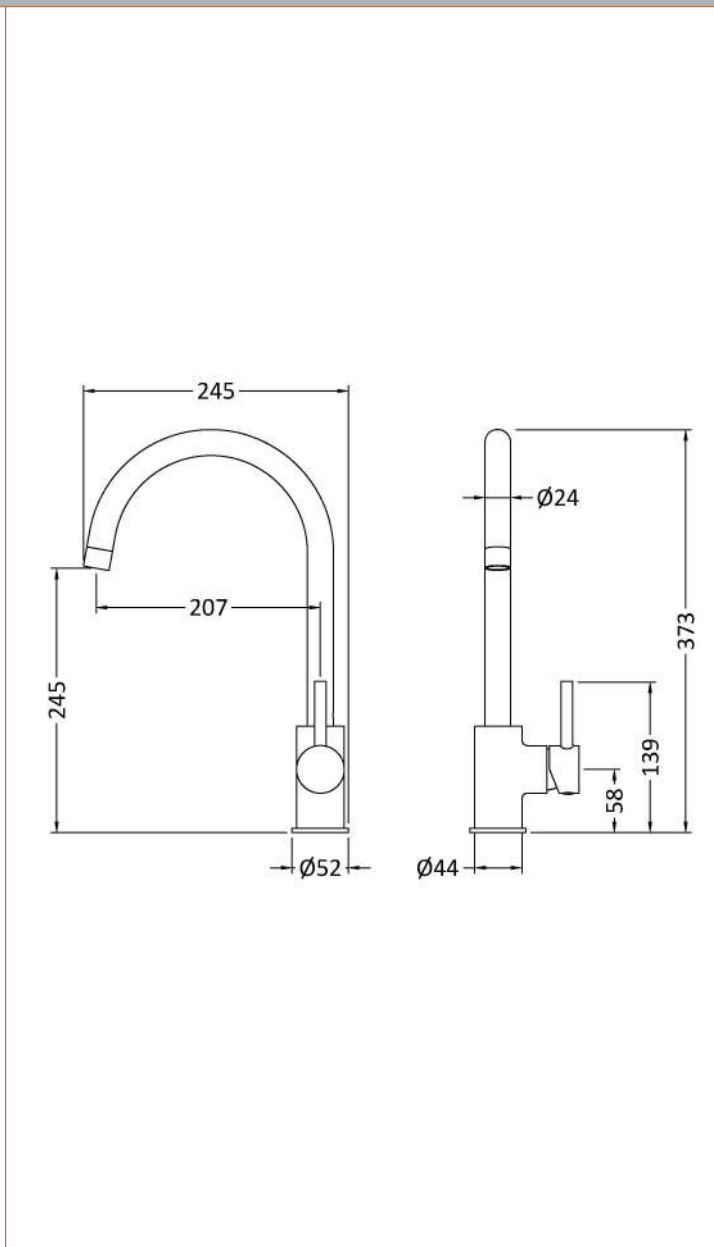


Sales Code: KLA305SL

Description: Lachen Mono Single Lever Chrome



Product Dimensions

Height (mm):	373
Width (mm):	90
Depth (mm):	245
Length (mm):	
Nett Weight (kg):	1

Packaging Dimensions

Height (mm):	75
Width (mm):	320
Depth (mm):	410
Gross Weight (kg):	1.48

Packaging Data

Box Colour:	Brown Cardboard Box
Box Qty:	0
Label Size:	0 x 0
Label Colour:	White Label
Label Qty:	0

Outer Box Dimensions (If Applicable)

Height (mm):	395
Width (mm):	335
Depth (mm):	370
Length (mm):	
Gross Weight (kg):	5
Barcode:	5056678400821

Product Details

Country of Origin:	China
Fitting Instruction:	No
Product Material:	Brass
Control Type:	Manual
Waste Included:	Waste Not Included
Waste Type:	Not Applicable
WRAS Approval: No	Approval No: N/A
Valve/Cartridge Type:	1/4 Turn Ceramic Disc
Colour/Finish:	Chrome
Mount Type:	Deck
Operating Pressure (bar):	0.5

Flow Rates: (Litres Per Min)	0.1 bar: 3.4	0.5 bar: 5.9	1 bar: 8.2	2 bar: 11.4	3 bar: 13.8
Pipe Size:	15 mm (1/2" Bsp)				
Pipe Centres:	N/A				