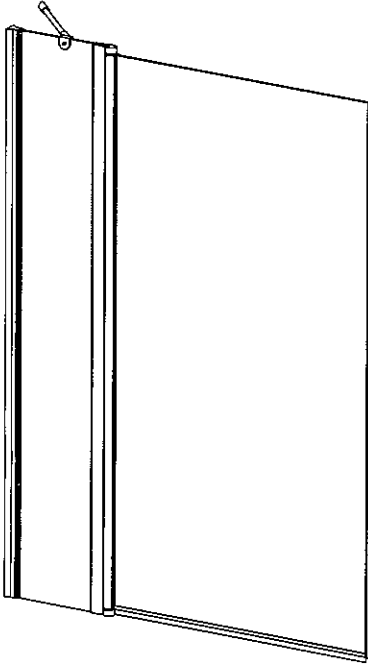


ASSEMBLY INSTRUCTIONS

STRAIGHT SQUARE SCREEN WITH PANEL



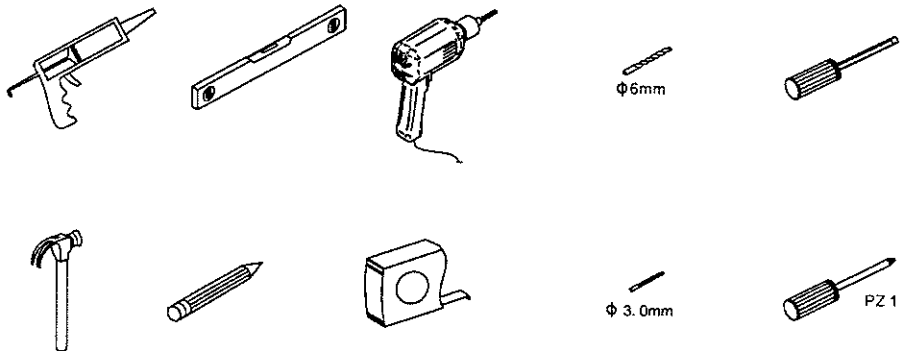
General Information

Please inspect this product upon delivery. Any missing parts or manufacturing defects must be reported immediately to the supplier. Damage or defects reported later will not be accepted. **TAKE CARE WHEN HANDLING GLASS PARTS - AVOID HEAVY CONTACT BETWEEN THE GLASS EDGES AND ANY HARD SURFACE.** Glass breakage claims will not be accepted after the product has been unpacked.

Aftercare instructions

Regularly clean your shower product with warm soapy water to prevent lime scale build up. **DO NOT** use abrasive cleaning fluids or materials, or strong chemical cleaners as this will damage the product surface.

Tools Required

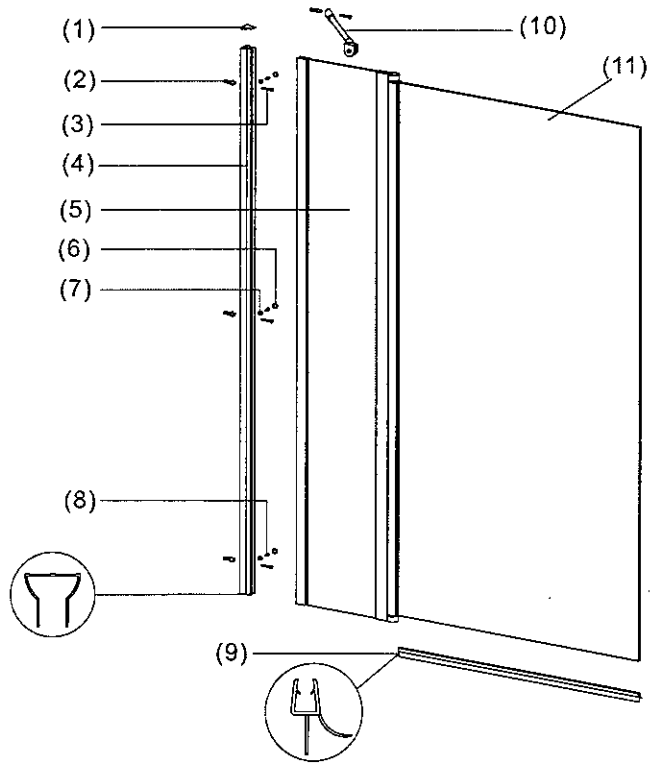


Fits left or right hand applications

This product is heavy and may require two people to install.

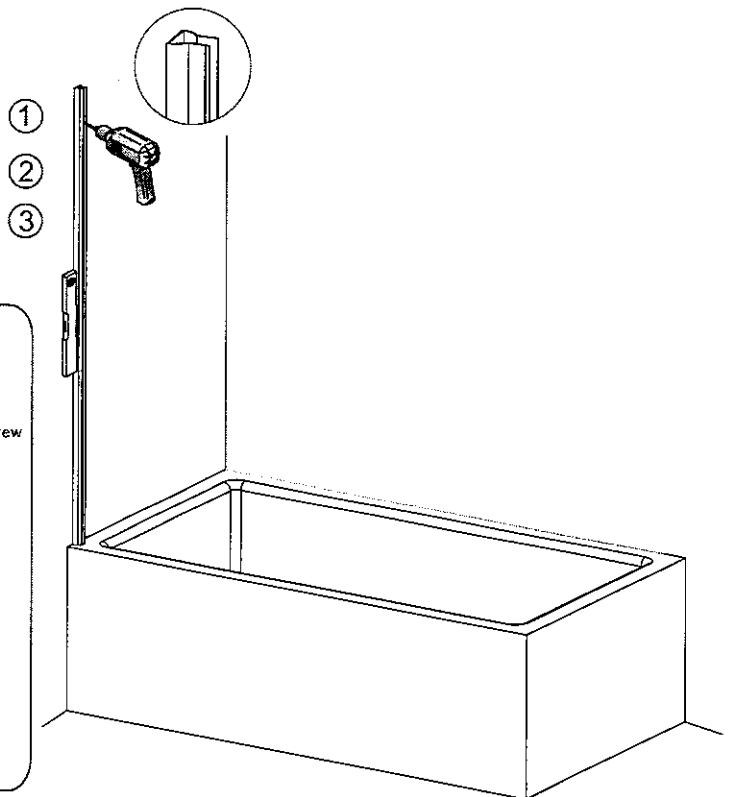
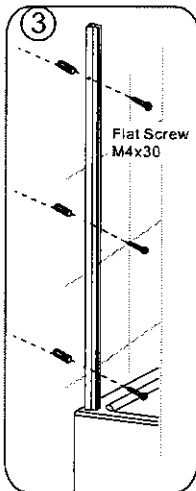
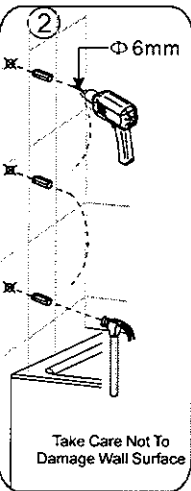
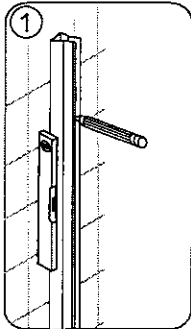
Assembly Drawing

- (1) 1xCover Cap
- (2) 3xWall Plugs
- (3) 3xScrews M4X30
- (4) 1xWall Posts
- (5) 1xFixed glass Panel
- (6) 3xCover Caps
- (7) 3xScrew Clip
- (8) 3xScrews M4X12
- (9) 1x Bottom Seal
- (10) 1xRail Wall Bracket
- (11) 1xPivoting glass panel



Installation Steps

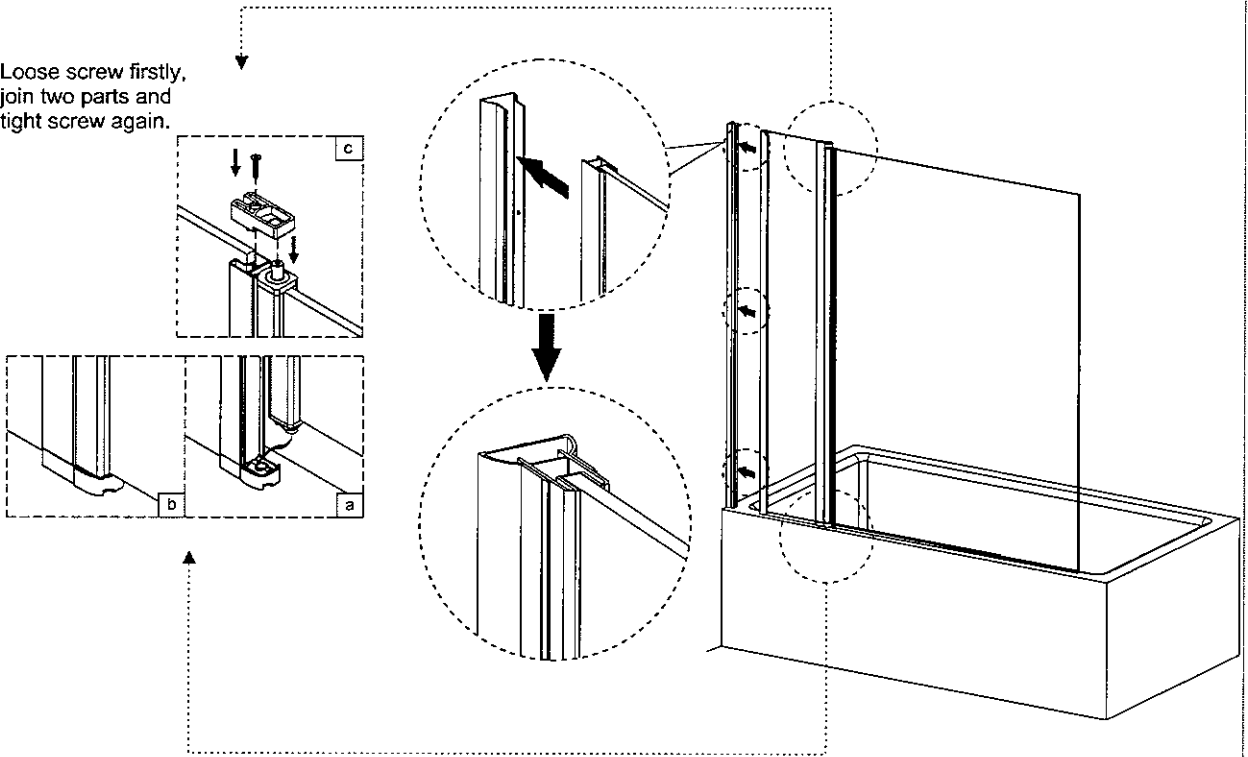
Step 1



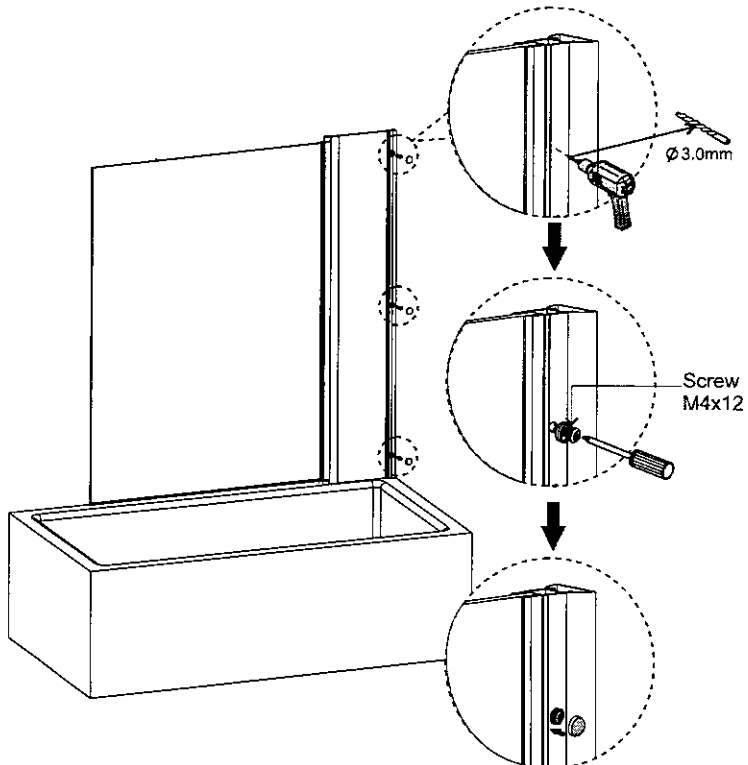
Step 2

Before putting with wall profile, connecting two panels.

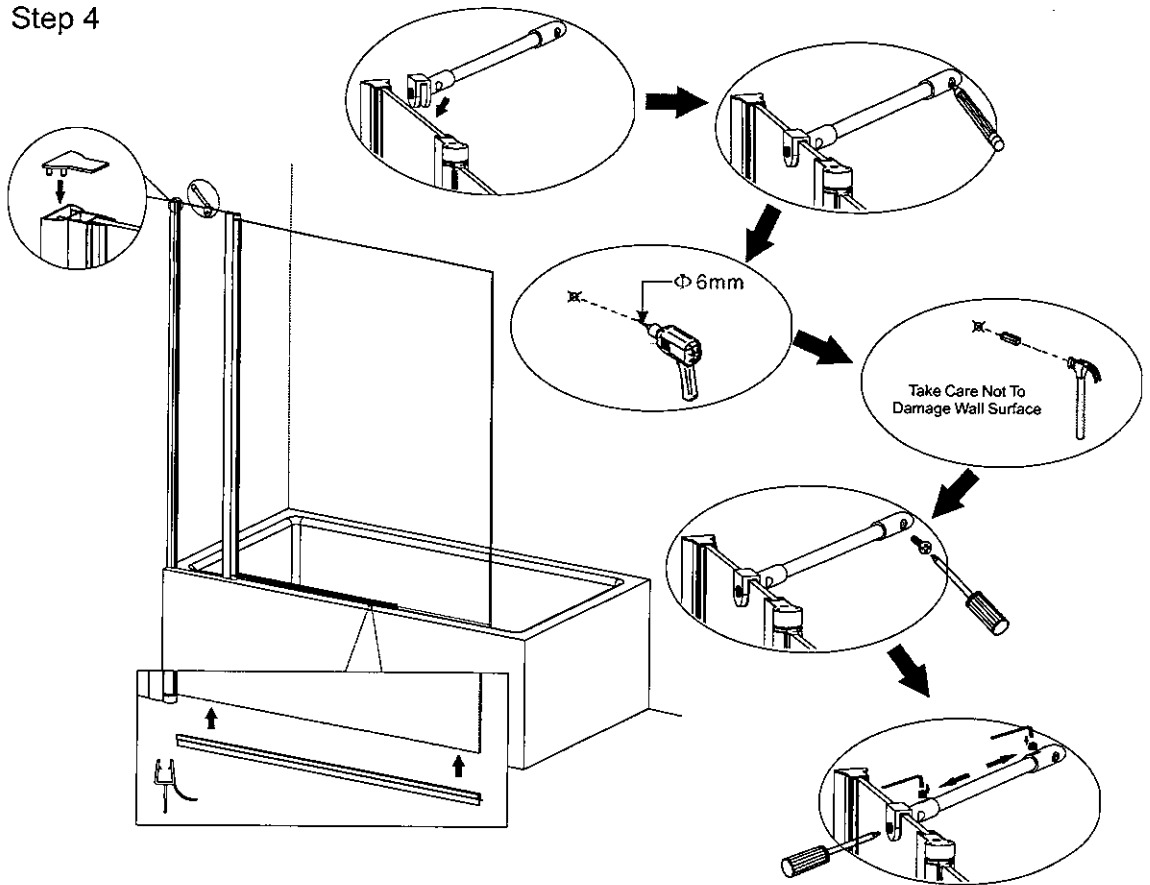
Loose screw firstly,
join two parts and
tight screw again.



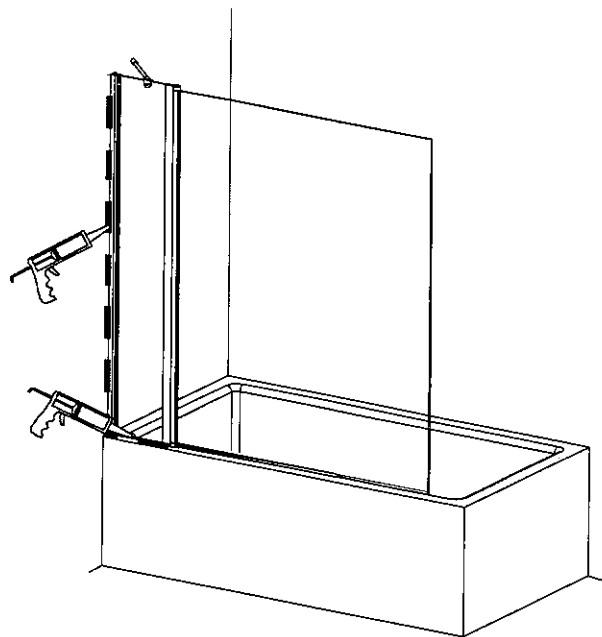
Step 3



Step 4



Step 5



Silicone (outside edge only) where the vertical profile meets the wall, and the glass panels where they sit on the bath.