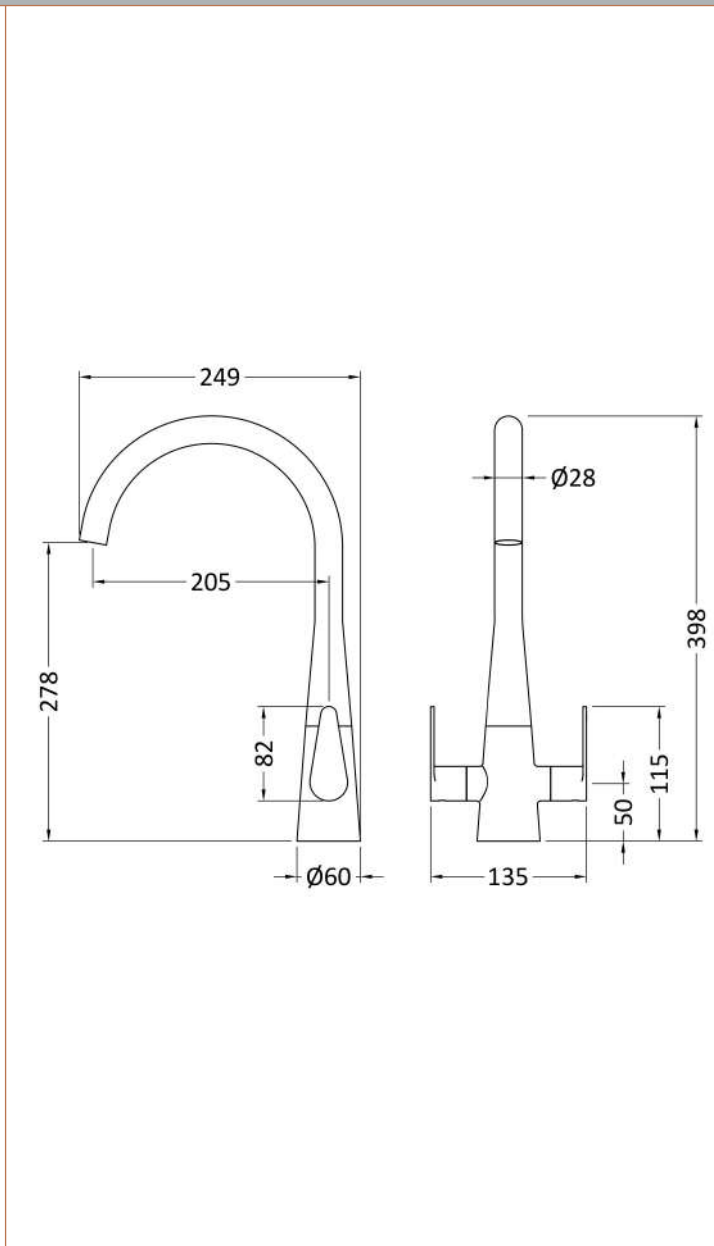


Sales Code: KSA305DL

Description: Samir Mono Dual Lever Chrome



Product Dimensions

Height (mm):	398
Width (mm):	135
Depth (mm):	245
Length (mm):	
Nett Weight (kg):	1.75

Packaging Dimensions

Height (mm):	75
Width (mm):	320
Depth (mm):	430
Gross Weight (kg):	2.38

Packaging Data

Box Colour:	Brown Cardboard Box
Box Qty:	0
Label Size:	0 x 0
Label Colour:	White Label
Label Qty:	0

Outer Box Dimensions (If Applicable)

Height (mm):	395
Width (mm):	335
Depth (mm):	445
Length (mm):	
Gross Weight (kg):	18
Barcode:	5056678400876

Product Details

Country of Origin:	China
Fitting Instruction:	No
Product Material:	Brass
Control Type:	Manual
Waste Included:	Waste Not Included
Waste Type:	Not Applicable
WRAS Approval: No	Approval No: N/A
Valve/Cartridge Type:	1/4 Turn Ceramic Disc
Colour/Finish:	Chrome
Mount Type:	Deck
Operating Pressure (bar):	0.5

Flow Rates: (Litres Per Min)	0.1 bar: 2.3	0.5 bar: 5	1 bar: 7.1	2 bar: 10	3 bar: 12.3
Pipe Size:	15 mm (1/2" Bsp)				
Pipe Centres:	N/A				