

PRODUCT DATA SHEET

Kingston Chrome Kitchen Tap

Product Code: KT12



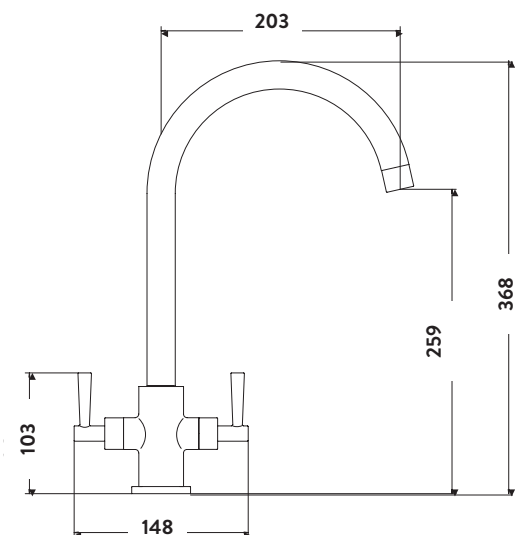
SCUDO
BEAUTIFUL BATHROOMS

0330 124 7290

sales@scudo.co.uk - www.scudo.co.uk

Scudo is the trading name of Harrison Bathrooms Ltd. Whilst we endeavour to ensure that the product information is accurate we accept no liability for any information given. All images are for illustration purposes only. Product images and specification are subject to change. Measurement are in millimetres and are nominal.

Product Measurements	
Product Weight:	1.115kg
Product Width:	148mm
Product Height:	367.5mm
Product Depth:	203mm
Product Length:	N/A
Product Transportation	
Barcode:	5060500640262
Country of Origin:	China
Comodity Code:	8481801190
Primary Packed Measurements	
Packaged Weight:	1.25kg
Packaged Length:	360mm
Packaged Width:	220mm
Packaged Height:	550mm
Packaging Weight	
Card:	0.084kg
Paper:	N/A
Wood:	N/A
Plastic:	5.5kg
General Information	
Construction Material:	Brass/Stainless Steel
Installation Type:	Deck Mounted
Colour/Finish:	Chrome
Tap/Shower Attributes	
Maximum Pressure:	0.2
Minimum Pressure:	5
Flexible Tails Included:	Yes
Tap Hole Required:	1
Handle Type:	Lever
Swivel Spout:	Yes
Inlet Connection:	1/2" M10
Outlet Connection:	N/a
Tap Hole Diameter:	35mm
Tap Type Description:	Manual Mixer
Includes Waste:	No
Valve / Cartridge Type:	Quarter Turn Cartridge
Cartridge Spare Code:	T7507-08
Flow Rates	
0.2bar (l/min)	4.2
0.5bar (l/min)	6.7
1bar (l/min)	8.9
2bar (l/min)	12.45
3bar (l/min)	15.2
Compliance DOP	
HBD0C007 / HBD0C008	
For Part G Building regulations, compliance see flow regulator section of spec binder.	



Dimensions
(measurements in mm)



LIFETIME GUARANTEE

We are confident in our products and we want our customer to be, we proudly give a lifetime guarantee on our taps and showers, further details can be found on our website