

REFLECTIONS BY



USER MANUAL

K-VIT MIRRORS

HARDWIRED CONFIGURATION

GET THE MOST OUT OF YOUR MIRROR!

Thank you for choosing Reflections by K-VIT

This product has been carefully crafted, meticulously inspected and packaged before shipment just for you.

Before you start enjoying an amazing new experience in your bathroom please read this guide and follow the instructions for safe use.

Lights on!

Use the sensor switch on your mirror to turn on the light.



Forget about foggy mirrors!

Once the mirror is lit up, the Demister will automatically start to warm up the surface of your mirror, keeping it clear from fog when having a shower or bath.



Don't look for extensions and plugs!

Use the charge station in the mirror to plug-in your electric shaver or toothbrush, simple and convenient.



Clear reflection and rust proof!

This wonderful mirror is made with Copper-free coating, giving you more vibrant reflection and colours when used together with lighting.

Plus its coated technology keeps it safe from rust for a longer time than usual mirrors.

IMPORTANT PRECAUTIONS

DO NOT install mirror on tiled or concrete surface.

Preferably unpack the mirror at the moment of installation.

Do not take off the protective plastic until installation is complete to avoid damaging the corners.

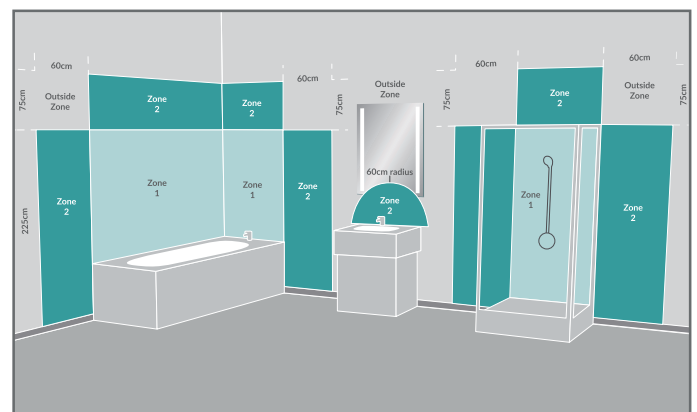
Care must be taken before drilling pilot holes to avoid any existing wiring or pipe work that may be concealed.

Confirm that the wall can support the weight of the mirror.

A certified electrician must perform all work.

This product should only be installed in zone 2 of your bathroom according to regulations.

The Charge Station voltage is 220v recommended for electric shaver use mainly.



SPLASHPROOF



LEAD FREE MIRROR

LONG-LASTING BRIGHTNESS

Your Mirror has LED chips with a 50,000 hour lifespan

Effective usage of Led Chips goes up to 27 years!

But not just that, our mirror are also IP44 certified and ready for use in Bathroom Zone 2!



PRECAUTIONS WHEN CLEANING



When cleaning your Smart Mirror use non-abrasive cleaner with neutral PH or recommended products for Glass cleaning, using a soft piece of cloth and drying it well.

First remove all dust with the soft piece of cloth cleaning the whole surface of the mirror.



Spray a little of non-abrasive cleaner or Alcohol on the surface of the mirror and clean it with another soft piece of cloth, before the alcohol vaporizes.

Note: try not to use non-cleaning mirror chemicals and excess of soap or alcohol, hence the chemicals in excess can accelerate the corrosion of the back cover.



CLEAN IT LIKE A PRO

GLASS AND MIRROR

Please Note

Products with an IR Sensor must be installed with a minimum of 200mm between the sensor and any solid object or reflective surface.

Guarantee

Once received carefully inspect your mirror for any damage.

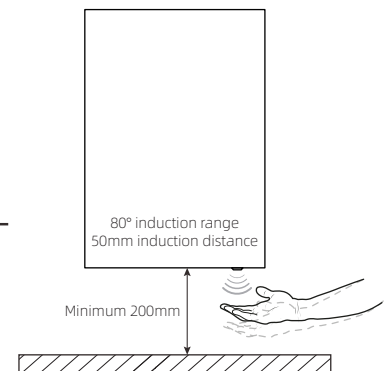
Mirrors come with a 3 year guarantee subject to company policy.

In the case of any issue's please contact the company you purchased the item from.

Technical Support

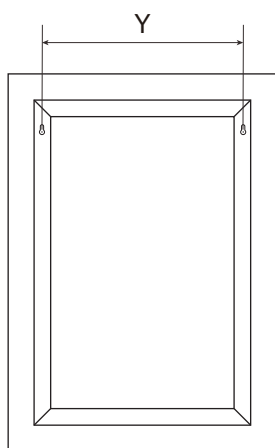
For technical support with any of our products,

email: customerservice@kartelluk.com or call: 0330 808 5049

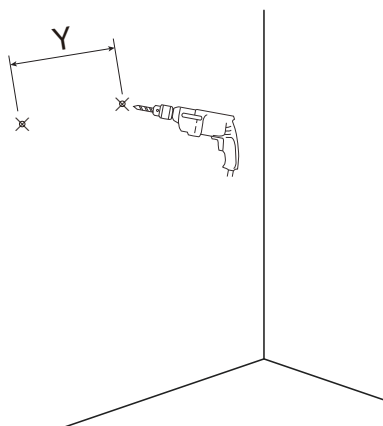


Installation Steps

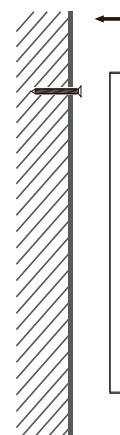
1



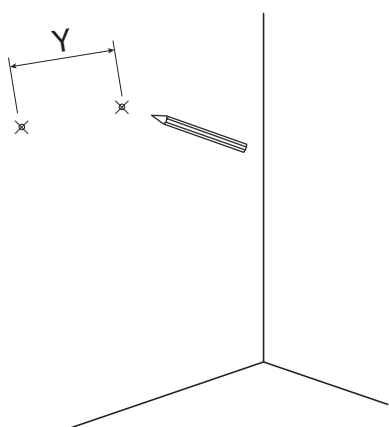
3



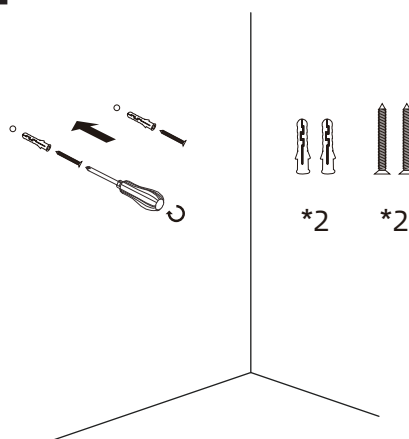
5



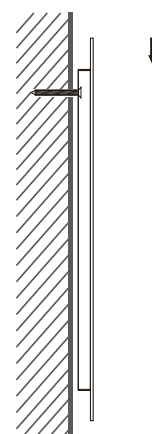
2



4



6



FOR YOUR SAFETY:

- During Operation, never put hard and sharp materials directly against the mirror surface, or otherwise, it may result in current leakage and even personal injury.
- Like with any electrical item, always turn off the power switch on stormy days, as lightning may damage electric elements of the product.
- During normal operation, never forcibly pull out the power plug to stop the product, or otherwise, electric elements of the product may be damaged.
- Please pull out the power plug if the product is not used for a long time.

