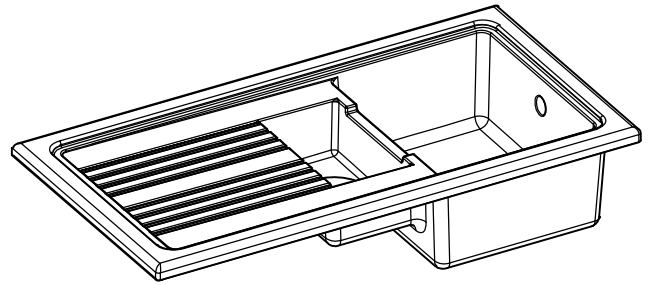
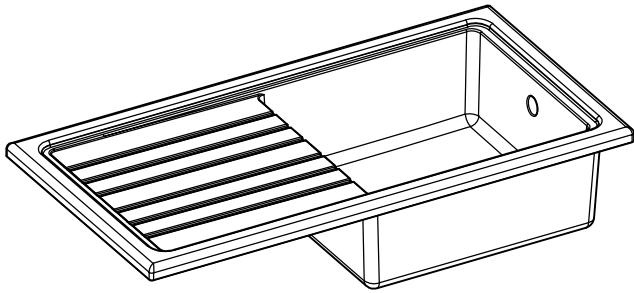


# GENERAL FITTING GUIDE - FIRECLAY KITCHEN SINKS



## TOOLS REQUIRED

Ruler/Tape Measure	Pencil or Non-Permanent Marker
Masking Tape	Safety Glasses and Gloves
Kitchen Silicone Sealant	Screwdriver
Hammer	Half Round Tile File
Drill	Jigsaw & Suitable Blade (if work top cutout is required)
4mm Masonry Drill	Sharp Ended Nail Punch

FIG 1

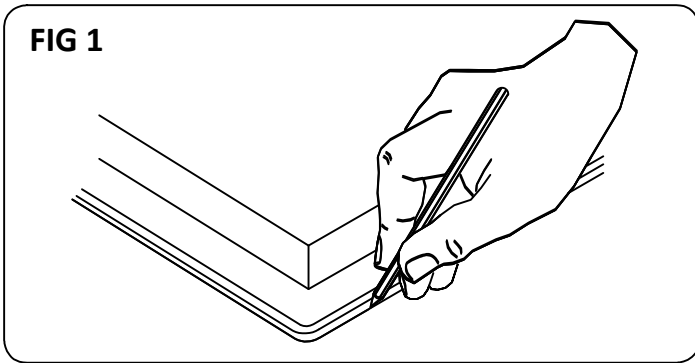


FIG 2

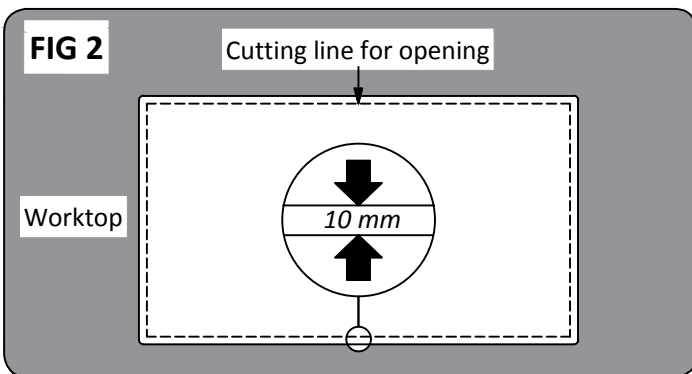
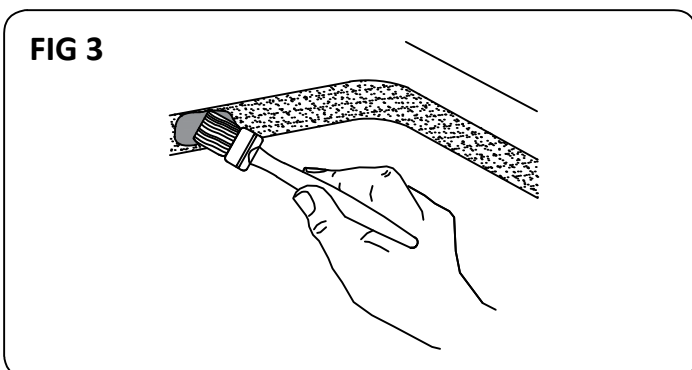


FIG 3



## SEALING THE EDGES OF THE OPENING

We recommend that porous edges around the cut-out are sealed using a waterproof sealant such as varnish, paint or wood glue. This will prevent swelling of the worktop should any small leaks occur (Fig 3).

## INSTALLER

Please leave this leaflet with the user, as it contains valuable after care advice. These instructions are applicable to both Left Hand and Right Hand Drainer sinks.

## NOTES

- During installation, take care to protect the sink from scuffs and scratches.
- Do not stand on the sink.
- During installation, do not stand the sink on its edges or corners. This may cause damage.
- Avoid straining and over tightening of all plumbing fixtures connected to the sink.
- Carefully check that the moulding and edges of the sink are dead level so that water will flow off the drainer.

## PREPARING THE WORKTOP

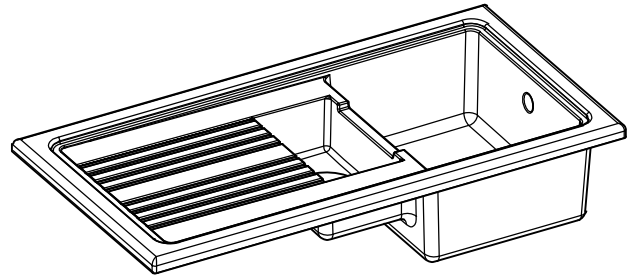
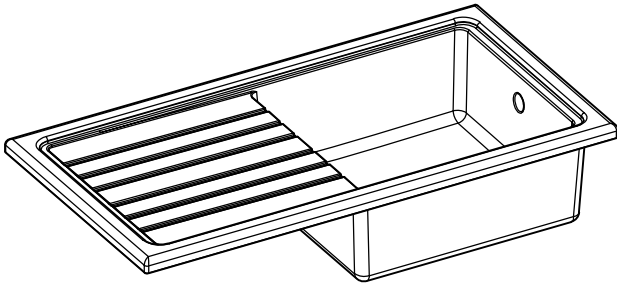
### Marking out the opening

We recommend that you fit the sink to the worktop before permanently fixing the worktop to the cabinet.

Decide the approximate position your sink is to be fitted, paying particular attention to where the taphole is to be fitted and proceed to cut your worktop and install your ceramic sink as follows:

1. Place the sink upside down on the worktop. Position the sink on the worktop as required. Make sure the cabinet framework will clear all parts of the sink. Using a soft, sharp pencil draw around the sink as accurately as possible (Fig 1). Remove the sink and check that the marked dimensions are the same as your sink.
2. For ceramic sinks installation, draw another line 10mm inside the sink top outline - this is the cutting line for the opening (Fig 2).
3. Drill as large a hole as possible inside the cutting line. Using a pad saw, jigsaw or similar, cut out the opening up to the cutting line.
4. Check that the sink fits in the cut-out, if it does not fit perfectly, some localised enlargement of the hole may be necessary.

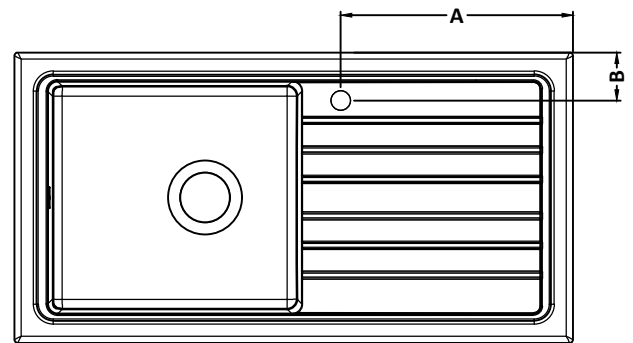
# GENERAL FITTING GUIDE - FIRECLAY KITCHEN SINK TAP DRILLING



## TOOLS REQUIRED

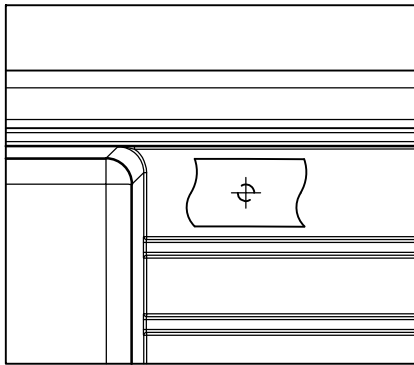
TAPE MEASURE
PENCIL or MARKER
MASKING TAPE
HOLE SAW with DIAMOND TIPPED CUTTER
DRILL
FILE or SANDPAPER

1. DETERMINE THE POSITION OF THE HOLE. CENTRAL TO THE FIRST RIB ON THE DRAINER IS OUR RECOMMENDATION (See Below). ENSURE THERE IS SUFFICIENT SPACE UNDERNEATH FOR THE TAP FIXING.

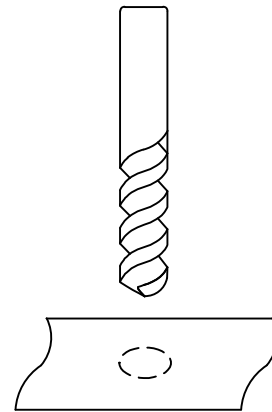


SINGLE BOWL SINK A - 420mm B - 87mm  
DOUBLE BOWL SINK A - 518mm B - 91mm

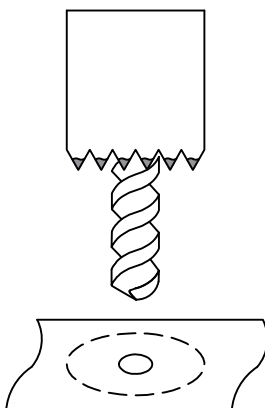
2. USE MASKING TAPE TO PROTECT THE SINK SURFACE AND MARK YOUR DESIRED POSITION WITH A PENCIL OR MARKER.



3. DRILL A PILOT HOLE THROUGH THE CENTRE OF THE MARK. THIS WILL HELP YOU WITH THE POSITIONING THE 35mm CUTTER.



4. USING A 35mm HOLE SAW WITH A DIAMOND TIPPED CUTTER, POSITION THE GUIDING DRILL BIT INTO THE PILOT HOLE. USE A STEADY HAND AND GENTLY DRILL THROUGH THE SURFACE.



5. ENSURE ANY ROUGH EDGES ARE REMOVED WITH A FILE OR SANDPAPER. REMOVE THE MASKING TAPE AND FIT THE TAP.

