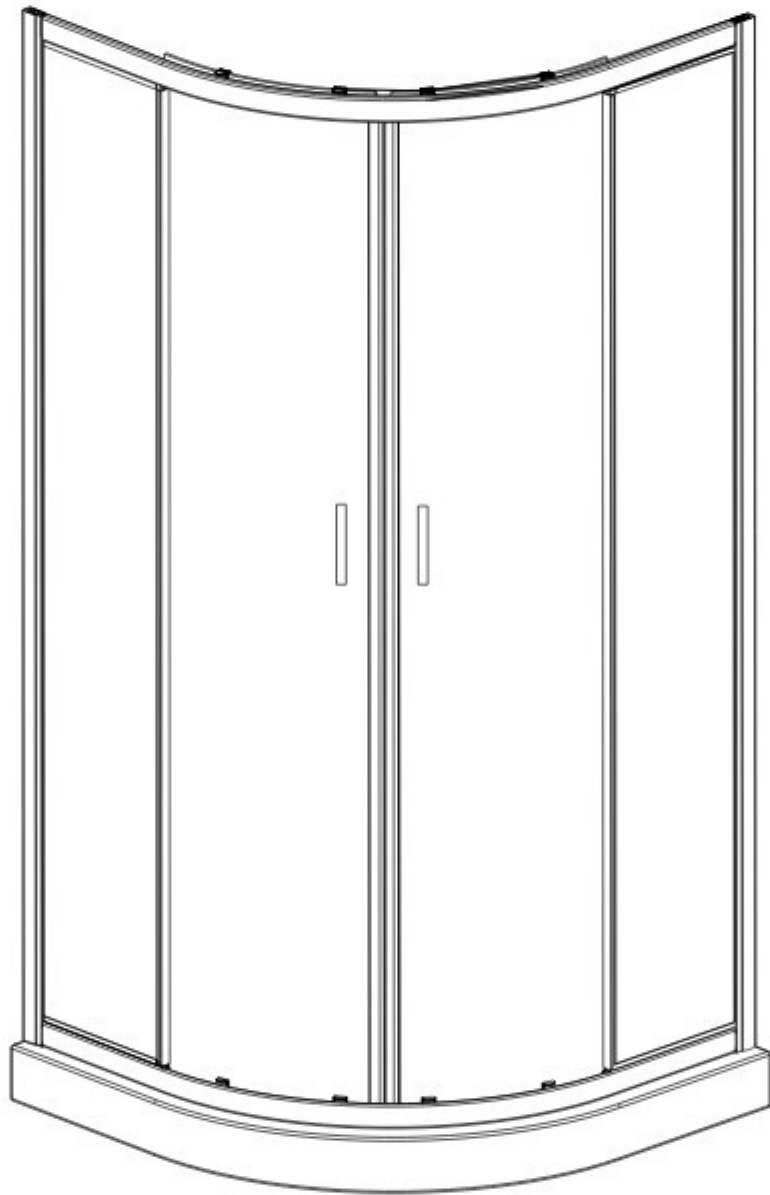


# ASSEMBLY INSTRUCTIONS

## 6MM Quadrant Door



This product is universal, not handed

## General Information

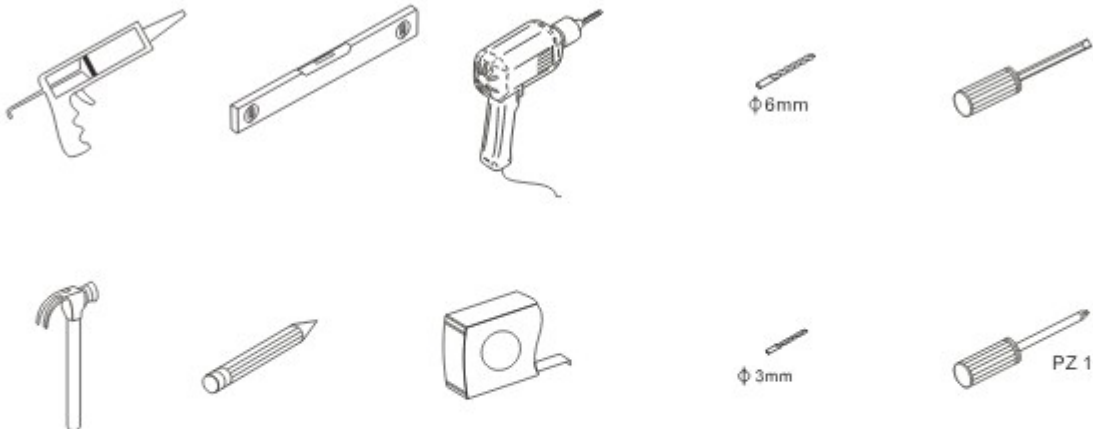
Please inspect this product upon delivery. Any missing parts or manufacturing defects must be reported immediately to the supplier. Damage or defects reported later will not be accepted. TAKE CARE WHEN HANDLING GLASS PARTS - AVOID HEAVY CONTACT BETWEEN THE GLASS EDGES AND ANY HARD SURFACE. Glass breakage claims will not be accepted after the product has been unpacked.

## Aftercare instructions

Regularly clean your shower product with warm soapy water to prevent lime scale build up. DO NOT use abrasive cleaning fluids or materials, or strong chemical cleaners as this will damage the product surface.

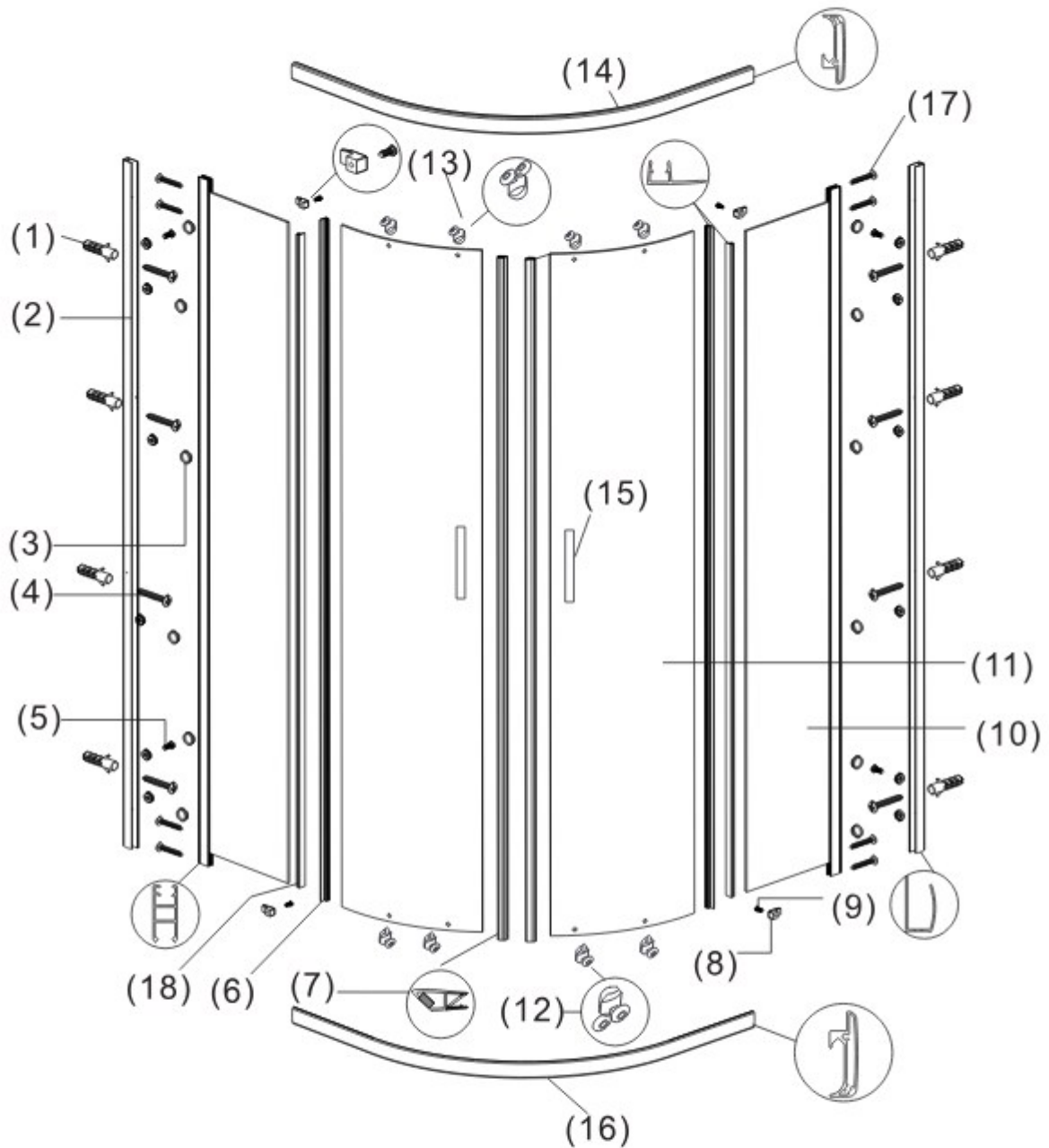
---

## Tools Required



**This product is heavy and may require two people to install.**

# Assembly Drawing

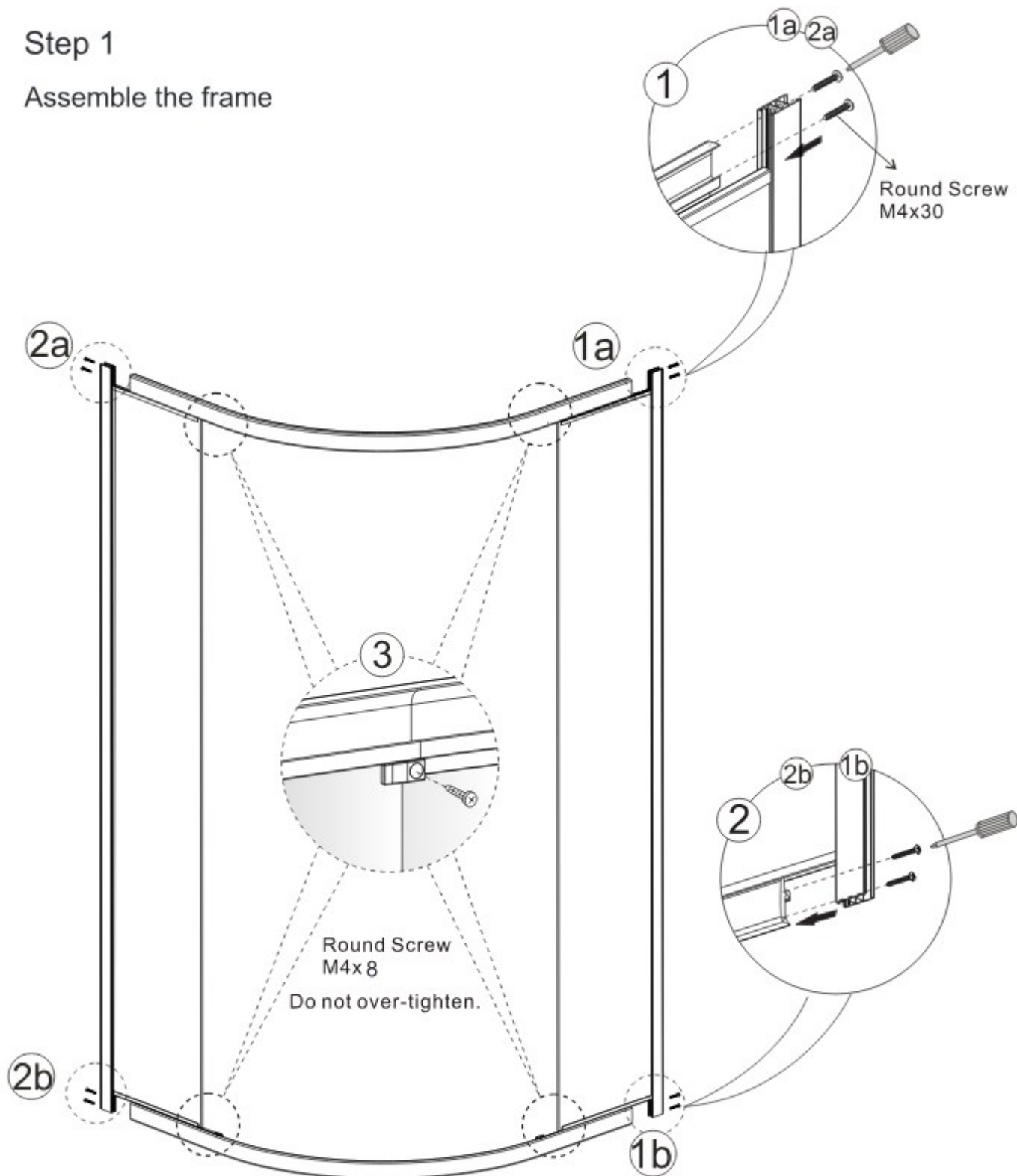


- |  |  |
|--|--|
| (1) 8xWall Plugs                                 | (10) 2xFixed Glass Panels                        |
| (2) 2xWall Posts                                 | (11) 2xCurved Glass Doors                        |
| (3) 14 xChrome Screw Cover Caps                  | (12) 4xQuick Release Bottom rollers              |
| (4) 8xScrews M4x30                               | (13) 4x Top rollers                              |
| (5) 6xScrews M4x12                               | (14) 1xTop Horizontal Rail                       |
| (6) 2xPlastic Water Deflectors<br>(Moving panel) | (15) 2xPairs of handles                          |
| (7) 2xPlastic Magnet Seals                       | (16) 1xBottom Horizontal Rail                    |
| (8) 4xGlass Clamps                               | (17) 8xScrews M3.5x30                            |
| (9) 4xScrews M4x8                                | (18) 2xPlastic Water Deflectors<br>(Fixed panel) |

# Installation Steps

## Step 1

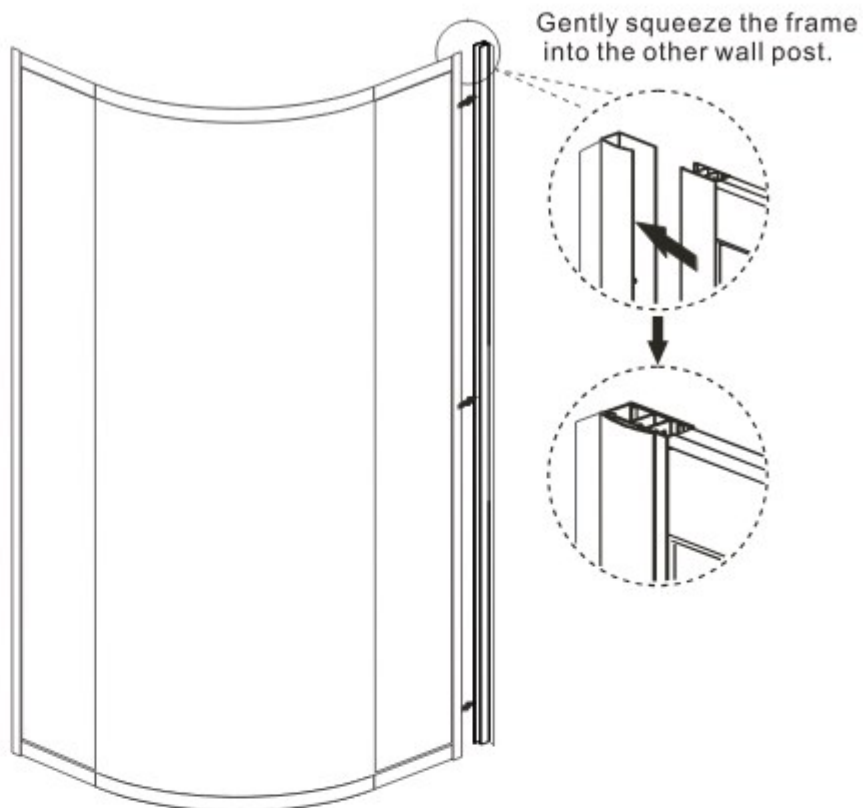
Assemble the frame



Please note: maybe causes of transport, the two ends of glass side profile is not balance, for your easy and fast installing, please using rubber hammer to hit one end of profile making balance.

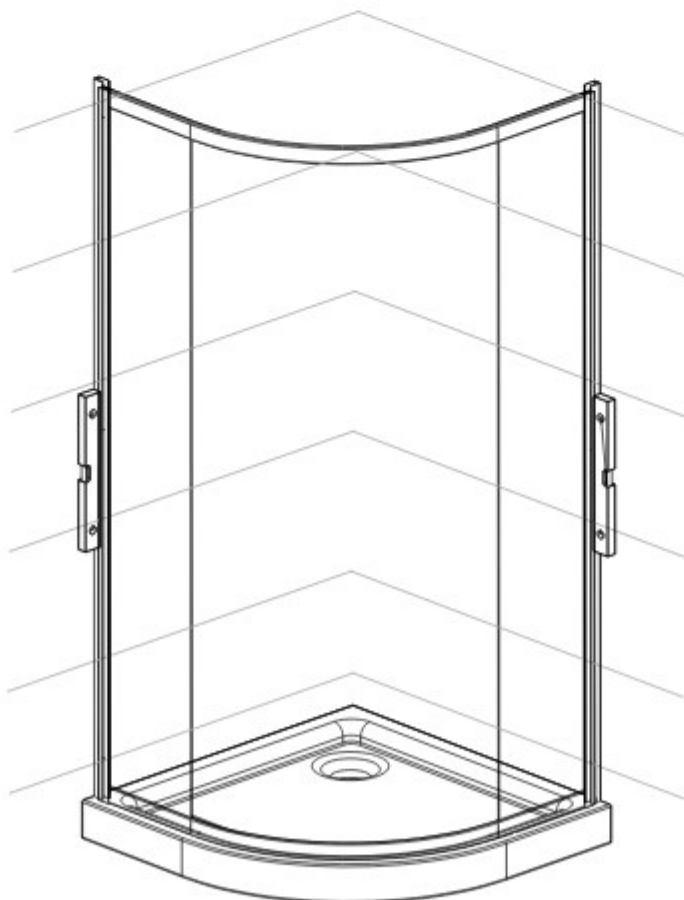
## Step 2

Push the wall channels onto the frame  
Repeat this process both sides.

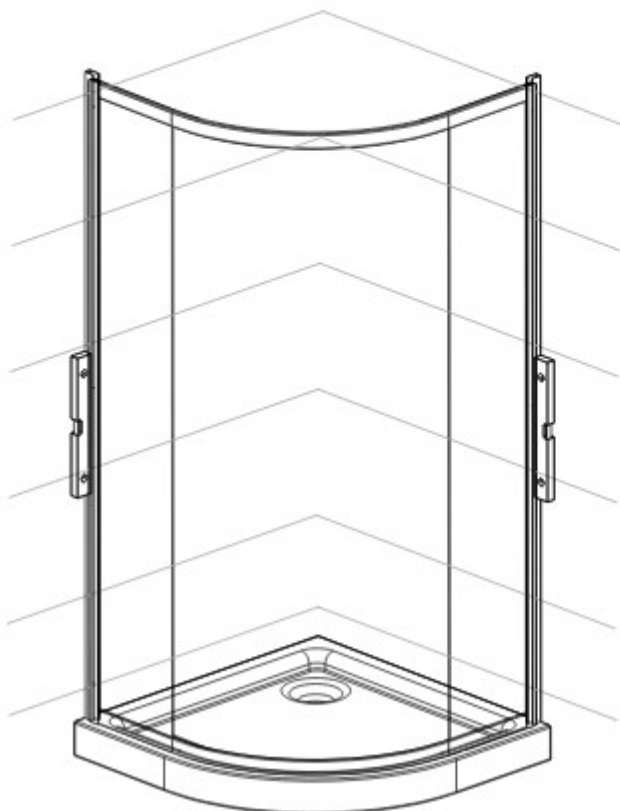


## Step 3

Lift the frame (including the wall channels) onto the tray and make sure the frame is positioned evenly

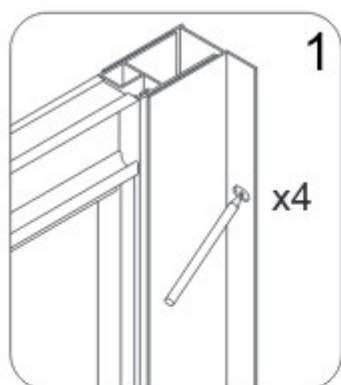


## Step 4



Lift the frame (including the wall profiles) onto the tray and make sure the frame is positioned evenly.

## Step 5

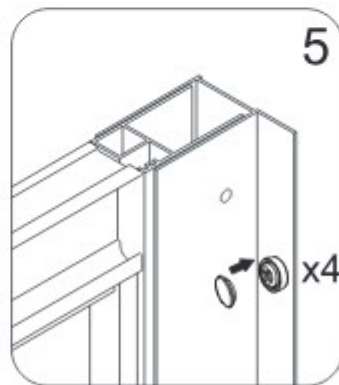
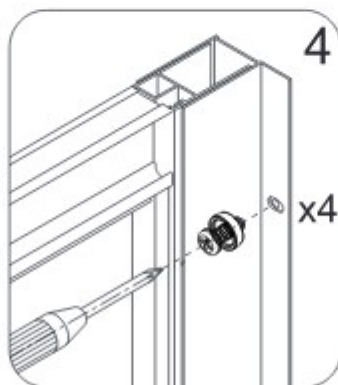
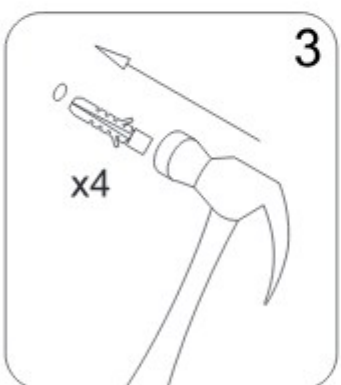


Mark the drill holes on the wall through the holes on the flange of the wall profile.

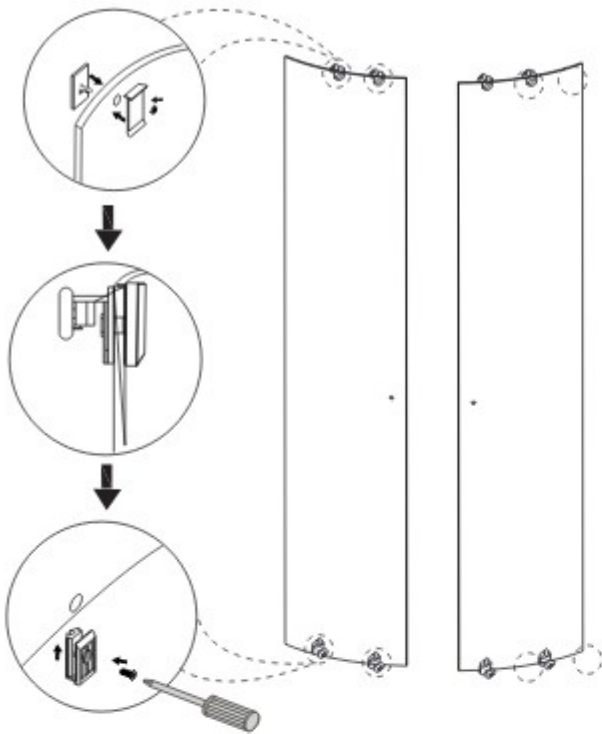
Gently set the assembled unit aside, drill the holes, then place the whole shower enclosure back into the right position and secure it to the wall using the screws.

Cover the screw cap.

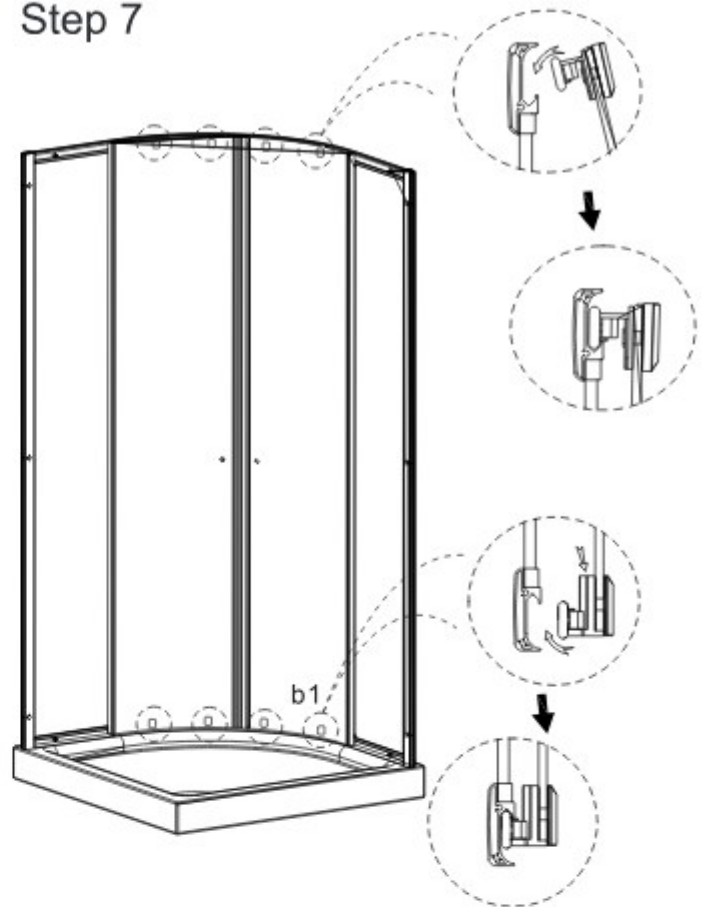
Repeat this process on the other side.



### Step 6

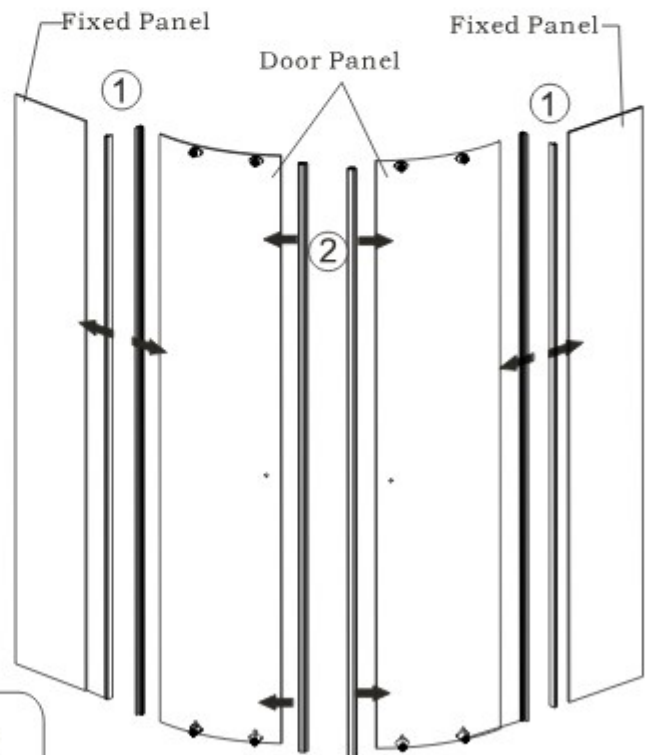
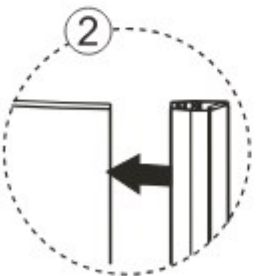
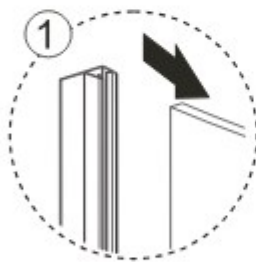


### Step 7



### Step 8

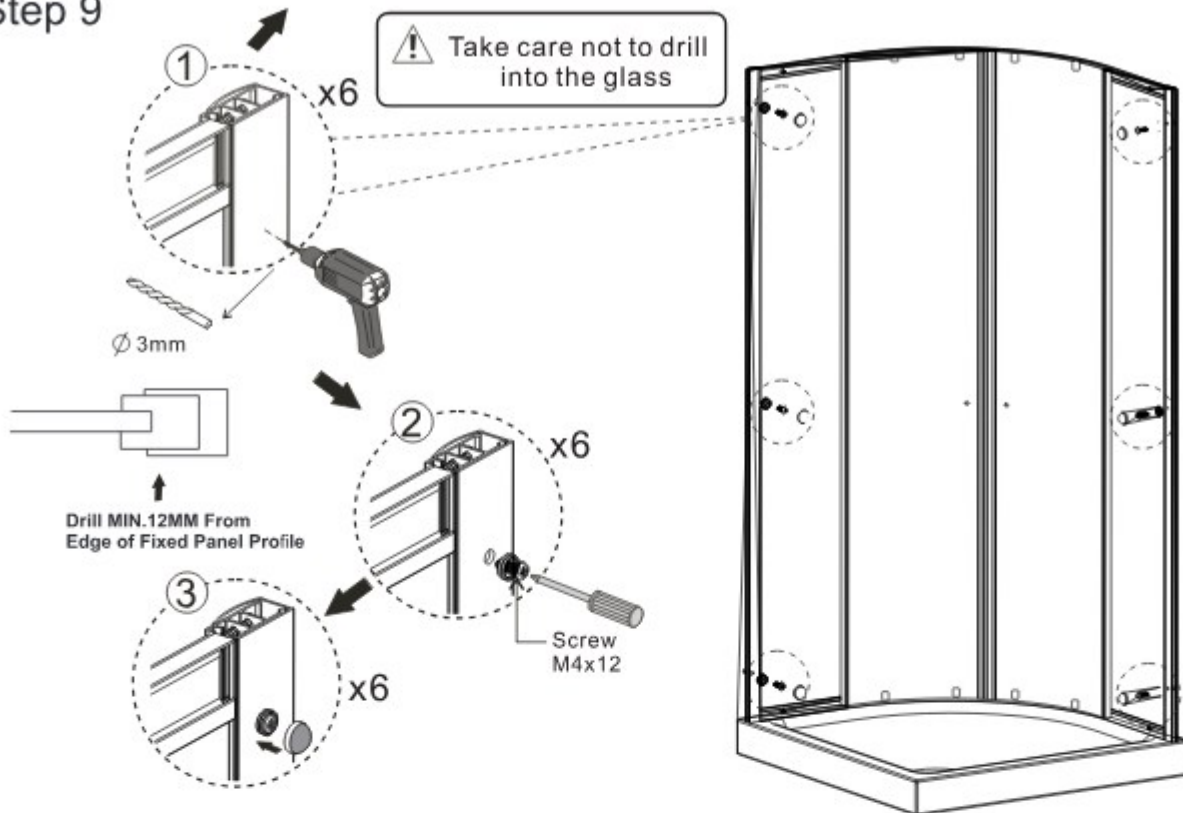
Fitting Water Deflectors+Magnet Seals:



Ensure wall profiles are plumb. Adjust enclosure to be square and level. Wheels should be adjusted to square the doors and ensure smooth running, using the adjusting screws underneath the top rollers.

Drill Min 12mm From Edge of Fixed Panel Profile

### Step 9



### Step 10

