

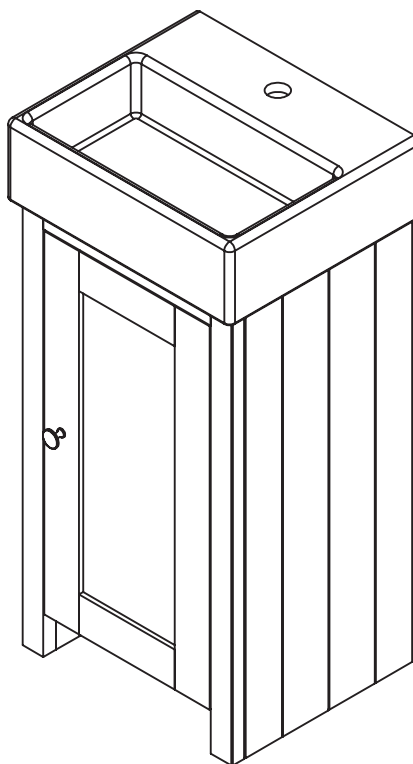
LANSDOWN 400 CLOAKROOM UNIT (LAN400C.LW/LAN400C.PG)

INSTALLATION AND AFTERCARE INSTRUCTIONS

TAVISTOCK
inspiring bathrooms

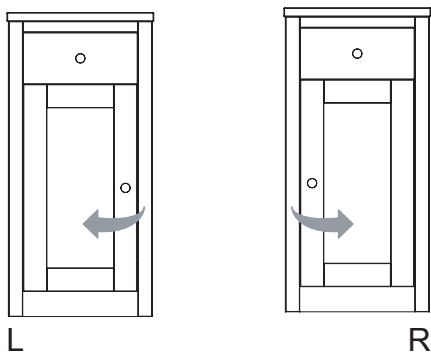
Before You Start

It is recommended that the unit and basin are secured to a suitably reinforced wall to ensure stability. This can be done through the back rail (fixings not included).



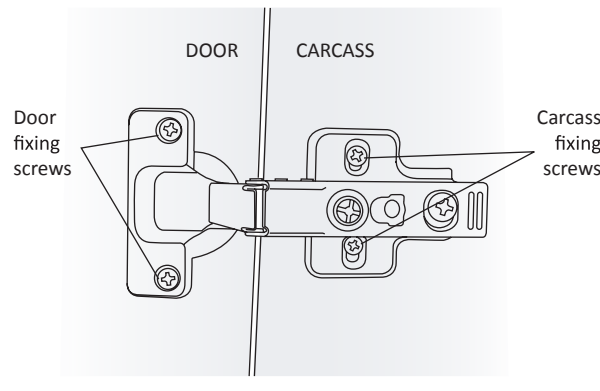
Door Reversing

Step 1



Depending on the intended location of the unit, you have the option of choosing whether you want a left or right hand opening door.

Step 2



Choose the desired handing and fix hinges to the door and then the carcass. Holes are also provided on both ends of the door for the badge attachment to be fitted once the desired hinge position is chosen.

LANSDOWN 400 CLOAKROOM UNIT (LAN400C.LW/LAN400C.PG) INSTALLATION AND AFTERCARE INSTRUCTIONS



Furniture Aftercare Instructions

As with all wooden furniture, this product should be treated with care.

We Recommend...

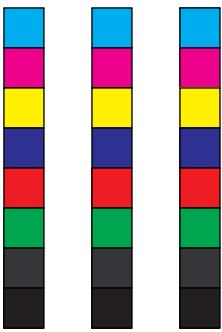
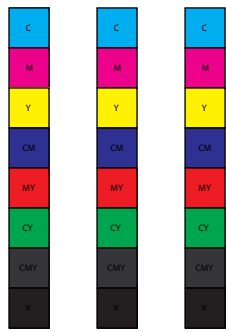
- Wipe away any water splashes or condensation after use. Excessive exposure to water will deteriorate the furniture
- All bathrooms should be well ventilated with a suitable extractor fan
- Clean with a soft damp cloth only
- Use a wax free polish if one must be used
- For removal of lime scale deposits use a suitable proprietary cleaner

Please DO NOT...

- Do not scrub or scour
- Do not use abrasive cleaning agents

Replacement Components

Should you require any replacement components for this product please contact Tavistock using the contact details below.



Customer Services
 Tavistock, Brassmill Lane Trading Estate, Bath, BA1 3JF
 t. 01225 787 870 e. info@tavistock-bathrooms.co.uk w: www.tavistock-bathrooms.co.uk

