

PRODUCT DATA SHEET

Lanza 500 WC Unit Anthracite

Product Code: LANZA-500WCUNIT-ANTHRACITE

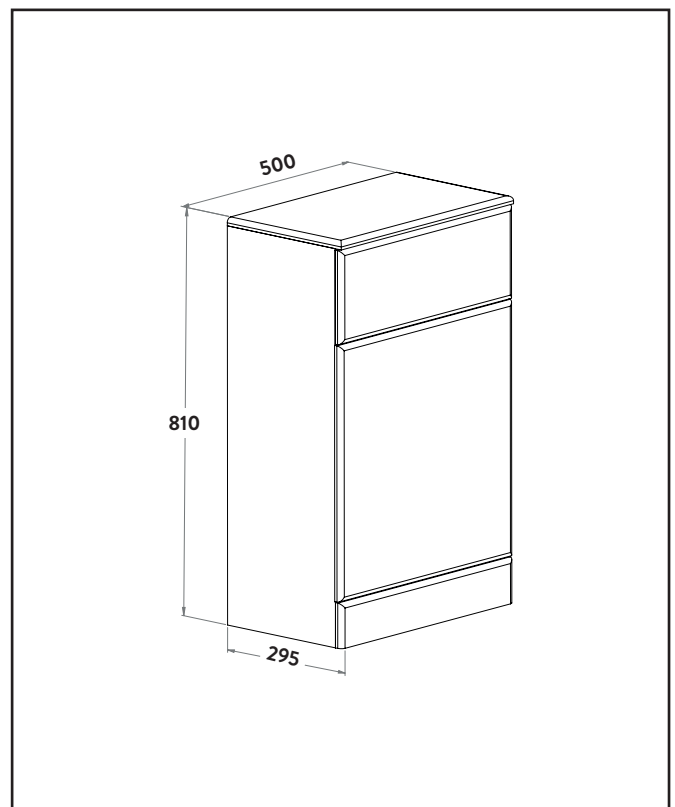
0330 124 7290

sales@scudo.co.uk - www.scudo.co.uk



Scudo is the trading name of Harrison Bathrooms Ltd. Whilst we endeavour to ensure that the product information is accurate we accept no liability for any information given. All images are for illustration purposes only. Product images and specification are subject to change. Measurement are in millimetres and are nominal.

Product Measurements	
Product Weight:	12.2kg
Product Width:	500mm
Product Height:	810mm
Product Depth:	295mm
Product Length:	0
Product Transportation	
Barcode:	5060713728122
Country of Origin:	Turkey
Comodity Code:	9403609010
Primary Packed Measurements	
Packaged Weight:	13kg
Packaged Length:	520mm
Packaged Width:	830mm
Packaged Height:	310mm
Packaging Weight	
Card:	0.8kg
Paper:	N/A
Wood:	N/A
Plastic:	0.36kg
General Information	
Construction Material:	Vinyl Wrapped MDF
Installation Type:	Floor Mounted
Colour / Finish:	Gloss White
Furniture Attributes	
Supplied Fully Assembled:	Yes
Number of Drawer:	N/A
Number of Doors:	N/A
Soft Close Doors/Drawer:	Yes
Moisture Resistant:	Yes
Internal Shelves:	No
Door Opening Width:	N/A
Draw Opening Distance:	N/A
Advised Concealed Cistern:	CISTERN002
False Draws:	No
Number of False Draws:	N/A
Reversible Doors:	No
Hinge Location:	Left
Compatible Furniture Code:	LANZA-550-BASINUNIT
Compatible Basin Code:	N/A
Handles	
Handle Styles:	N/A
Handle Finish:	N/A
Handle Material:	N/A
Number of Handles:	N/A
Compliance DOP	



LIFETIME GUARANTEE

We are confident in our products and we want our customer to be, we proudly give a lifetime guarantee on our taps and showers, further details can be found on our website

Dimensions (measurements in mm)