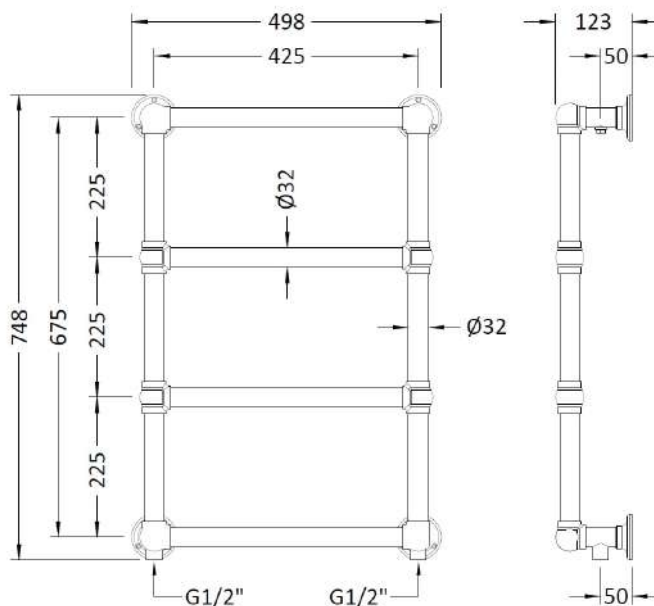


Sales Code: LDR005

Description: Farrington Radiator



Product Dimensions

| | |
|-------------------|-----|
| Height (mm): | 748 |
| Width (mm): | 498 |
| Depth (mm): | 123 |
| Length (mm): | |
| Nett Weight (kg): | 5.6 |

Packaging Dimensions

| | |
|--------------------|-----|
| Height (mm): | 520 |
| Width (mm): | 140 |
| Length (mm): | 775 |
| Gross Weight (kg): | 6.6 |

Packaging Data

| | |
|---------------|-------------------------------|
| Box Colour: | White Cardboard Shrinkwrapped |
| Box Qty: | 1 |
| Label Size: | 100 x 50 |
| Label Colour: | White Label |
| Label Qty: | 2 |

Outer Box Dimensions (If Applicable)

| | |
|--------------------|---------------|
| Height (mm): | |
| Width (mm): | |
| Length (mm): | |
| Gross Weight (kg): | |
| Barcode: | 5055369036356 |

Product Details

| | | | |
|-------------------------------------|----------------|------------|------------|
| Country of Origin: | China | | |
| Fitting Instruction: | No | | |
| Certification: | CE & UKCA: No | RoHS: N/A | WEEE: N/A |
| Colour/Finish: | Chrome | | |
| RAL No: | N/A | | |
| Product Material: | Steel | | |
| Heat Element Wattage: | Not Applicable | | |
| Heating Element Wattage Compatible: | N/A | | |
| BTU Outputs: | 30°C / 267 | 50°C / 502 | 60°C / 636 |
| Thermal Outputs: (Watts) | 30°C / 78 | 50°C / 147 | 60°C / 184 |
| Pipe Centres - If Vertical: | | | |
| Pipe Centres - If Horizontal: | | | |
| Max Projection: | 123mm | | |
| Tube Diameter: | 32mm | | |
| Packaging Volume (L): | | | |
| Wall to Centre of Tappings: | N/A | | |
| Floor to Centre of Tappings: | 50 | | |
| Dual Fuel: | N/A | | |
| IP Rating: | | | |