

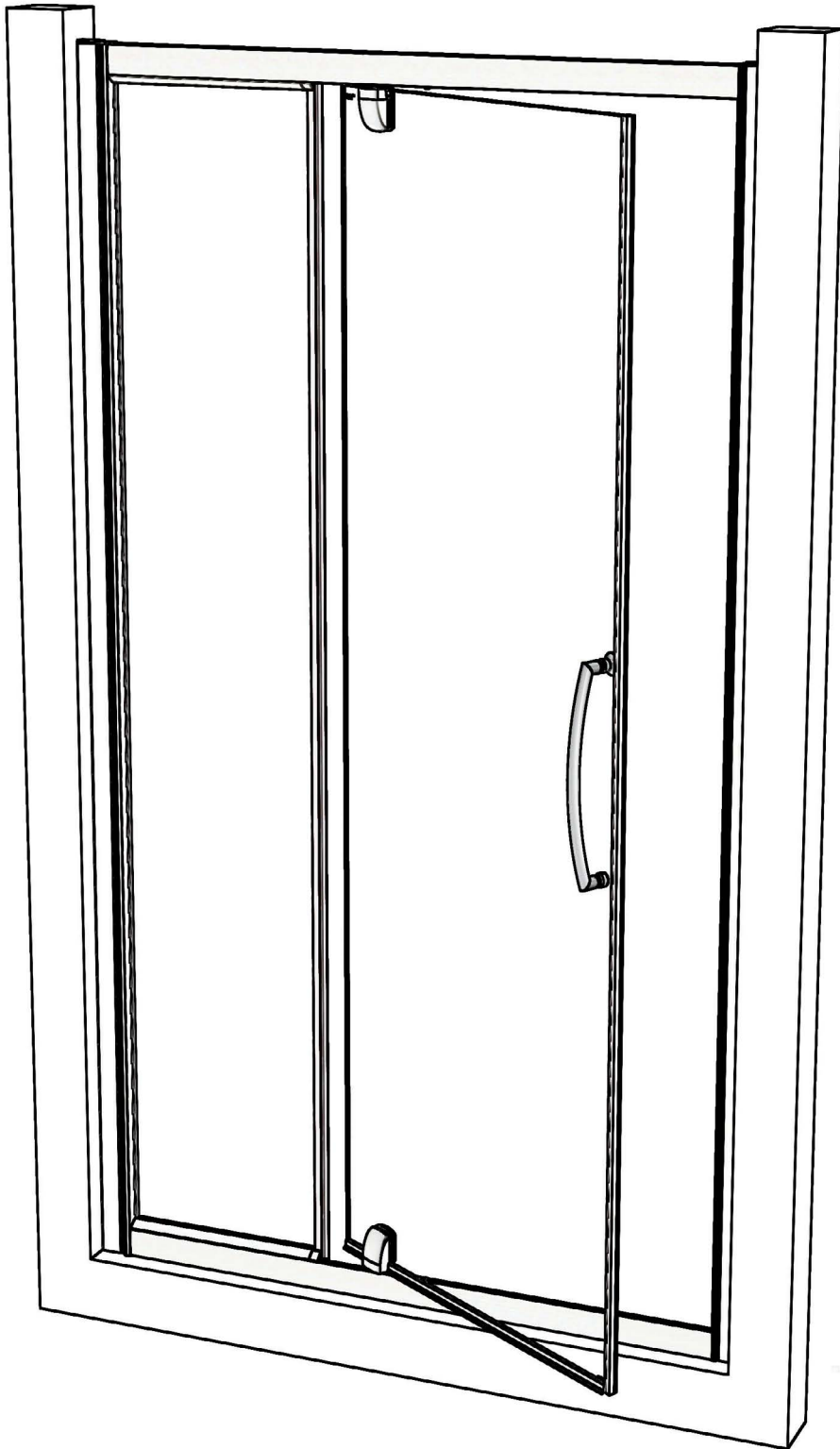
# Semi Frameless In Line Panel & Pivot

Model Number: LKVPI



**Lakes**  
Bathrooms

SUPERIOR AS STANDARD



- Parts
- Installation
- Maintenance

**Important Notes :**

Please Read Carefully & retain these instructions for Future Reference.

For ease & safety we advise that two persons assemble this product.

Check for cables, pipes etc before drilling walls.

Ensure all surfaces are dry, clean & free of loose debris / dust.

Unpack goods with care (small parts can become lodged in packaging & inadvertently discarded). Check parts supplied against parts & fittings listed herein. Damaged parts / omissions may be resolved by calling Helpline.

Whilst precautions are taken in manufacture, care must be taken when handling as rail ends may have sharp edges.

Before commencing, check :

- a) Shower tray is level and completely sealed to finished/tiled walls.
- b) finished walls are sound and free cracks, loose tiles and grout.

**AFTER INSTALLATION, DO NOT 'WET' ENCLOSURE FOR 48 HOURS TO ENSURE FULL CURE OF SILICONE SEALANT.**

**General Care & Maintenance.**

Provided this product is installed & operated in accordance with these instructions, problems should not arise. However should maintenance be required it should be carried out by a competent person with reference to these instructions. Before any work is carried out the root cause of the problem must be identified. Service engineers are available to consult / carry out remedial work ~ call Helpline.

**Cleaning.**

(Every one to two weeks depending on local water {hardness} conditions).

All glass panels in this product have a hydrophobic coating aiding 'runoff' of water droplets, reducing the need for frequent cleaning. For best appearance / product life however, regular cleaning is recommended. Use ONLY mild soap / detergent solutions to clean. Rinse with water, squeegee glass panels & wipe frames dry with a soft cloth. Under no circumstances should abrasive, caustic or scouring products be used. Non compliance with these cleaning instructions may cause plated / painted finishes to deteriorate & could adversely affect safe operation of the enclosure.

Limescale ~ should a build up of limescale occur, remove using a 50:50 solution of white vinegar & water applied with a soft cloth & rinsed / dried thoroughly afterwards.

**Daily Care.**

To prevent the build up of limescale, do not allow water droplets to dry on glass or frames. After showering, rinse with water, remove droplets from glass with a squeegee & wipe frame with a soft cloth.

**Customer Service.**  
Quality Guarantee : Shower Doors & Enclosures are guaranteed against any manufacturing or material defects for a period of 10 years from purchase. Defects will be resolved free of charge by repairing or replacing parts as we feel necessary. To be 'free of charge' service work must be carried out by approved agents. Call Helpline.

Not Covered by this Guarantee : Damage or defects that result from improper installation, improper use, or lack of maintenance (including limescale buildup). Damage or defects that result from repairs or modifications undertaken by unauthorized persons.

This guarantee is in addition to statutory & other legal rights.

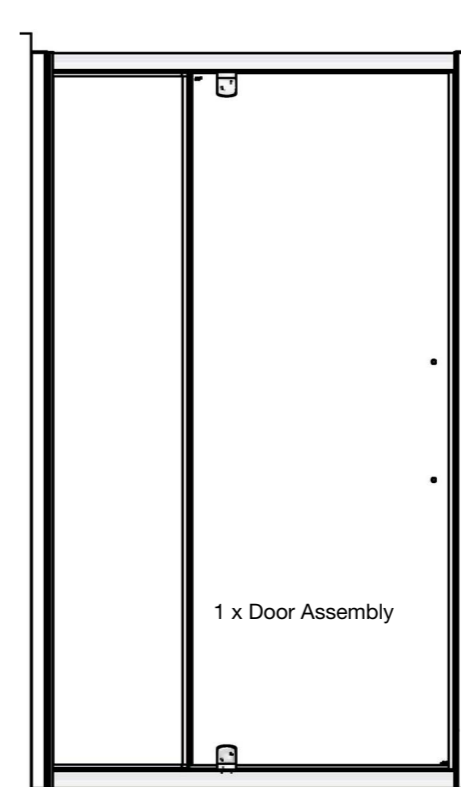
**What to do if something goes wrong :** Should the product not function correctly on initial use, firstly, contact the installer to check that unit installation & commissioning are in accordance with these instructions. Should this not resolve difficulties or should performance decline, consult 'Troubleshooting' section to see if simple home maintenance is needed.

Alternatively our Helpline staff can assist, or if necessary arrange for a service engineer to visit.

**Spares :** We maintain extensive spare part stocks. Spares can be ordered / purchased from your retailer in the first instance. Parts will normally be dispatched within two working days from order placement. Pro Forma invoices will be sent for cheque payments.

**Parts List**

Door Assembly: Comprising

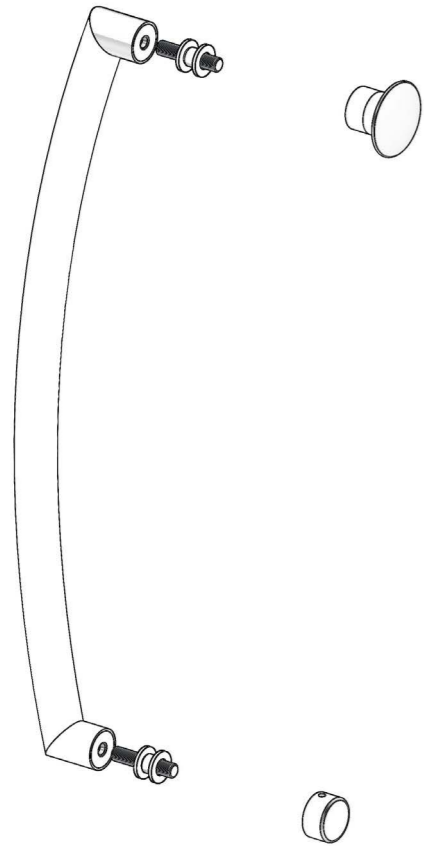


Tools Required:	
Pencil	
Pozidrive Screwdriver	
Good Quality Silicone Sealant & Applicator	
Tape Measure	
3mm HSS Drill Bit	
Spirit Level With Vertical Bubble	
Power Drill & 8mm Masonary Bit	

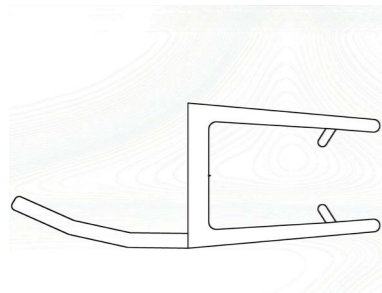
 2 x Horizontal Rail	 2 x Glazing Profile	 2 x Wall Rail	 1 x Vertical Rail (Panel)
 1 x Vertical Rail (Door)	 2 x Glazing Block Cap	 2 x Hinge bracket	 2 x Hinge Clamp
 2 x Hinge Cover	 2 x Hinge Boss	 8 x M3.5 x 12 Screw	 2 x Glazing Block (Handed)
 1 x Profile Magnet	 10 x M4 x 40 Screw	 4 x M6 x 25 Screw	 1 x Gutter Seal



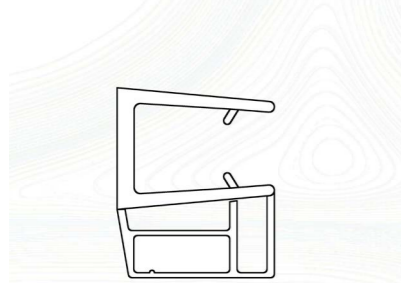
## Loose Components



1 x Handle Kit



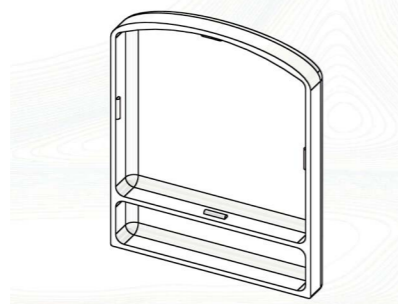
1 x Inter Panel Seal



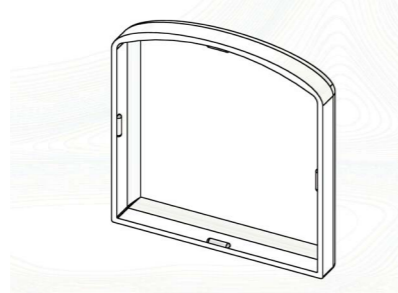
1 x Door Magnet



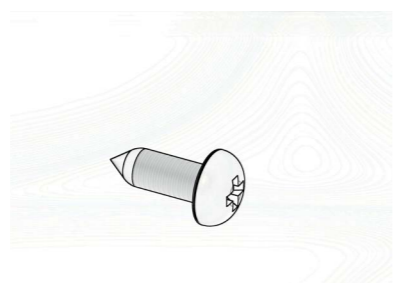
12 x Cup Washer



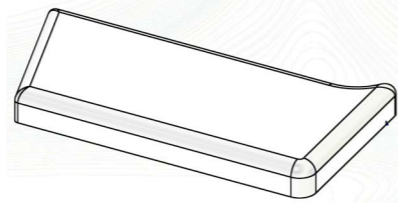
1 x Hinge Cover Top



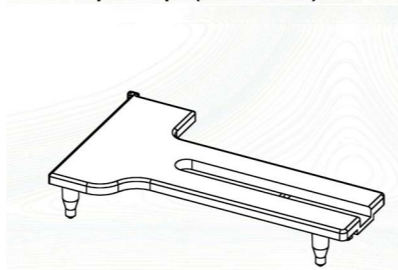
1 x Hinge Cover Bottom



12 x M3.5 x 10



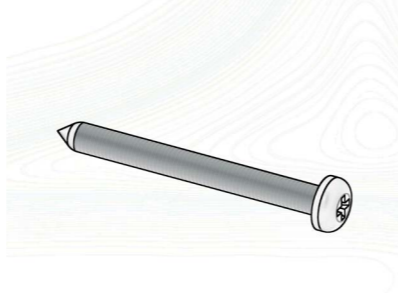
2 x Top Cap (Handed)



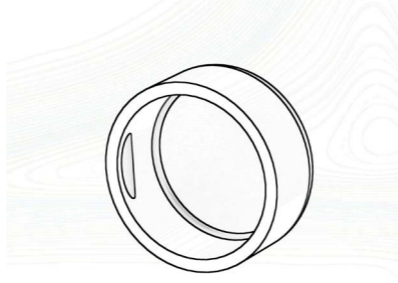
2 x Vertical Cap (Handed)



2 x Vertical Cap (Handed)



6 x M4 x 45 Screw



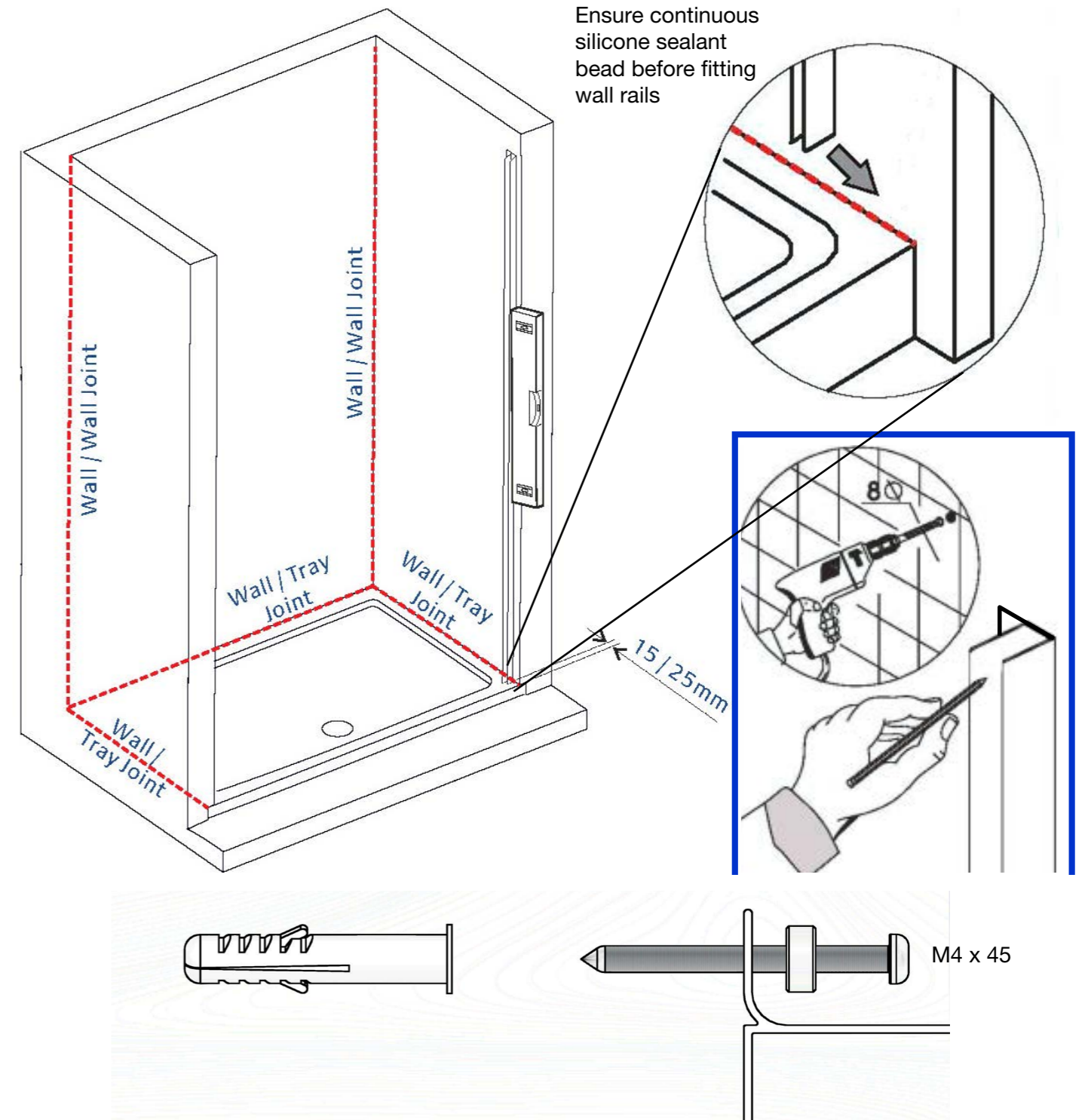
12 x Screw Cap

## Installation

Lakes Semi Framed In Line Panel & Pivot Door is fully reversible, so is suitable for fitting with door to left or right hand side of the enclosure.

Ensure tray is correctly levelled & that tray / wall (tile) joints are sealed & cured over the entire length of the tray sides (See Fig A) prior to fitting enclosure.

**DO NOT SEAL TRAY EDGES UP TO A FITTED ENCLOSURE!**

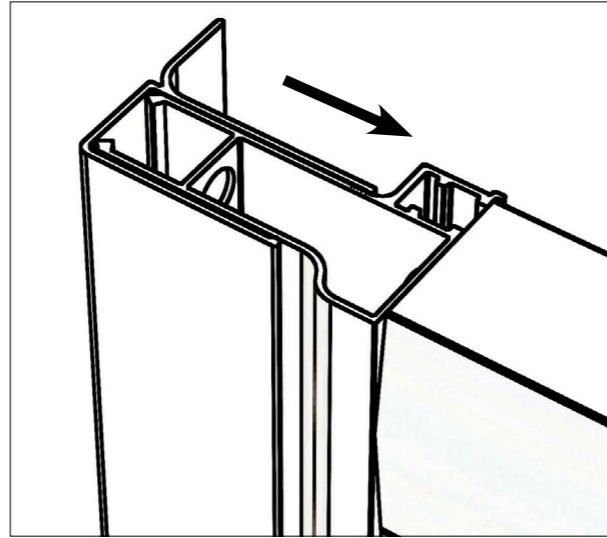


**Step 1:** Measure & mark wall rail positions. Mark fixing hole positions, drill & plug walls.

Having decided required handing, **FIT DOOR SIDE WALL RAIL ONLY AT THIS STAGE**

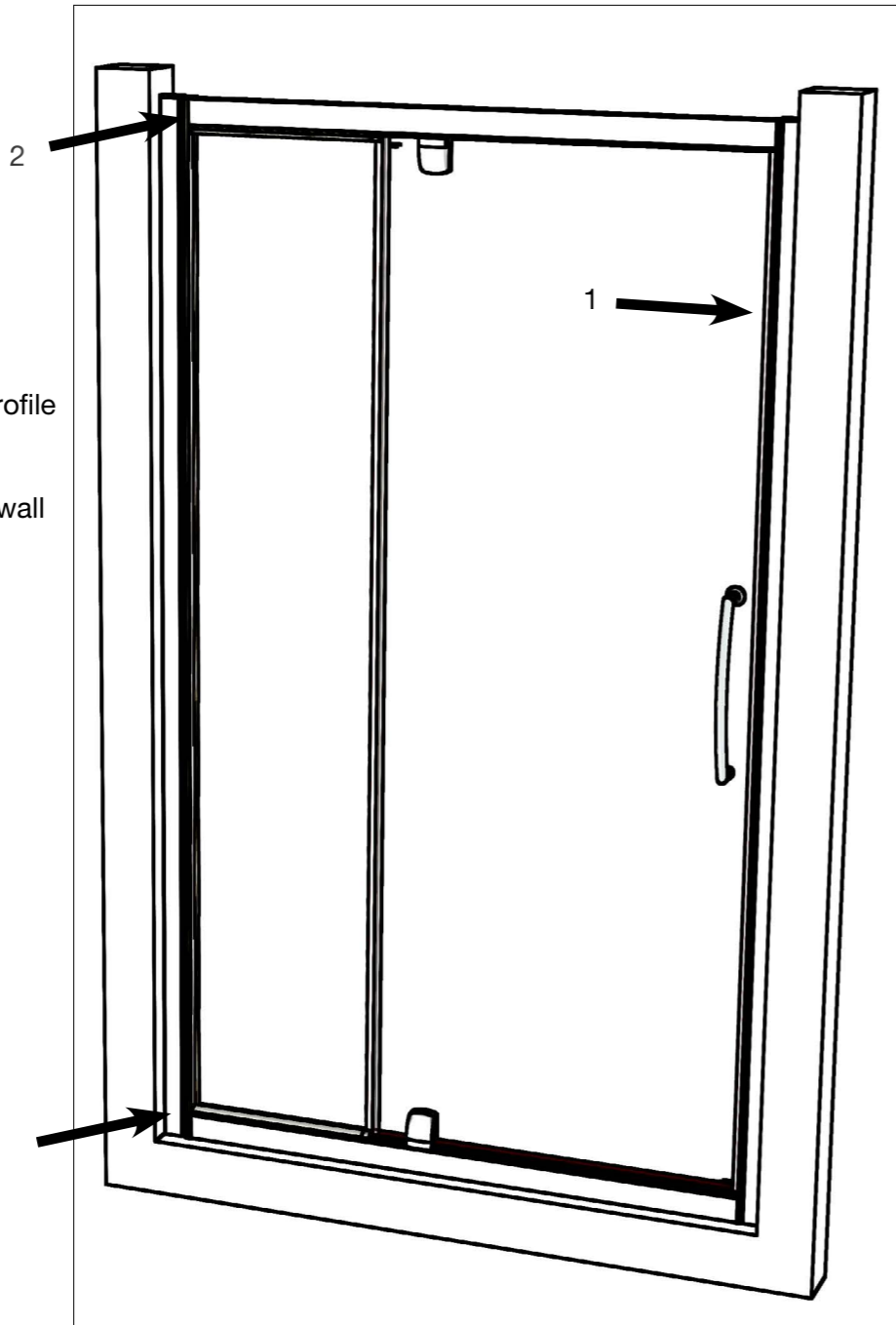
## Installation

Step 2:  
Push remaining wall rail fully onto fixed panel side.



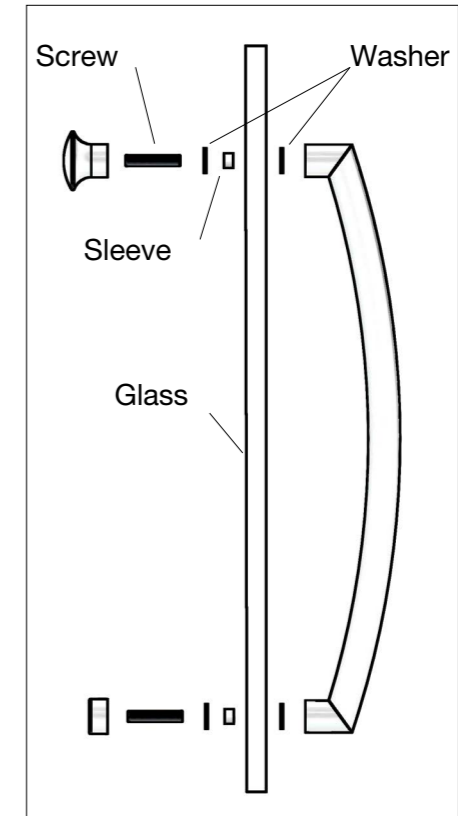
Step 3:  
Keeping unit upright:  
1 - Insert door side into fixed wall profile  
2 - Push unit back into alcove.

Align & fix panel side wall profile to wall with 4 x 45 screws & cup washers.

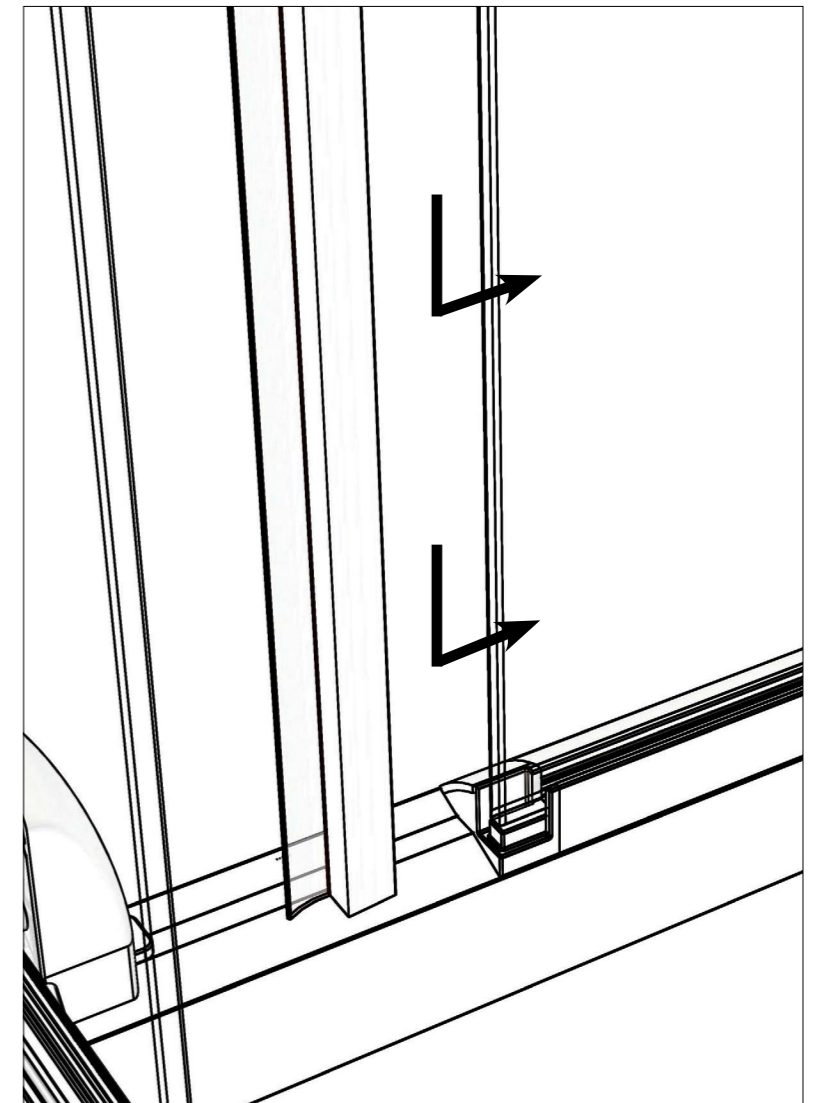


## Installation

Step 4:  
Fix handle to glass, ensuring handle is placed on the outside of the enclosure



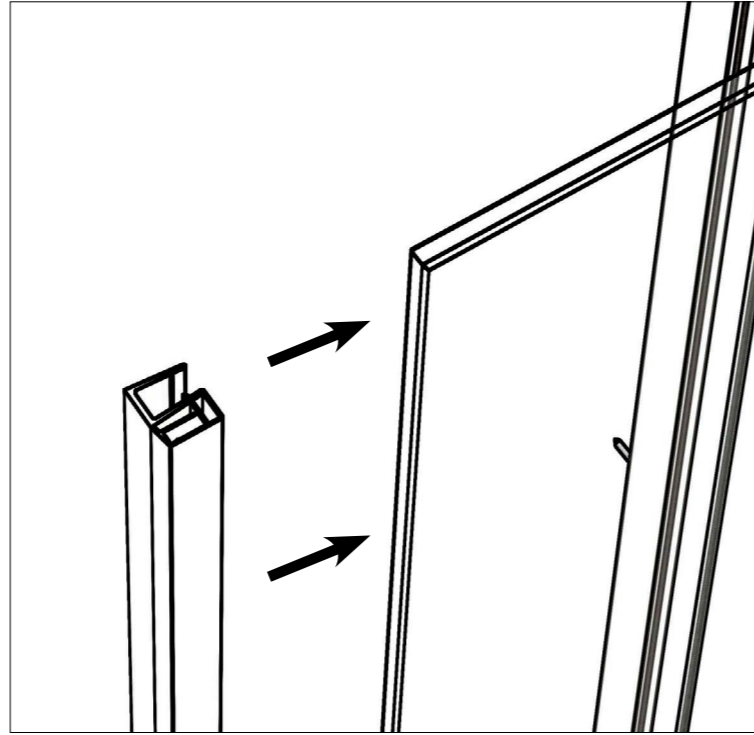
Step 5:  
Open door to ninety degree position.  
Fit Inter panel seal to fixed panel  
**Ensure fin is on external side of enclosure.**  
**Ensure seal is pushed fully in glazing block.**



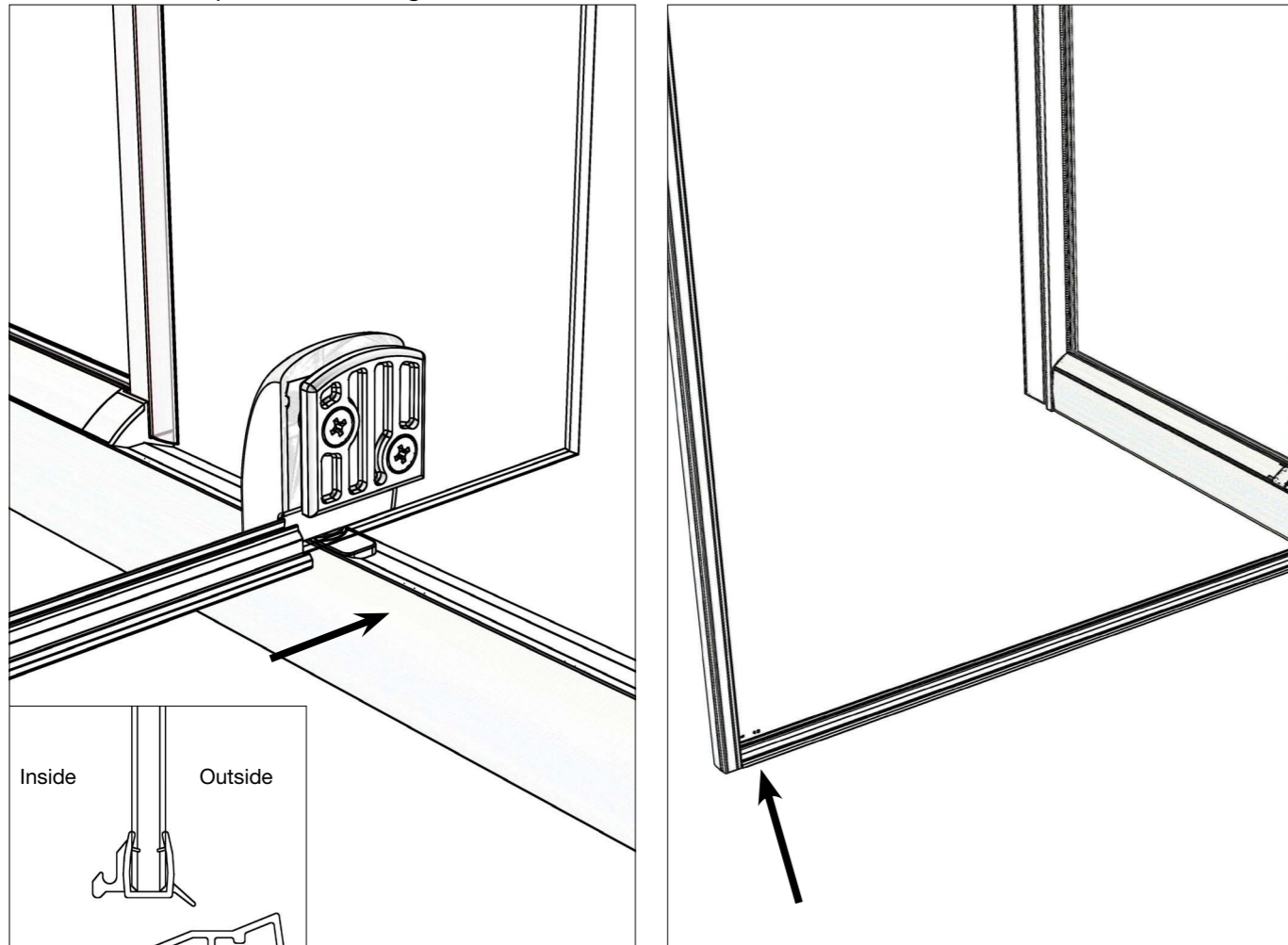


## Installation

Step 6:  
Fit magnetic seal so ends are flush with glass  
top and bottom.  
**Ensure magnet is fitted on internal side.**

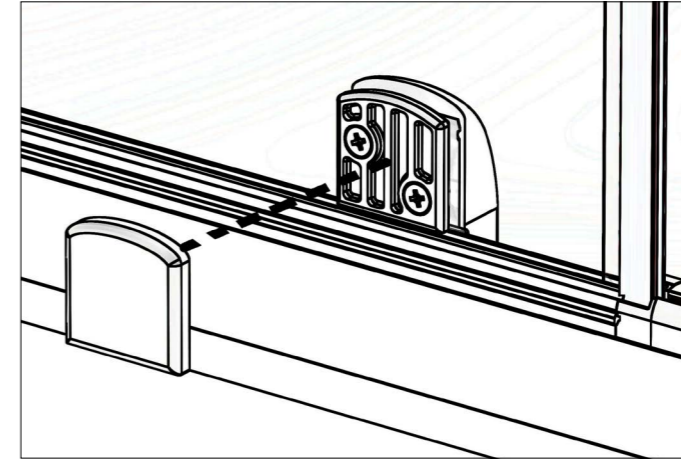


Step 7: ENSURE SEAL IS FITTED TO BASE OF DOOR. IF REQUIRED, REMOVE SEAL AND FIT TO BASE  
FOLLOWING INSTRUCTIONS BELOW:  
Open door to ninety degree position.  
Slide gutter seal along base of door from outside of the enclosure, past the hinge block. Ensure gutter is  
placed on internal side of enclosure.  
**Seal may be wetted to aid installation**  
Ensure seal butts up to vertical magnetic seal



## Installation

Step 8:  
Fit internal hinge clamp caps.  
Ensure smaller cap is fitted at the base of the door.



Step 9:  
Centre enclosure in wall profiles. Ensure frame is plumb, that the door pivots freely & door magnets are  
in contact over full door height.



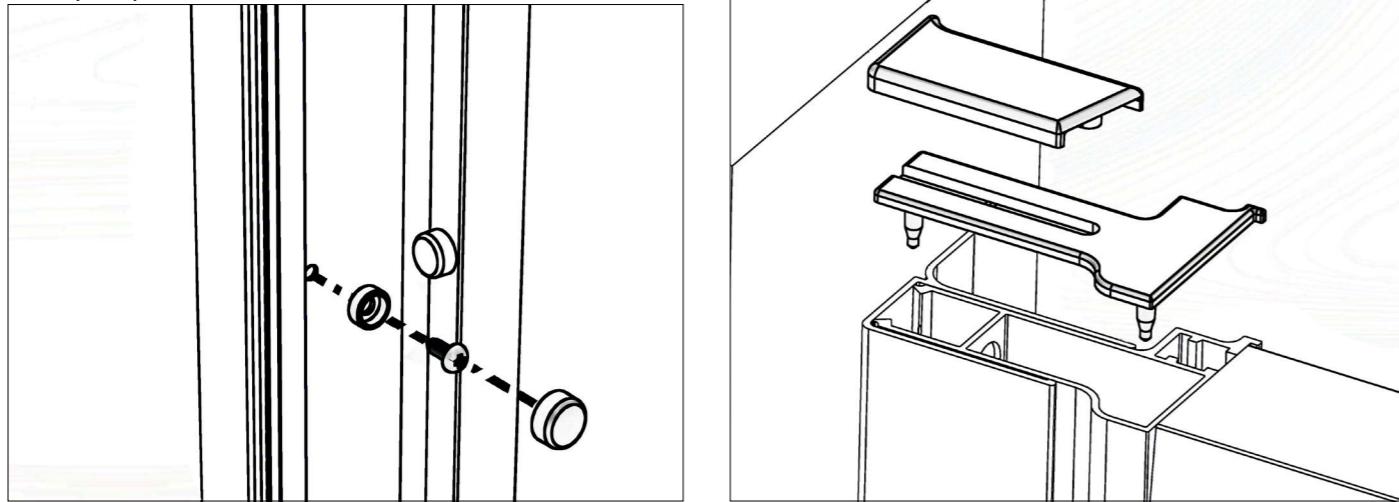
## Installation

### Step 10:

Drill pilot holes into vertical profile (3mm HSS Bit), using wall rail as a guide.

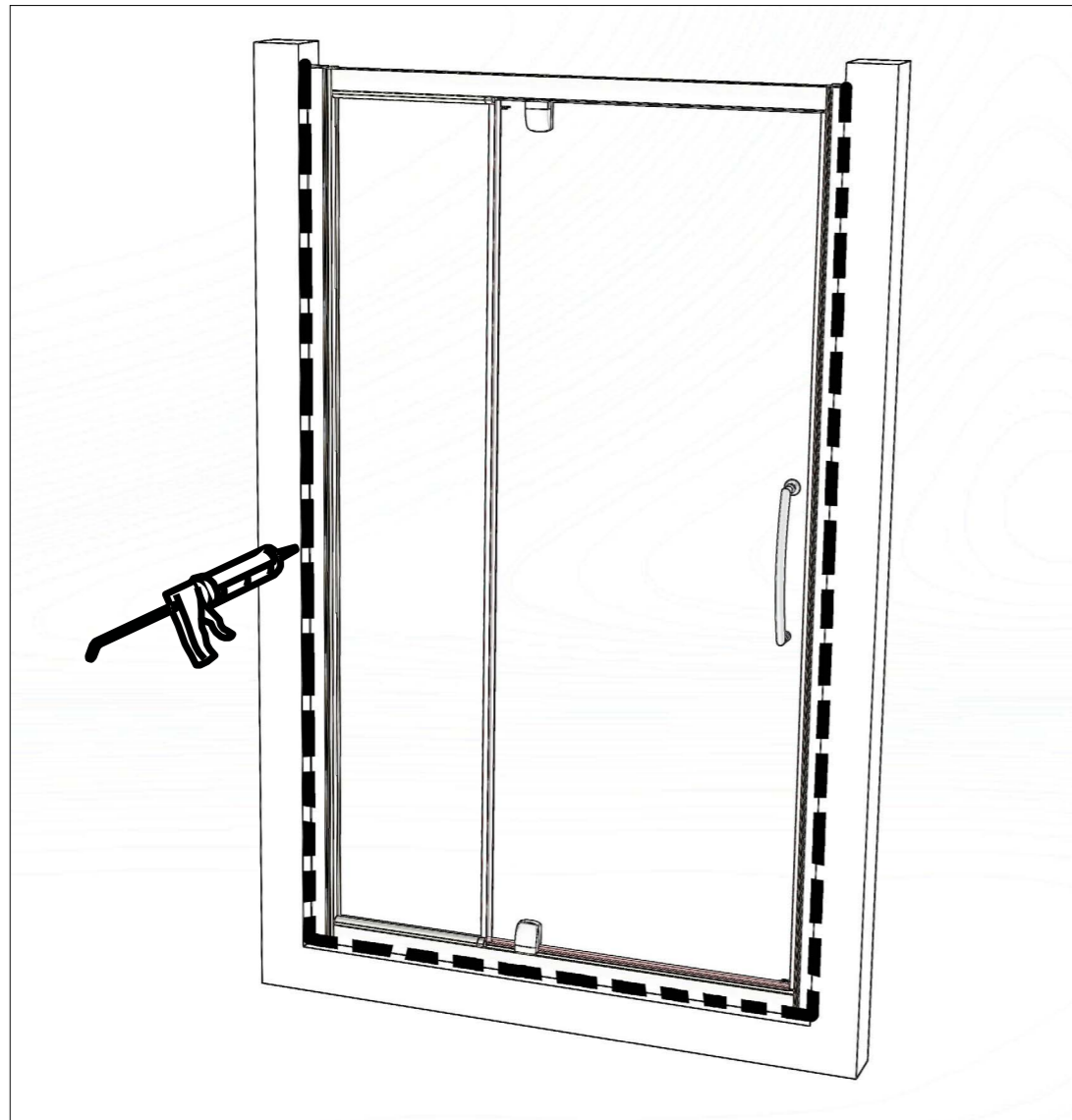
Fit cup washer and 3.5 x 10 screw, 3 x each wall rail.

Fit top caps to vertical rails.



### Step 11:

Apply good quality silicone sealant in continuous bead as indicated. **EXTERNALLY ONLY**. Degreasing all joints recommended before application.



## Basic Troubleshooting

Door magnetic seals not meeting precisely / not holding:

Check plumb/level of frame & door alignment, adjust frame if necessary (see step 9).

Check magnet polarity, frame magnet may be removed, reversed & refitted to improve door 'closing'.

Leakage :

The sealing method described in these instructions relies on a continuous seal being applied between shower walls & tray before installing the enclosure, it ensures a watertight seal around the perimeter of the enclosure to the shower walls & tray.

In the unlikely event of an enclosure leak, water will be visible on the outside of the enclosure itself, or around the perimeter silicone seal **ONLY**. Water / moisture appearing outside this area (ie at floor level) is normally due to incorrect tray installation.

Lakes Bathrooms Ltd  
Alexandra Way  
Ashchurch  
Tewkesbury  
Gloucestershire GL20 8NB

Service England, Scotland, Wales  
8.30am—5pm Mon ~ Thurs  
8.30am—4.30pm Fri  
Tel / HELPLINE : 01684 853870  
Fax : 01684 857411  
www.lakesbathrooms.co.uk  
Email : admin@lakesbathrooms.co.uk

Service : Northern Ireland  
Ian A Kernohan  
Firtrees  
Green Way Industrial Estate  
Conlig  
Northern Ireland  
BT23 7SU

8.30am—5pm Mon ~ Thurs  
8.30am—4.30pm Fri  
Tel : 02891 270233  
Fax : 02891 270597  
Email : info@iakonline.com