

# Technical Data Sheet

## Lansdown Basin Mixer

TLD11 (Chrome), TLD1104 (Brass)

**TAVISTOCK**  
inspiring bathrooms

No.	Description	Code	Fixings Included
1	Lansdown Basin Mixer	TLD11, TLD1104	YES



Chrome Plated



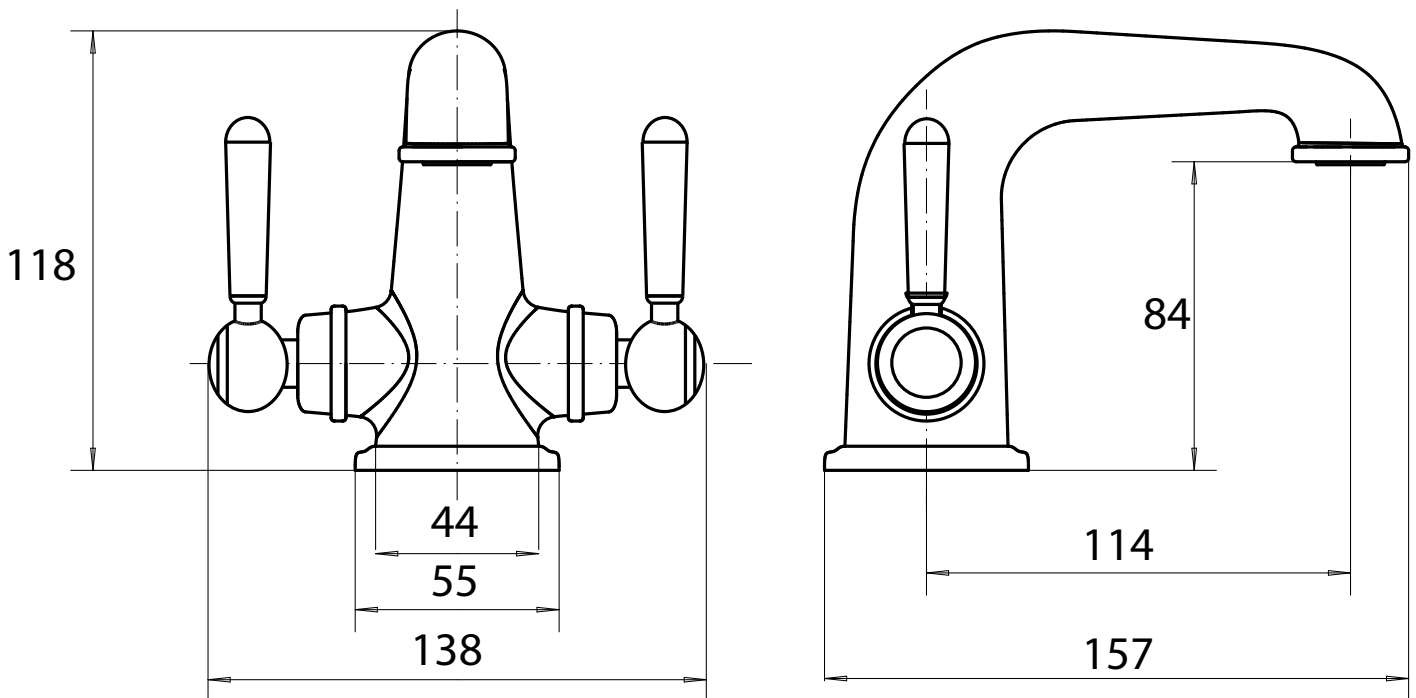
Brass PVD  
(physical vapour deposition)

**FLOW RATE DATA IS TESTED UNDER LABORATORY CONDITIONS: ACTUAL FLOW RATE MAY VARY DEPENDING ON DOMESTIC SUPPLY AND ACCESSORIES**

Pressure:	Flow Rate:
0.2bar	4.8 litres / min
0.5bar	7.0 litres / min
1bar	9.7 litres / min
2bar	13.4 litres / min
3bar	16.3 litres / min

### Dimensions

Diagrams not to scale. All dimensions in mm (tolerance of +/-5mm)



\*Dimensions are subject to change, customers are advised to measure Actual product before commencing installation.

### FAQs

**What is the size of the tap tail connection?** The tap tails have a 15mm compression fitting

**What bore is the tap tail?** The tails have a 10mm internal bore.

**What length are the tap tails?** The tails are 300mm in length.

**Does the tap come fitted with an aerator?** Yes, the aerator comes pre-installed but can be replaced.

**What is the recommended minimum pressure?** 0.2 Bar