

Technical Data Sheet

Lansdown Mini Mono Basin Mixer
TLD26 (Chrome), TLD2604 (Brass)

TAVISTOCK
inspiring bathrooms

No.	Description	Code	Fixings Included
1	Lansdown Mini Mono Basin Mixer	TLD26, TLD2604	YES



Chrome Plated



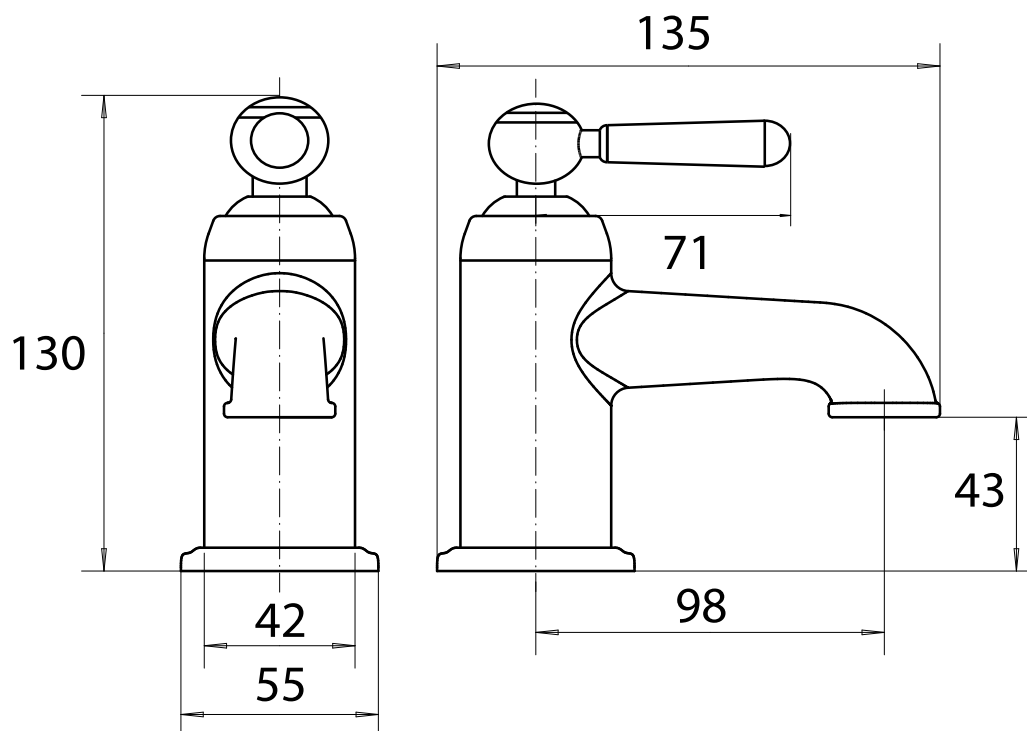
Brass PVD
(physical vapour deposition)

FLOW RATE DATA IS TESTED UNDER LABORATORY CONDITIONS: ACTUAL FLOW RATE MAY VARY DEPENDING ON DOMESTIC SUPPLY AND ACCESSORIES

Pressure:	Flow Rate:
0.2bar	4.1 litres / min
0.5bar	6.1 litres / min
1bar	8.4 litres / min
2bar	11.7 litres / min
3bar	14.3 litres / min

Dimensions

Diagrams not to scale. All dimensions in mm (tolerance of +/-5mm)



*Dimensions are subject to change, customers are advised to measure Actual product before commencing installation.

FAQs

What is the size of the tap tail connection? The tap tails have a 15mm compression fitting

What bore is the tap tail? The tails have a 10mm internal bore.

What length are the tap tails? The tails are 300mm in length.

Does the tap come fitted with an aerator? Yes, the aerator comes pre-installed but can be replaced.

What is the recommended minimum pressure? 0.2 Bar