

**SHOWER TRAY LEGS
INSTALLATION INSTRUCTIONS**

BEFORE YOU START

We highly recommend that you thoroughly read these instructions before beginning the installation. Despite the comprehensiveness of these instructions, we advise that a technically skilled installer carry out this installation for optimal results.

Please check the shower tray and verify that it meets your desired specifications regarding its colour, size, shape, and type before unpacking. Additionally, please carefully inspect the tray for any signs of damage. If you find any issues, please do not proceed with the installation and promptly contact your local supplier for further assistance.

! IMPORTANT

If you plan to install the shower tray at an elevated level, use a panel riser kit that is suitable for the size and shape of your chosen tray. In case you are installing the shower tray with a steam unit, it is essential to ensure that the steam outlet is a minimum of 350mm away from the tray's top.

! SAFETY NOTES

Caution: Please exercise caution while drilling into walls or floors to prevent any damage to hidden pipes or electrical cables.

i CARE & USE OF YOUR SHOWER TRAY

Please keep these installation instructions for potential future reference and pass them on to the user. To maintain your shower tray's pristine condition for several years, please adhere to the simple cleaning procedure outlined below:

After use, it is common for small amounts of localized water to collect on the shower tray surfaces. Please wipe them dry immediately to prevent sediment build-up.

Please verify that the top surface of the shower tray is suitable for use with your intended shower enclosure, taking into consideration the potential loss of dimension that may result once tiles or other materials have been installed.

When selecting your installation method, please ensure that you are capable of attaching or repairing your waste or waste outlet while it is in place.

While handling the shower tray, please exercise caution to prevent damaging the bottom edges. During installation, please take extra care to safeguard the visible surfaces against any impact damage or abrasions.

Kindly note that this product is quite heavy and will require two people to lift it safely.

The shower tray should be regularly cleaned using warm, soapy water and dried with a cloth. Please refrain from using scourers, abrasives, bleach, or other chemical cleaners, as they can cause damage.

TOOLS AND MATERIALS REQUIRED



Silicone Sealant



Spirit Level



Safety Eyewear



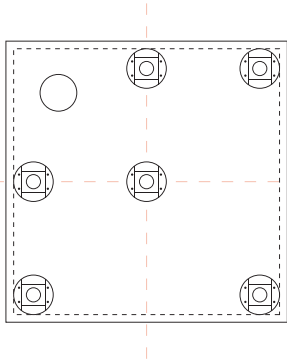
Posidrive Screwdriver

Note! Additional tools and materials may be necessary, depending on the specific requirements of the site.

TRAY LEG MAPS

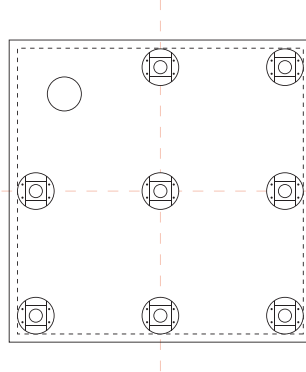
Applied Sizes:

760x760 SQ
800x800 SQ



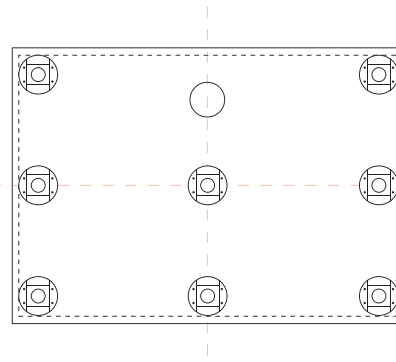
Applied Sizes:

900x900 SQ



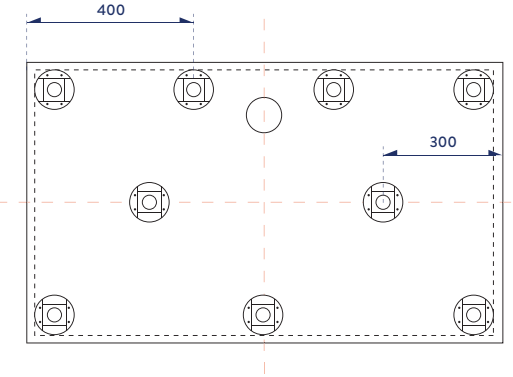
Applied Sizes:

800x900 REC
800x1000 REC
900x1000 REC



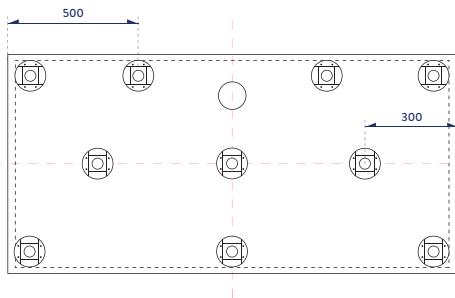
Applied Sizes:

800x1100 REC 800x1200 REC
700x1200 REC 900x1200 REC
760x1200 REC



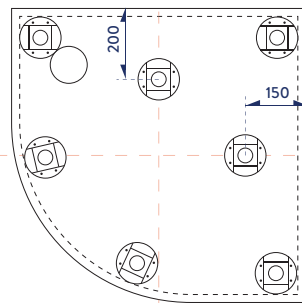
Applied Sizes:

700x1400 REC 800x1500 REC
700x1500 REC 800x1600 REC
700x1600 REC 800x1700 REC
700x1700 REC 900x1400 REC
760x1600 REC 900x1500 REC
760x1700 REC 900x1600 REC
800x1400 REC 900x1700 REC



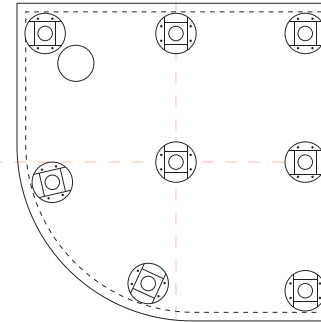
Applied Sizes:

800x800 QD
760x900 OFFQD
800x1000 OFFQD



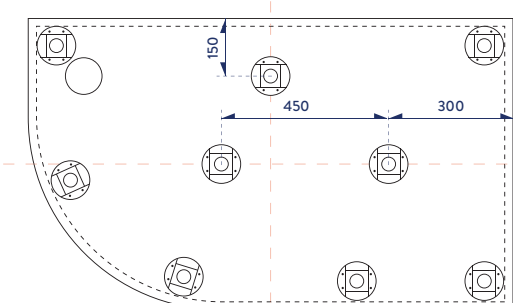
Applied Sizes:

900x900 QD



Applied Sizes:

800x1200 OFFQD
900x1200 OFFQD



Note! Take care measuring and applying the feet in the correct positions to ensure the tray is stable and well-supported.

SHOWER TRAY LEGS INSTALLATION

1

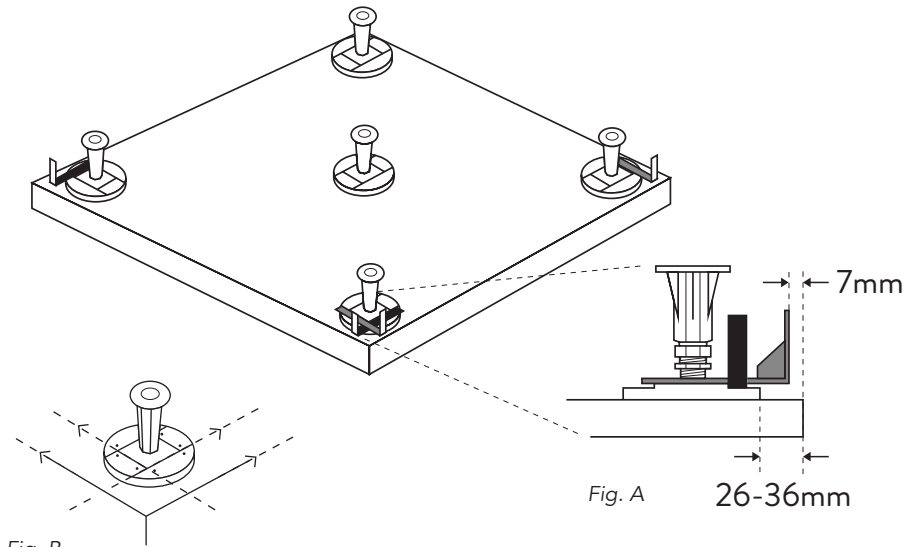


Fig. B

Align screw holes parallel with shower tray edge

2

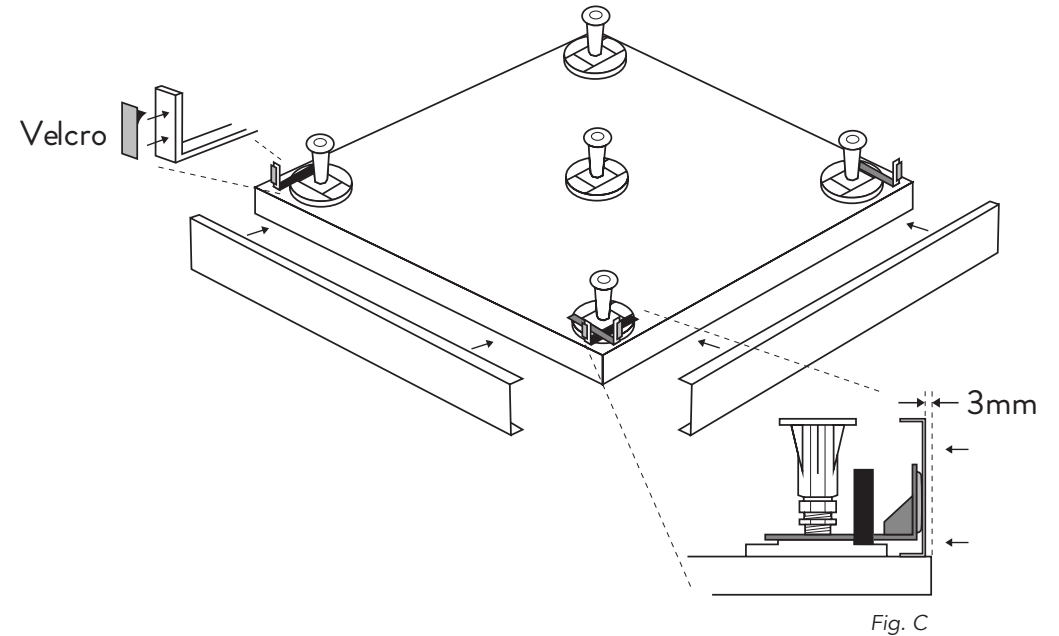


Fig. C

Firstly, see the Tray Leg Map page for information on leg layouts suited to your specific shower tray.

Peel the sticky layer from the leg plate and apply further silicone sealant to ensure a strong adhesion before placing the leg into position. Apply the leg plate 26-36mm from the tray edge, see above (Fig. A).

Ensure the screw holes are parallel with the edge of the tray, see Fig. B above.

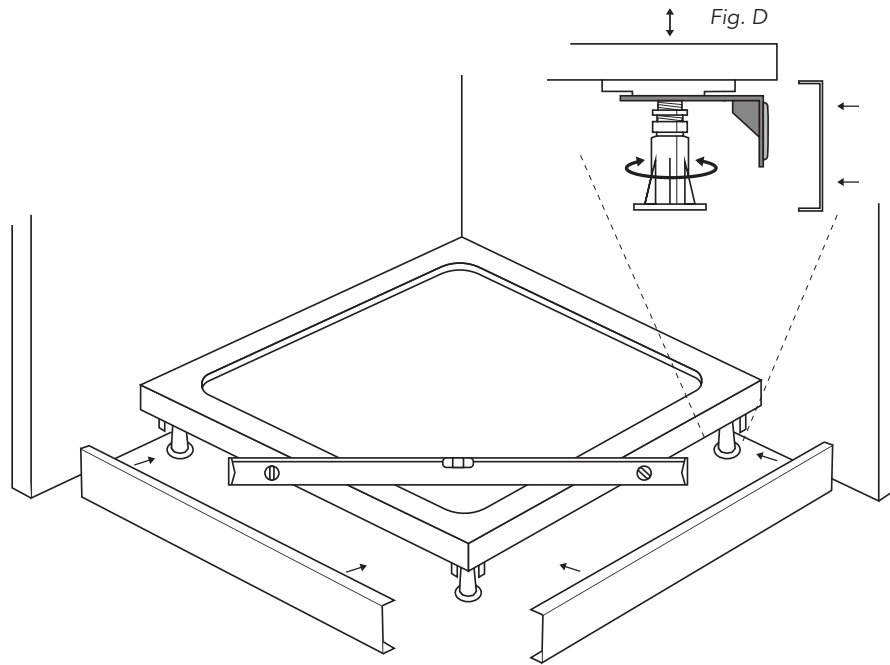
Screw the L-Shapes into position where necessary, these will fit to the shower tray panels later. Use the 10mm adjustment to ensure L-Shapes are 7mm away from shower tray edge, see Fig. A above.

Apply Velcro to the ends of the L-Shapes and adjacent shower tray panels.

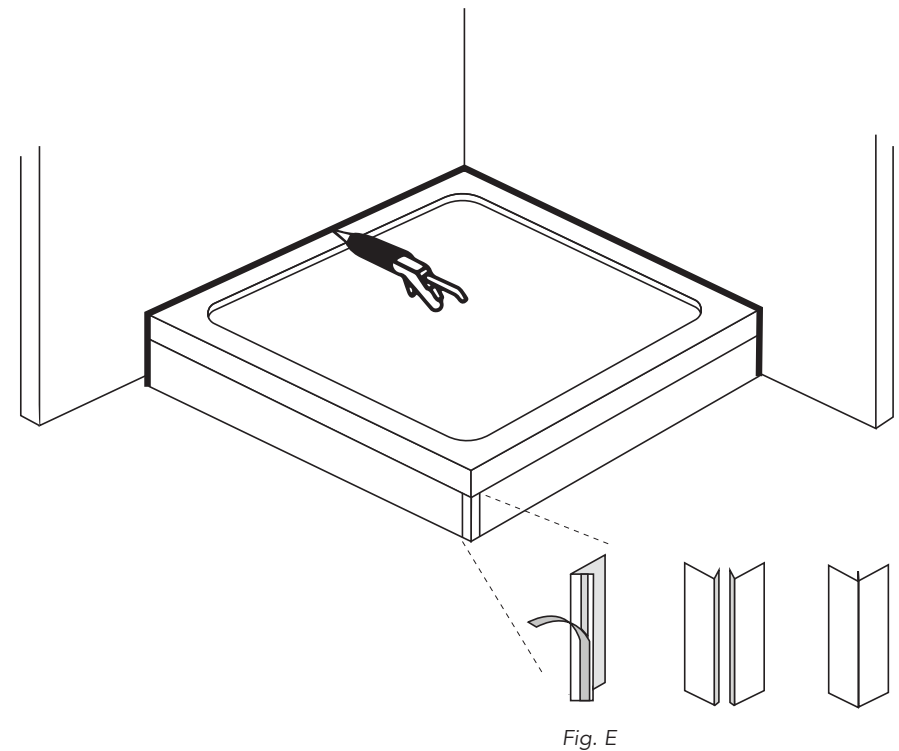
Once applied, you may need to readjust the L-Shapes' positions to ensure the shower tray panels sit 3mm from the edge of the shower tray, see Fig. C above.

SHOWER TRAY LEGS INSTALLATION

3



4



Flip the shower tray over ensuring the legs stay in position.

Place the Level on top of shower tray - edge to edge, see above. Twist the shower tray legs clockwise or anti-clockwise to raise and lower the tray until perfectly level, see *Fig. D* above. Ensure to tighten the nut to the shower leg height to keep leg height in position.

Place and Velcro the shower tray panels into position.

Remove sticky peel from two corner pieces and stick together to form the corner cover, see *Fig. E* above. Insert and glue the corner cover between the shower tray panels.

When all previous steps are completed, silicone seal the edge of the tray to ensure tray is water tight.



DO NOT PROCEED IF NOT SATISFIED.

After all checks and adjustments, it is recommended to silicone seal around the shower tray before tiling.

If fitting a shower enclosure, refer to the manufacturers installation instructions.

TROUBLE SHOOTING

Q The waste outlet in the shower tray is directly over an obstruction at floor level.

A Consider switching to a Panel Riser Kit, or re-locating the shower tray.

Q The shower tray will not fit the space available.

A Consider recessing the edge of the tray into adjoining walls or using a smaller shower tray and enclosure.

Q There is water retaining on the surfaces of the tray.

A Check that the shower tray is level (top rims) as it is normal for small amounts of localised water to be retained.

Q Water will not flow fast enough down the waste outlet.

A Check that the waste unit is correctly installed and that the outlet pipe has sufficient angle and is not kinked or sagging causing an air blockage.

Q The enclosure will not fit on the shower tray.

A Check that the available surface on top of the tray is compatible with the size, shape and adjustment range of the enclosure.

Q Water escapes from a fitted walk-in or frameless enclosure.

A It is normal for spillage to occur from walk-in or frameless type enclosures, consider fitting a threshold seal on or changing to a fully framed enclosure.

Q Could I have a carpet on the floor in the bathroom?

A It is advised that you use only safety vinyl or tiled flooring in the bathroom area.