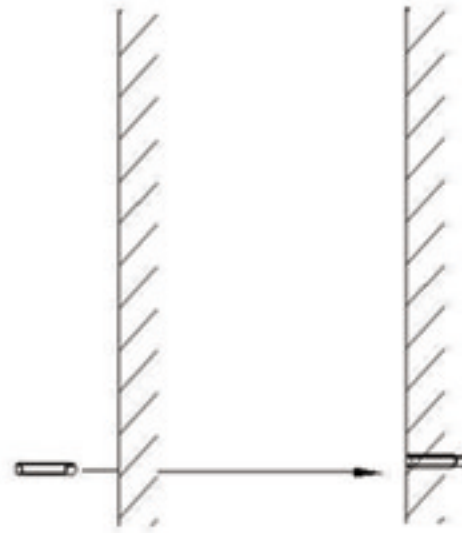


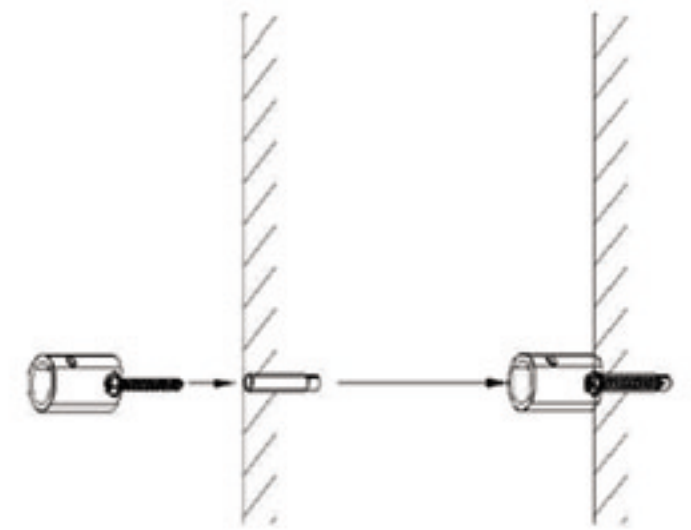
# Installation Instructions



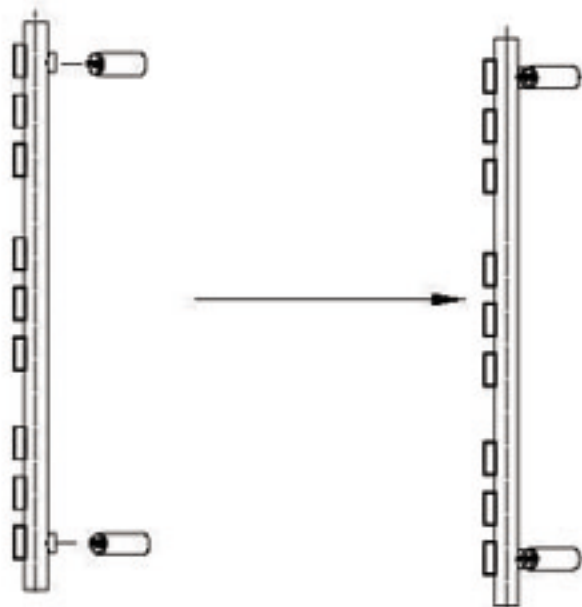
**Step 1: Check the components to make sure all are included as above.**



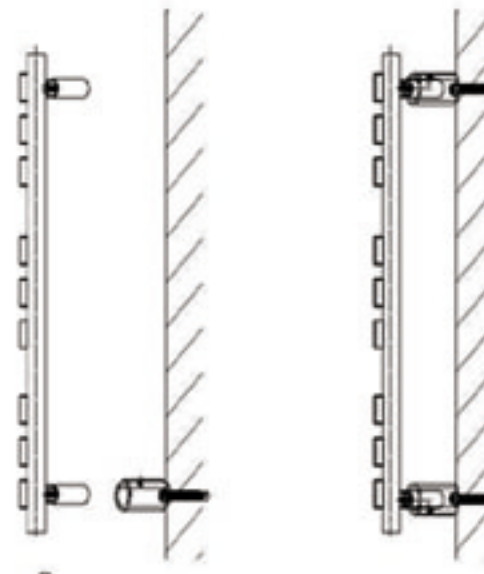
**Step 2: Pinpoint the positions on the wall then drill four holes accordingly and fix the wallplugs into the wall.**



**Step 3: Connect the bracket socket to the wall with screws.**



**Step 4: Fix the brackets to the towel rail with screws.**



**Step 5: Mount the towel rail to the wall and tighten the crews in the brackets.**