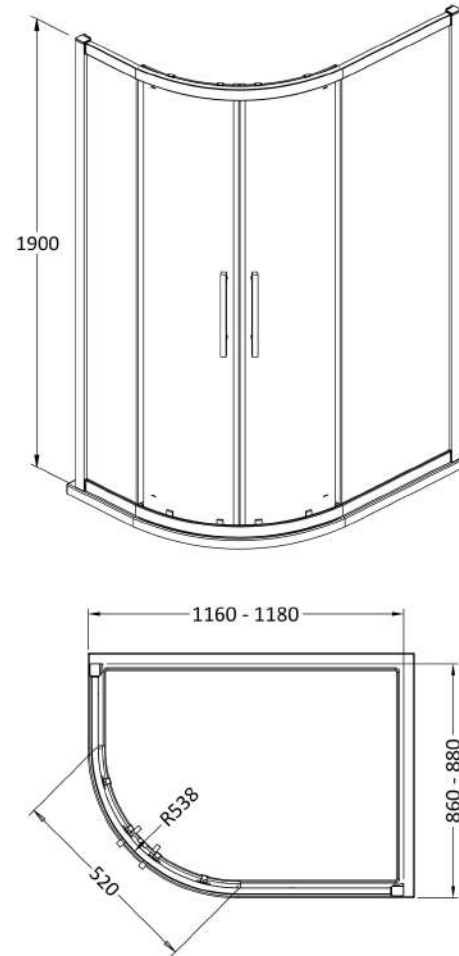


Sales Code: M1290Q-E8

Description: 1200X 900 Double Door Quad

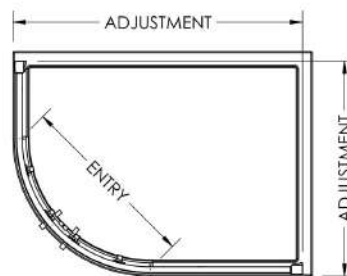
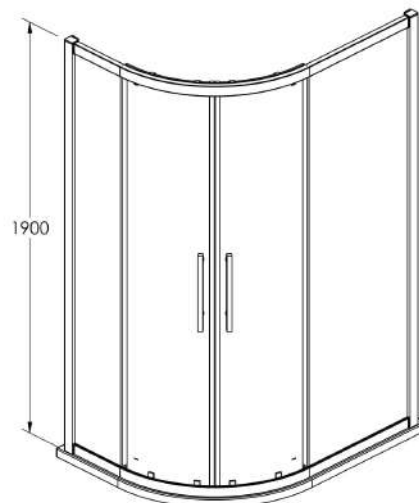
Packaging Details

Barcode: 5055275815939



Sales Code: M1290Q-E8B

Description: Apex 1200X900 Off/Set Quad Pack B



Code	Description	Adjustment (mm)		Entry Width (mm)
M9076Q-E8	900 x 760 Offset Quadrant	860 - 880	720 - 740	420
M9080Q-E8	900 x 800 Offset Quadrant	860 - 880	760 - 780	440
M1080Q-E8	1000 x 800 Offset Quadrant	960 - 980	760 - 780	455
M1090Q-E8	1000 x 900 Offset Quadrant	960 - 980	860 - 880	520
M1280Q-E8	1200 x 800 Offset Quadrant	1160 - 1180	760 - 780	455
M1290Q-E8	1200 x 900 Offset Quadrant	1160 - 1180	860 - 880	520

Product Dimensions

Height (mm):	1900
Width (mm):	880
Depth (mm):	1180
Nett Weight (kg):	38.5

Packaging Dimensions

Height (mm):	1940
Width (mm):	430
Length (mm):	90
Gross Weight (kg):	38.5

Packaging Data

Box Colour:	Brown Cardboard Box - Printed
Box Qty:	1
Label Size:	100 x 50
Label Colour:	Not Applicable
Label Qty:	0

Outer Box Dimensions (If Applicable)

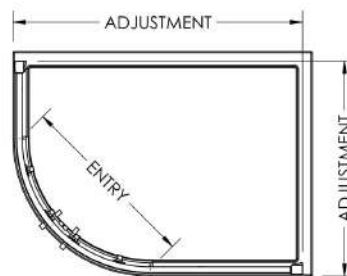
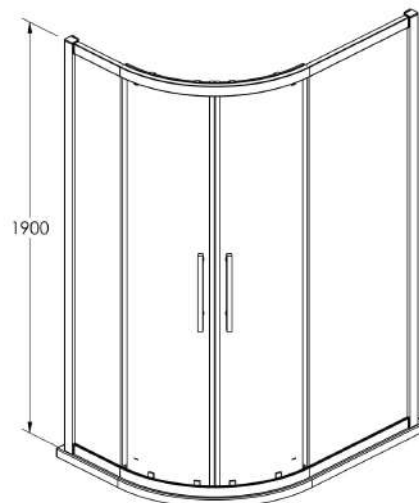
Height (mm):	
Width (mm):	
Depth (mm):	
Length (mm):	
Gross Weight (kg):	
Barcode:	5055369075096

Product Details

Country of Origin:	China
Fitting Instruction:	No
CE & UKCA:	N/A
Profile Material:	Aluminium
Profile Finish:	Chrome
Adjustments (mm):	1160mm-180mm / 860mm-880mm
Entry Width (mm):	520mm
Swing In Dim (mm):	N/A
Swing Out Dim (mm):	N/A
Radius (mm):	538 mm
Glass Thickness (mm):	8
Easy Fit:	Yes
Easy Clean:	Yes
Handle Style:	Not Applicable
Handle Material:	Not Applicable
Enclosure Design:	Framed
Wheel Type:	Not Applicable
Support Bar Included:	Support Bar Not Included
Extras:	None

Sales Code: M1290Q-E8A

Description: Apex 1200X900 Off/Set Quad Pack A



Code	Description	Adjustment (mm)		Entry Width (mm)
M9076Q-E8	900 x 760 Offset Quadrant	860 - 880	720 - 740	420
M9080Q-E8	900 x 800 Offset Quadrant	860 - 880	760 - 780	440
M1080Q-E8	1000 x 800 Offset Quadrant	960 - 980	760 - 780	455
M1090Q-E8	1000 x 900 Offset Quadrant	960 - 980	860 - 880	520
M1280Q-E8	1200 x 800 Offset Quadrant	1160 - 1180	760 - 780	455
M1290Q-E8	1200 x 900 Offset Quadrant	1160 - 1180	860 - 880	520

Product Dimensions

Height (mm):	1900
Width (mm):	1180
Depth (mm):	880
Nett Weight (kg):	39.1

Packaging Dimensions

Height (mm):	1960
Width (mm):	725
Length (mm):	110
Gross Weight (kg):	39.1

Packaging Data

Box Colour:	Brown Cardboard Box - Printed
Box Qty:	1
Label Size:	100 x 50
Label Colour:	Not Applicable
Label Qty:	0

Outer Box Dimensions (If Applicable)

Height (mm):	
Width (mm):	
Depth (mm):	
Length (mm):	
Gross Weight (kg):	
Barcode:	5055369075089

Product Details

Country of Origin:	China
Fitting Instruction:	No
CE & UKCA:	N/A
Profile Material:	Aluminium
Profile Finish:	Chrome
Adjustments (mm):	1160mm - 1180mm / 860mm - 880M
Entry Width (mm):	520mm
Swing In Dim (mm):	N/A
Swing Out Dim (mm):	N/A
Radius (mm):	538 mm
Glass Thickness (mm):	8
Easy Fit:	Yes
Easy Clean:	Yes
Handle Style:	Square T Shape Handle
Handle Material:	Metal
Enclosure Design:	Framed
Wheel Type:	Dual, Quick Release
Support Bar Included:	Support Bar Not Included
Extras:	Screw Cover Strip