

Installation Guide

Two panel curved Bath screen

Important

Please familiarise yourself with the fitting instructions before commencing fitting.

- 1 Check that you have the tools required
- 2 Check that the installation site is compatible with size of screen supplied
- 3 Check all the bath screen components
- 4 Check that the installation kit is complete

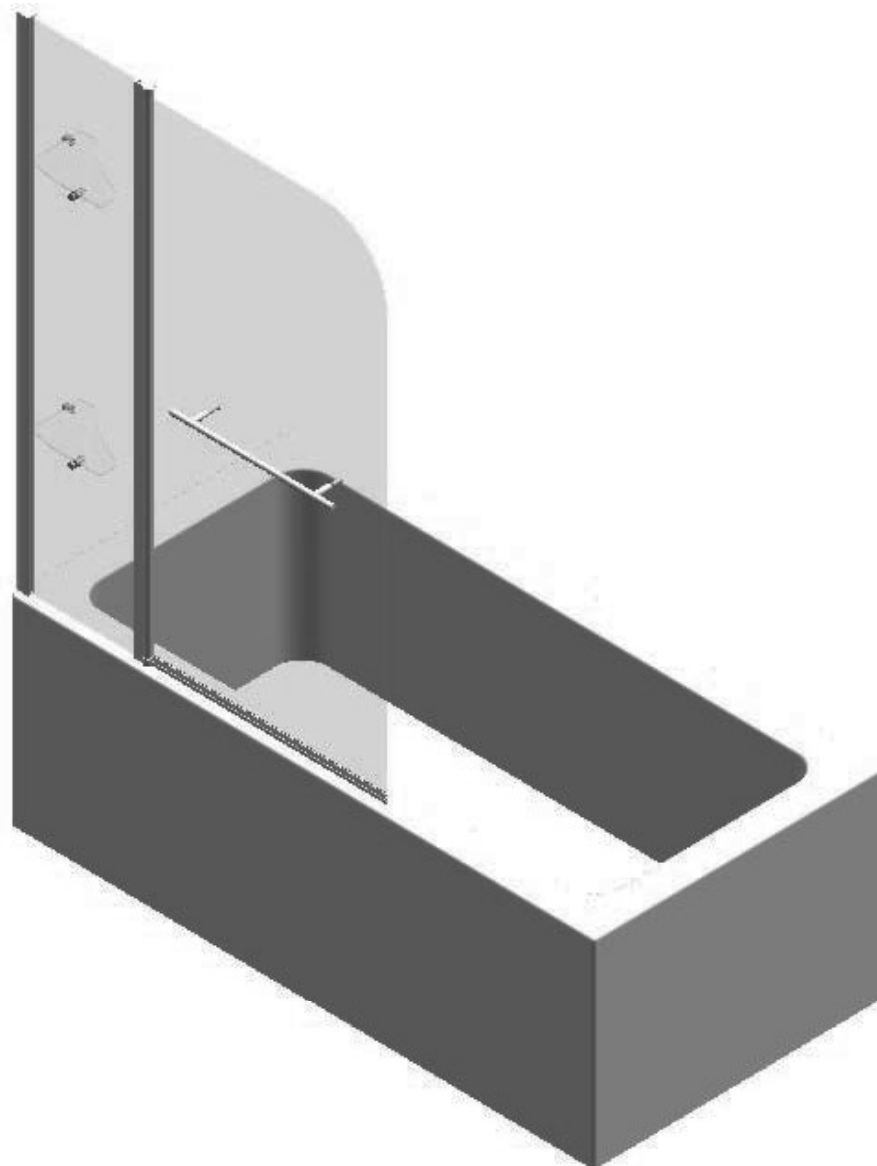
DO NOT attempt to install the product unless you can tick **ALL 4** boxed as satisfactory.

The wall plugs supplied with the installation kit are for use in solid walls. Hollow or "stud - partition" walls will require alternative fixings. Please consult a hardware supplier for the correct type.

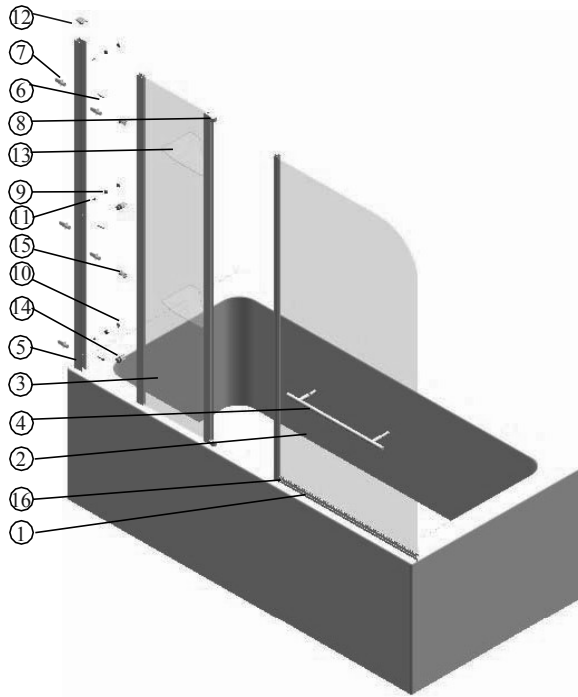
It may also be necessary to consult you tiling supplier about the correct method for drilling your tiles.

USE SAFETY EYEWEAR WHEN DRILLING

Any parts missing or damaged must be reported to your supplier within 5 days of purchase. Inspect fitting area before fitting. No claims will be accepted after product had been installed.



COMPONENTS AND BOX CONTENTS



No.	Description	Qty	Part No.	No.	Description	Qty	Part No.	No.	Description	Qty	Part No.
1	Clear Seal	1	MOBY003	7	Wall Plug	3	2SP12	13	Perspex shelf	2	MOBY004
2	Moving Glass Panel	1	A	8	Bracket	2	BSYS021L/R	14	Shelf glass bracket	2	MOBY005
3	Fixed Glass Panel	1	B	9	Screw (4x16mm)	3	2SY50	15	Shelf wall bracket	2	MOBY006
4	Towel rail	1	BSYS025C	10	Screw Cover Cap	3	2SS008	16	Sealing bracket	1	SPOBSSEALBKT
5	Wall Profile	1	LR8387C	11	Screw Cover Cap Clip	3	2SS009				
6	Screw(3.9 x 30mm)	5	2SY51	12	Wall profile cover	2	MOBY002L/R				

FIXING KIT COMPONENTS, TOOLS REQUIRED, SITE CONDITIONS

Fixing Kit components
parts shown are not to scale



Tools required

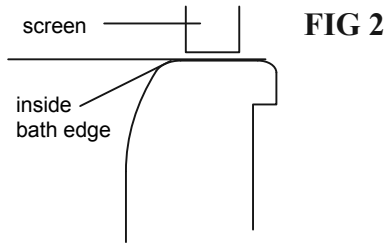
- 6mm Masonry drill bit
- Power drill
- Quality silicone
- Pencil
- Tape measure
- #2 Phillips head screw driver
- Spirit level with horizontal and vertical level indicators

IMPORTANT - Installation Site

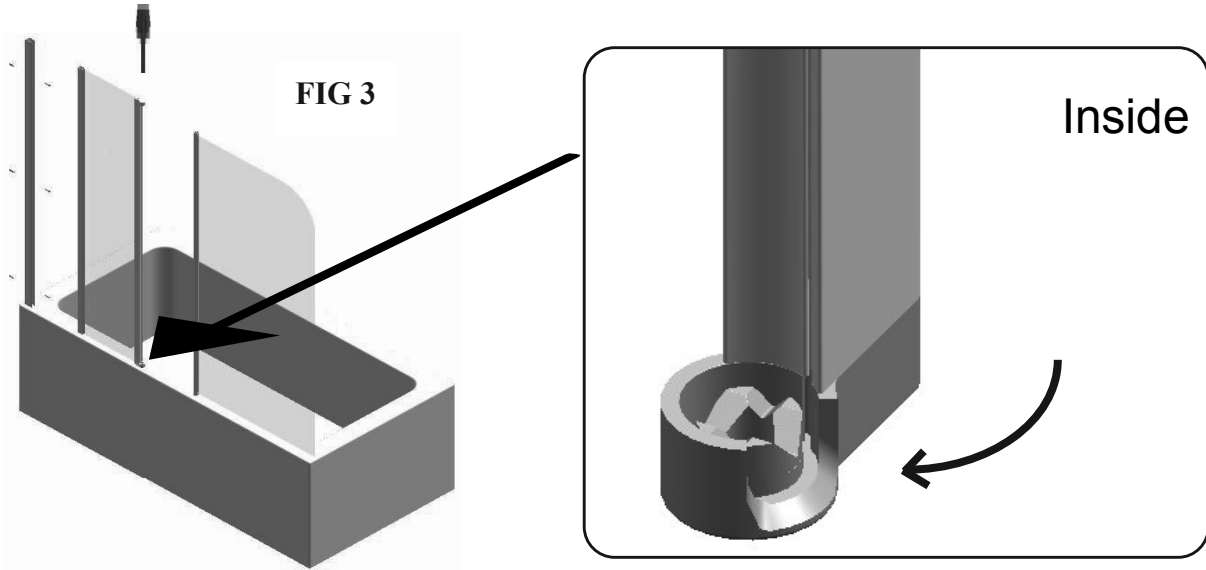
1. Ensure your bath is level before fitting. This screen is not designed to fit on baths with stepped fronts, roll top rims or integral soap dishes.
2. The tiling or other wall finishing should be effectively sealed at the bath edges.

INSTALLATION

1. Position the wall profile **LR8387C** so the seal on the moving panel **A** sits on the inside edge of the bath. Fig 2

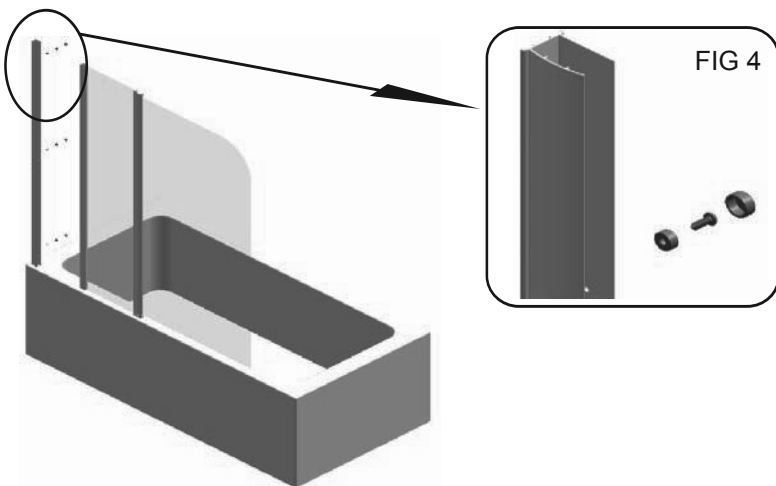


2. Plumb the wall profiles **LR8387C** using the vertical element of the spirit level. Mark 3 holes, drill with 6mm masonry bit and fit wall plugs **2SP12**. Using the 3 Screw **2SY51**, fix wall profiles to wall. Fig 3.
3. Insert Fixed panel **B** into the wall profile (do not fix it to the wall profile).
4. Remove the top bracket **BSYS021** by loosening the screw. Insert moving panel **B** and reattach the top hinge bracket. Fig 3.

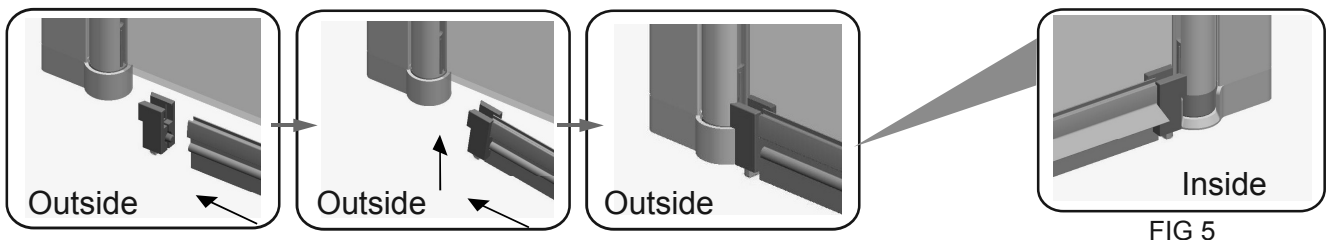


5. Ensure the bottom seal on the moving panel **A** is parallel to the top surface of the bath. Drill 3 holes through the wall profile and fixed panel using a 3mm steel drill bit. Using the Screws **2SY50** and cover caps **2SS008** and clips **2SS009**, fix the hinge upright to the wall profile in 3 places. Fig 4.

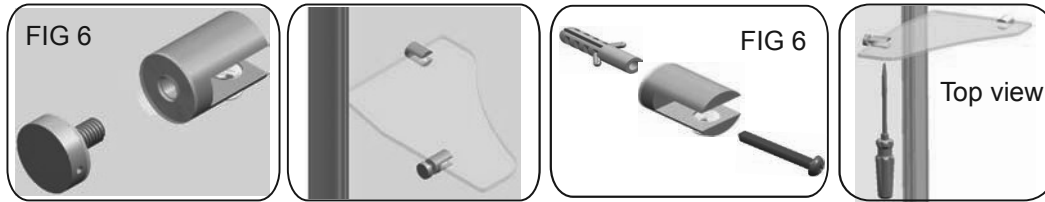
NOTE: Only silicone the wall profile after fixing to the wall (see sealing section). Do not silicone on the back of the wall profile before fixing to the wall.



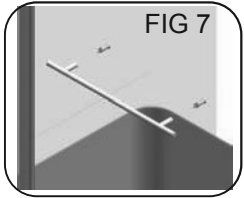
6. Ensure the deflector on the seal is positioned on the inside. Make a cut on one of the bottom corners of the seal to ensure a correct fit against the hinge bracket – see circled area in. Fig 5



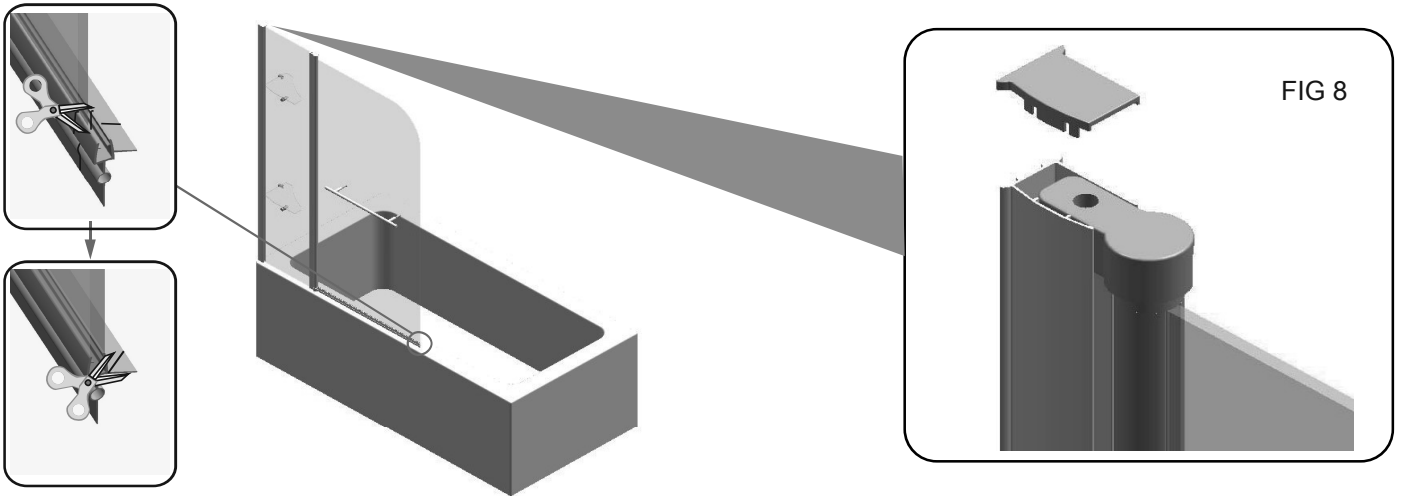
7. Fit shelf glass bracket to glass, level shelf in both directions and mark fixing point on wall. Use 6mm masonry bit and then insert the 2 wall plugs **2SP12** and fix the shelf wall brackets **MOBY006** to the wall with screws **2SY51**. Tighten shelf glass bracket **MOBY005** onto the glass. Insert the perspex shelf **MOBY004** into the shelf wall bracket and shelf glass bracket. Then tighten grubscrews. Fig 6.



8. Fix the towel rail **BSYS025C**. Fig 7



8. Fix the wall profile cover **MOBY002L/R**. FIG 8



Sealing. Fig 6

Inside (dashed line):

When installation is complete seal the joint between the wall profile and the wall, top to bottom on the inside only. DO NOT SEAL where the wall profile sits on the Bath.

Outside (full line)

From outside the screen, SEAL where the wall profile and hinge bracket sit on the bath. Seal 50mm up where the wall profile meets the wall and where the hinge upright and the wall profile over lap.

