

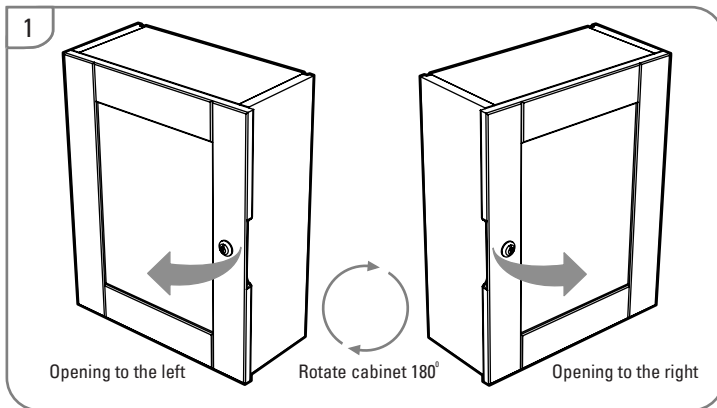
Before You Start

The wall plugs supplied are only suitable for solid stone/brick walls. For plasterboard walls use specialist wall plugs. Seek advice from a specialist about the suitability of fixings to be used.

Wear suitable eye protection when drilling. Take care when using power tools near water - the use of a residual current device (RCD) is recommended. Beware of hidden pipes or cables. Take care when drilling tiled surfaces as the drill might slip. Use a piece of masking tape to prevent the drill from wandering.

Fixing the Cabinet

Before installing the cabinet, decide on the orientation of the door. This cabinet can be mounted to open either to the left or to the right by simply rotating the cabinet so the door opens the desired way. (See Fig.1)

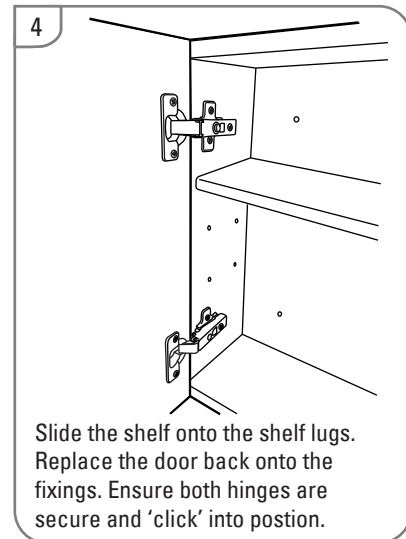
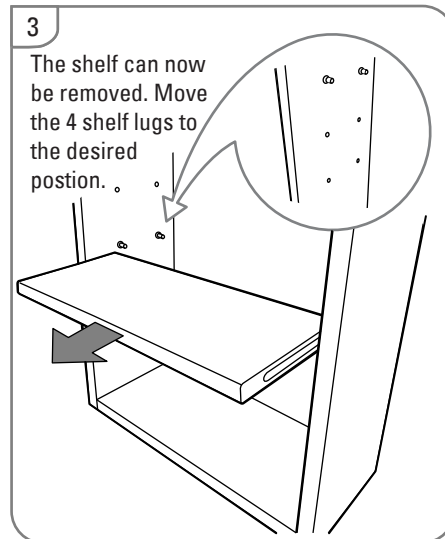
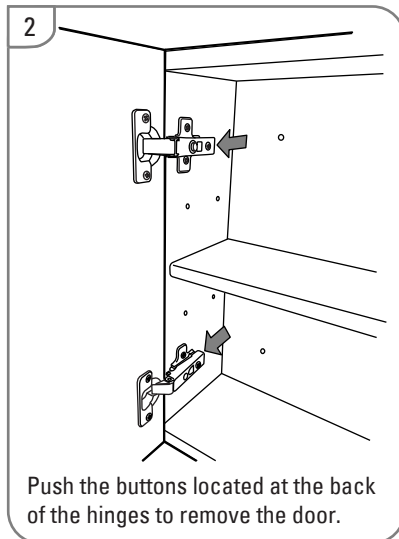


The back of the cabinet has 4 pre-drilled holes. The cabinet should always be hung by these holes. Offer the cabinet up to the desired location and mark through the pre-drilled holes onto the wall. Ensure when marking the holes that the cabinet is level using a spirit level. Assistance may be required to hold the cabinet while marking the positions of the holes.

Remove the cabinet and drill into the wall using an 8mm masonry drill bit to a depth of approximately 50mm. Insert the wall plugs and offer the cabinet back up to wall. Insert the fixing screws through the pre-drilled holes and into the wall plugs. Ensure the screws hold the cabinet securely in position.

Adjusting the Shelf

This cabinet comes with an internal shelf already installed. The height of this shelf can be adjusted. To adjust the shelf the doors of the cabinet must be removed.



Aftercare Instructions

As with all wooden cabinets, this product should be treated with care.

We recommend...

- Wipe away any water splashes or condensation after use. Excessive exposure to water will deteriorate the cabinet.
- All bathrooms should be well ventilated with a suitable extractor fan.
- Clean with a soft damp cloth only.
- Use a wax free polish if one must be used.

Please DO NOT...

- Do not scrub or scour
- Do not use abrasive cleaning agents

Replacement Components

Should you require any replacement components for this product please contact Roper Rhodes using the contact details below.