

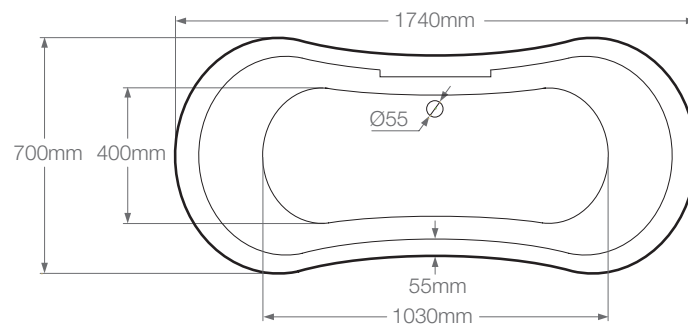
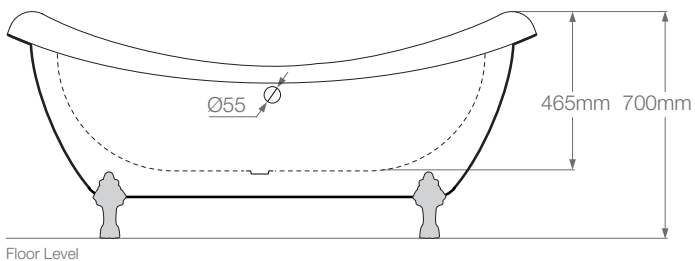
# Melrose - FA Foot

L 1740 x W 700 x H 700 mm

Royce Morgan



FA



## General Specification

Litres to overflow: 192 litres

Weight: 39kg

Weight (with water): 231kg

Foot Option: FA

Tap Holes: Can be drilled on request

Lifetime Guarantee (*Terms & Conditions apply*)

## Recommended Waste

W1: Exposed Chain Waste

W2: Complete Kit Chain Waste

W3: Complete Kit Pop-up Waste

W4: Concealed Chain Waste

W6: Exposed Pop-up Waste

## Accessories

RMFKIT01: Feet Fixing Kit

W11: Over Edge Chrome Pipe Shrouds

W14: Over Edge Chrome Pipe Shrouds  
(with Handle for Bath Shower Mixer)