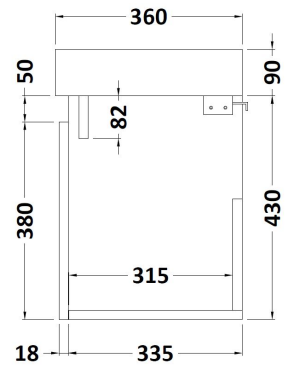
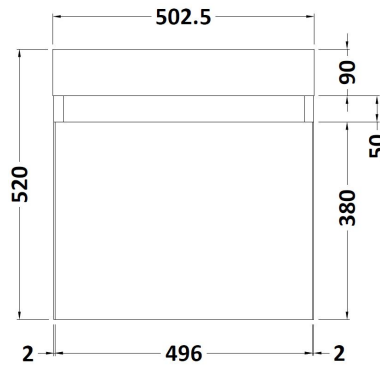


## CUSTOMER DATA SHEET

SALES CODE: MER006

DESCRIPTION: 500 Single Door Wh Vanity And Basin



### PACKAGING DETAILS

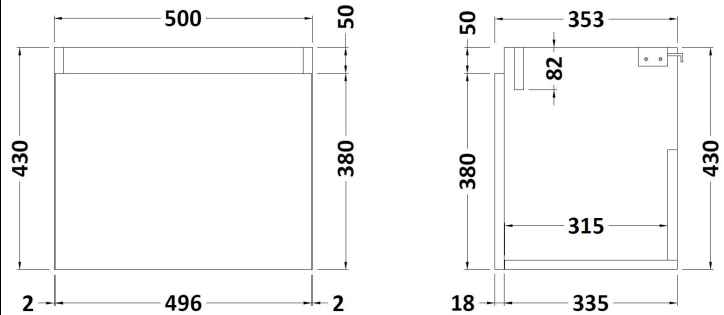
Barcode

5056211801191

## CUSTOMER DATA SHEET - FURNITURE

SALES CODE: MOZ882

DESCRIPTION: 500 Single Door Wall Hung Unit



### PRODUCT DIMENSIONS

Height (mm)	Width (mm)	Depth (mm)	Nett Wgt Kg
430	500	353	15

### PACKAGING DIMENSIONS

Height (mm)	Width (mm)	Depth (mm)	Gross Wgt Kg
375	520	450	15

### PACKAGING DATA

Box Colour	Brown Cardboard Box		
Box Qty	1	Label Colour	White Label
Label Size	50 x 100	Label Qty	2

### OUTER BOX DIMENSIONS (If Applicable)

Height (mm)	Width (mm)	Depth (mm)	Gross Wgt Kg
Barcode	5055275883679		

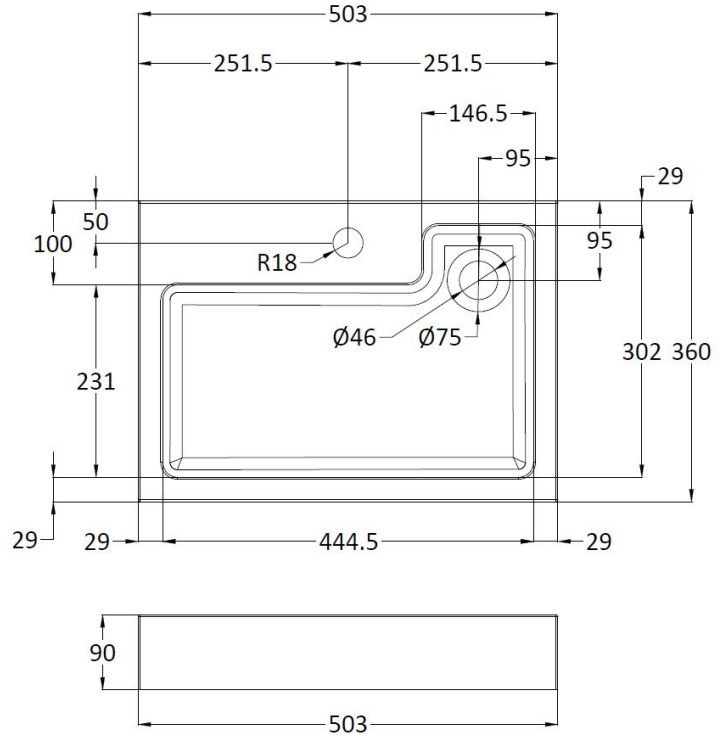
### PRODUCT DETAILS

Country of Origin	United Kingdom			
Fitting Instruction	No			
Constr' Method	Cam & Wood Dowel			
Cabinet Finish	MFC Textured Matt			
Cab Thickness (mm)	18			
Drawer Included	No			
No of Shelves	0			
Hinge Inc'	Yes			
Fixings Inc'	Yes			
Handle Inc'	No, Not Required			
Handle Type	Not Applicable			
Certification	FSC	Yes	CE	N/A
Colour	Natural Oak			
Constr' Type	Rigid			
Fascia Finish	MFC Textured Matt			
Fas Thickness (mm)	18			
Drawer Type	Not Applicable			
Hinge Type	95 Degree Soft Close			
Adjustable Legs	No, Not Required			
Handle Style	Not Applicable			
Waste Shroud	Not Applicable			

## CUSTOMER DATA SHEET - CERAMICS

SALES CODE: PMB022

DESCRIPTION: Rectangular L Shaped Basin



### PRODUCT DIMENSIONS

Height (mm)	Width (mm)	Depth (mm)	Nett Wgt Kg
90	502	360	11

### PACKAGING DIMENSIONS

Height (mm)	Width (mm)	Depth (mm)	Gross Wgt Kg
110	525	380	11

### PACKAGING DATA

Box Colour	Brown Cardboard Box - Printed		
Box Qty	1	Label Colour	White Label
Label Size	100 x 50	Label Qty	2

### OUTER BOX DIMENSIONS (If Applicable)

Height (mm)	Width (mm)	Depth (mm)	Gross Wgt Kg
Barcode	5055275819524		

### PRODUCT DETAILS

Country of Origin	China
Fitting Instruction	No

Certification	CE	No	WRAS	N/A	WRAS Number	N/A
Product Material	Polymarble					

### PANS/BIDETS

Trap Style	Not Applicable	Includes Seat	Not Applicable
------------	----------------	---------------	----------------

### CISTERNS

Fittings	Not Applicable	Operating Type	Not Applicable
Lever Type	Not Applicable		

### SEAT

Type	Not Applicable	Function	Not Applicable
Material	Not Applicable		
Hinge Type	Not Applicable	Hinge Material	Not Applicable

### BASINS

Tap Hole	One Taphole	Chain Stay Hole	No
Template	Not Required	Waste Type Req'd	Unslotted
Overflow Incl.	No	Overflow Cover	Not Applicable
Inner Bowl Depth	302mm		

### GENERAL

Fixing Supplied	No
-----------------	----