

# LOW PROFILE SHOWER TRAY FITTING INSTRUCTIONS

## Important please check that

- Only neutral mould resistant silicone should be used. Any Other type of sealant can damage the tray
- The site is big enough for the tray and subsequent enclosure.
- Prior to installing the tray, remove packaging and carefully inspect the surface for imperfections or damage.
- **Fitting the tray is acceptance of quality. No liabilities can be claimed for damages after the tray has been fitted.**
- The sitting of the tray is in a 90 degree corner.
- Please check the tray height as there are manufacturing tolerance that must be allowed for.
- If the product is not being fitted immediately it must be stored flat on a solid, level surface.

## BATHROOM DESIGN AND PLANNING CONSIDERATIONS

The shower tray purchased is our **LOW LEVEL** version designed to be fitted directly to a wooden (Marine plywood and not floor boards) or concrete floor. Therefore, the plumbing services **MUST BE** fitted below the floor surfaces. If this is not possible a panel riser kit may be purchased as an additional item which comes complete with a leg set. The following fitting instructions only apply to the low level version, please note that this design is intended to be fitted before tiling.

**It is the installers responsibility to ensure the shower suite has been arranged to retain water as per the needs of the customer.**

**ON ALL END WASTE TRAYS 1200MM AND LONGER SHOWER MUST BE FITTED AT THE WASTE END.**

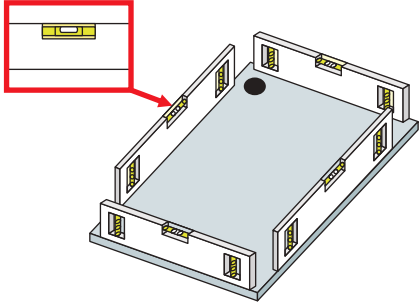
**AVOID POSITIONING HIGH VELOCITY WATER FEEDS DIRECTLY ONTO THE WASTE AREA AS RESULTING TURBULENCE CAN COMPROMISE WASTE CAPACITY.**

### NOTE:

**WHERE A TRAY HAS BEEN INSTALLED CONTRARY TO THESE INSTRUCTIONS NO LIABILITY CAN BE ACCEPTED FOR ANY LOSS OR DAMAGE HOWEVER CAUSED.**

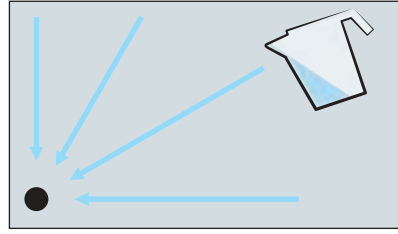
## ALL INSTALLATION TYPES: product pre-installation checks

### TEST 1 TESTING AREA MUST BE 100% LEVEL FOR ACCURATE READINGS.



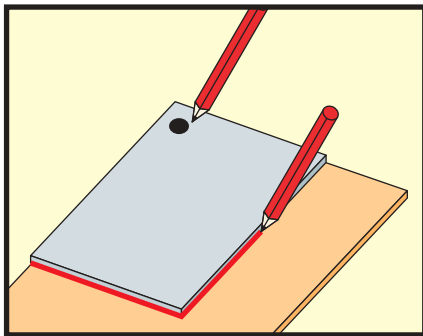
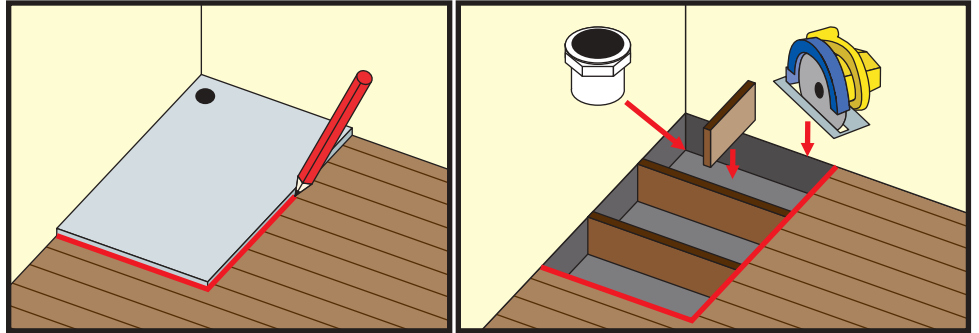
Use a large spirit level to ensure the tray is level on all sides

### TEST 2



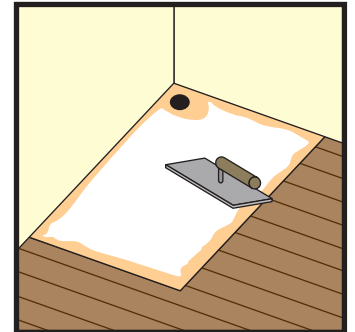
### A) For suspended wooden floor installation

**Step 1)** lay the tray into position & make a clear mark around its perimeter. You can then remove the tray and the existing flooring. Fit additional joist supports to ensure complete support of the outer rim of the tray and waste area.



**Step 2)** using a single sheet of marine plywood with a minimum thickness of 12mm mark the trays perimeter and waste hole. Fit all waste services before securing your plywood to your joists. (For sizing please refer to **Fig A** on opposite page)

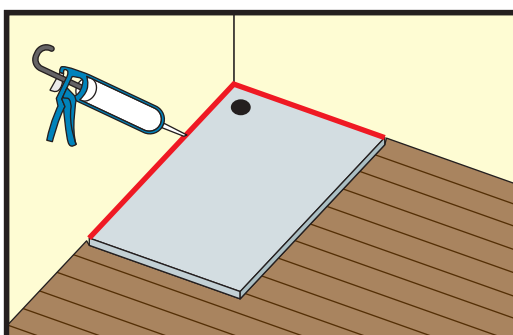
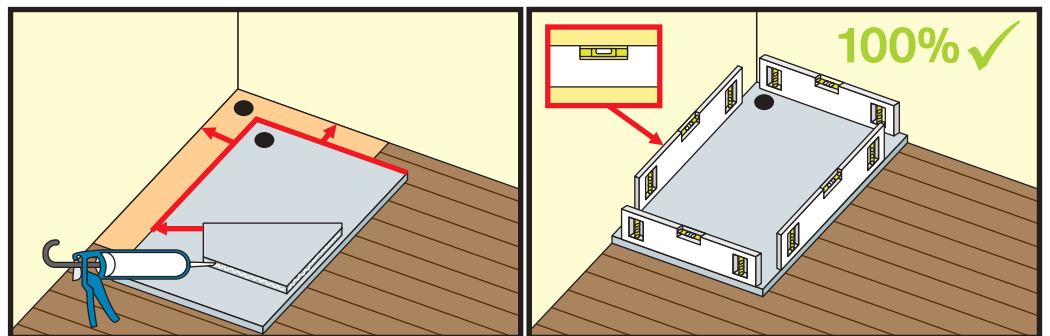
**Step 3)** Turn over the tray to inspect waste sealing area and confirm it is clean and serviceable. Temporarily offer the tray to fitment area and shim to level using spirit levels as per test 1 above. Connect plumbing set. Verify tests 1 and 2 above again. Confirm waste services are water tight before proceeding further.



**Step 4)** Clear the area of debris Apply a 5:1 sand and cement mix with a **minimum depth of 15mm over the entire area of the tray.**

Manipulate tray a minimum of 5mm into bed to ensure the underside of the tray is fully supported.

**Step 5)** Run a large bead of neutral mould resistant silicone on all edges that will contact the walls. Bed the tray with fitted waste into the sand and cement mix making sure the tray is 100% level on all sides. Repeat water test 2.



**Step 6)** Run a further bead of neutral mould resistant silicone around the rims of the tray adjacent to all walls. Allow all aspects of material to cure according to the manufacturers instructions.

**FITTING THIS TRAY IS ACCEPTANCE OF QUALITY**

## **B) For concrete floor installation**

**Step 1)** Lay the tray into position and mark out the tray perimeter and the position of your waste hole (Fig A).

**Step 2)** Remove the concrete from the waste area allowing enough depth for the provided waste and waste pipe connections.

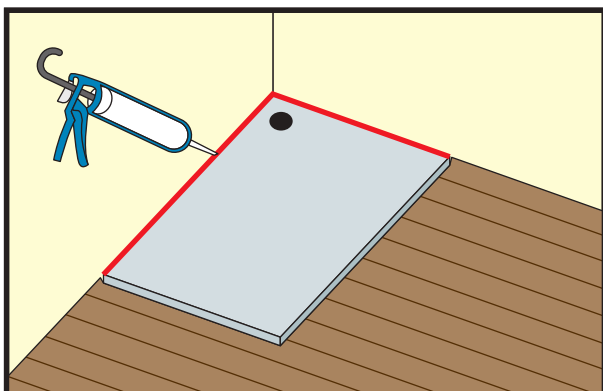
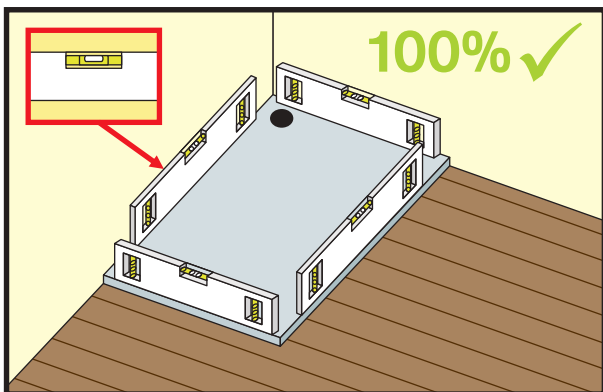
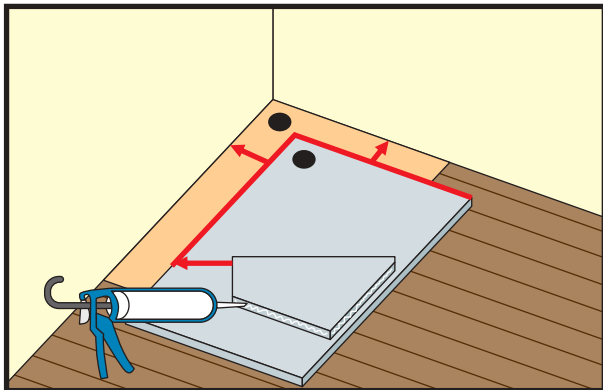
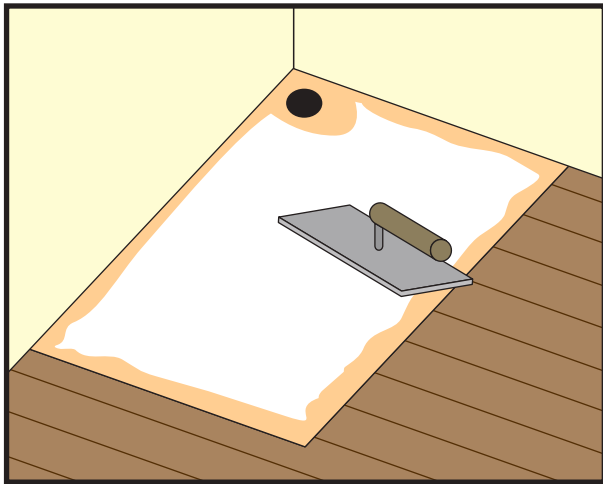
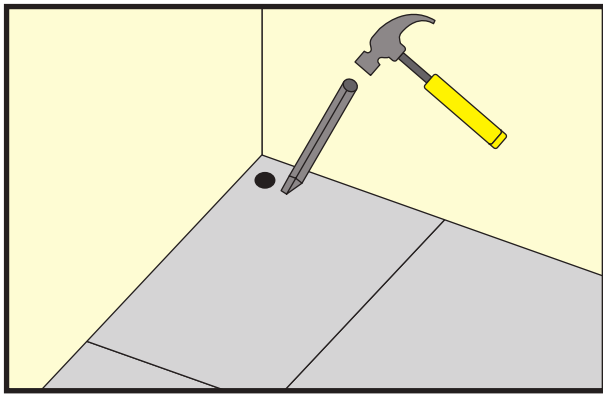
**Step 3)** Turn over the tray to inspect waste sealing area and confirm it is clean and serviceable. Temporarily offer the tray to fitment area, connect plumbing services and shim to level using spirit levels as per test 1 above.

Confirm waste services are water tight before proceeding further. Perform water drainage test as per test 2 above.

**Step 4)** Clear the area of any debris and apply your 5:1 sand and cement mix over **the whole area of the tray at a minimum depth of 15mm.**

Manipulate tray a minimum of 5mm fully into bed to ensure the underside of the tray is supported.

**Step 5)** repeat steps 5 and 6 from the wooden floor installation making sure the tray is **100% level.**



**ATTENTION!**  
DO NOT OVER TIGHTEN THE SHOWER  
WASTE ON INSTALLATION.  
SEE WASTE INSTALLATION INSTRUCTIONS  
FOR CORRECT FITTING.

## Cleaning and Maintenance

- The tray should be cleaned regularly with hot soapy water and a soft cloth / soft brush and then dried off. Do not use scourers, abrasives or chemical cleaners.
- The use of hydrochloric acid in any ratio should not be used as this may discolour the tray surface.

### **Durability**

The slip resistant tray is acrylic ABS capped. The slip resistance is moulded into the tray surface and NOT a post-production finish unlike other alternatives on the market. Therefore, it has excellent durability qualities and the coating will not deteriorate when maintained in accordance with these instructions.

### **Testing**

The slip resistant tray was independently tested by a UKAS accredited laboratory. The test results exceeded the requirements to achieve the best slip resistance classification possible.



Class C, DIN51097



PTV 36+, BS 7976-2: 2002 + A1:201

## Maintenance

The tray can be maintained as good as new by following these guidelines.

- 1) Dry out the tray fully after every use to avoid the build up of lime scale and soap residue.
- 2) Clean the tray out regularly with a damp cloth or sponge followed by a soft dry cloth.
- 3) Occasionally use a non-abrasive cleaner to remove any stubborn stains.

## Customer Guarantee

We guarantee this product against faulty material or manufacture provided it has been installed, used and maintained in accordance with the manufacturers instructions.

Should a claim arise we will request the following:-

- 1) Proof of purchase
- 2) The product has been fitted/installed in accordance with the fitting instructions.
- 3) The product has been maintained and cared for in accordance with our instructions. If in our opinion the product has been modified, misused, neglected or damaged, we cannot accept any responsibility for failure

## Warranty: Limitations

- a) The company warrants that its products will be free of any manufacturing related defect throughout the warranty period. If a product fails within this period as a result of a manufacturing defect then it will agree to either; repair, replace or refund the purchase price of the goods. Where the fault or defect is of a result of defective materials and or services (i.e. installation) supplied by a 3rd party then the purchasers only remedy is against that 3rd party.

Any claim made under the product warranty shall in all circumstances be limited to the repair, replacement or refund of the purchase price. The company shall not in any circumstances be responsible for damages, expenses, compensation, losses or other liabilities however incurred.

- b) Where the company is requested to attend site to inspect allegedly defective goods and it determines that the goods are not subject to a valid warranty claim, then it reserves the right to make a reasonable charge in respect of that visit.

**FITTING THIS TRAY IS ACCEPTANCE OF QUALITY**

CE

20

EN 14527 — CL1