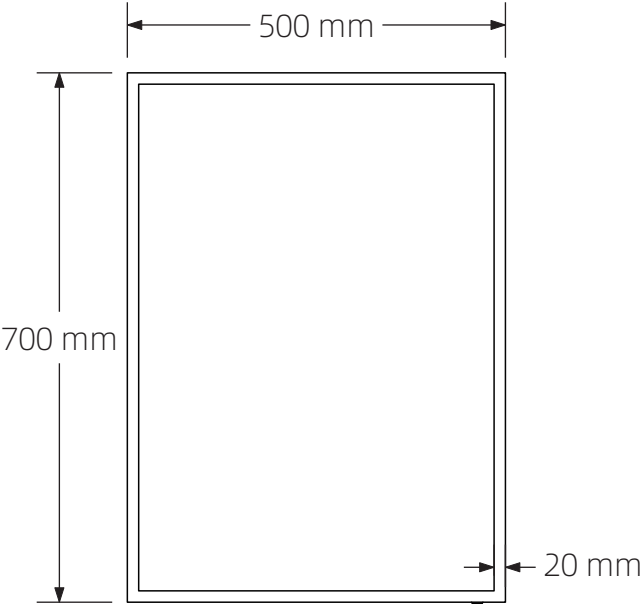


LED CABINET RANGE

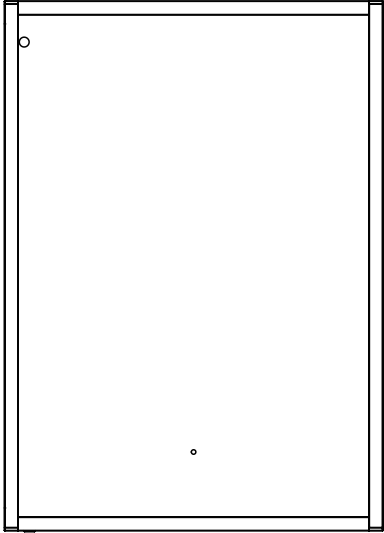


INSTRUCTION MANUAL

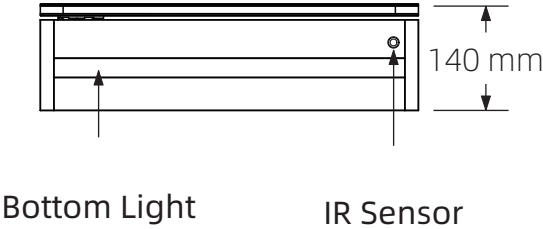
Technical Details



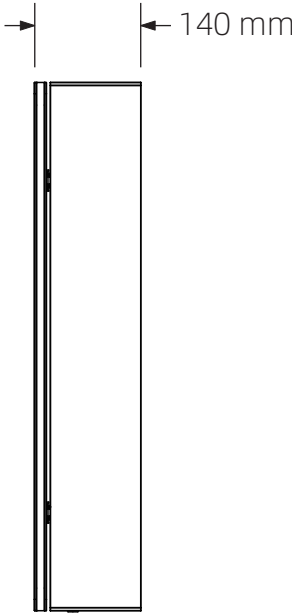
Front View



Back View

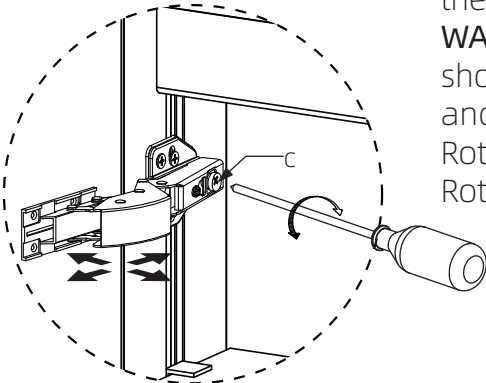


Bottom View

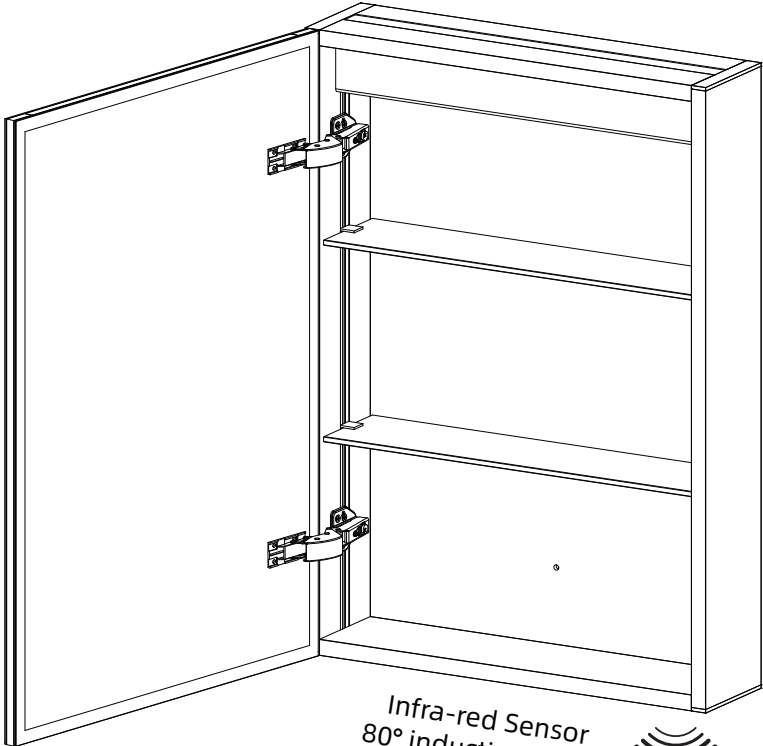


Side View

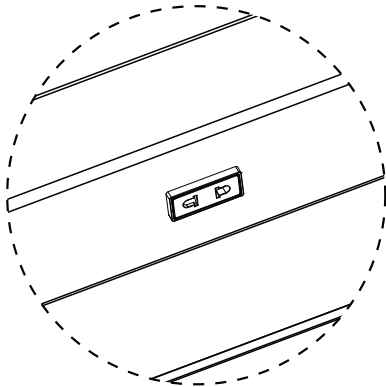
Adjustable Hinge



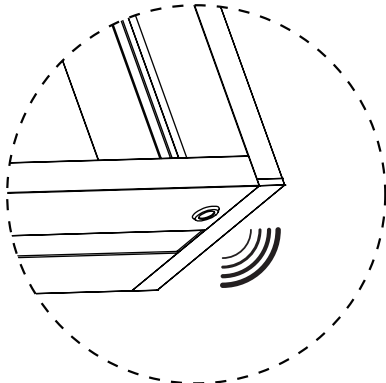
If the cabinet isn't flat, adjust the distance between the door and the cabinet by adjusting the screw (c) to make both doors flat. **WARNING:** The distance between the door and the cabinet should not be too small. Otherwise, the door can't be opened and may lead to the door rupture. Rotate CW: Distance between door and cabinet reduces. Rotate CCW: Distance between door and cabinet increases.



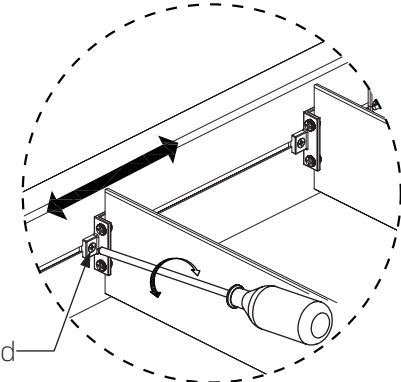
Infra-red Sensor
80° induction range
50mm induction distance



Shaver Socket



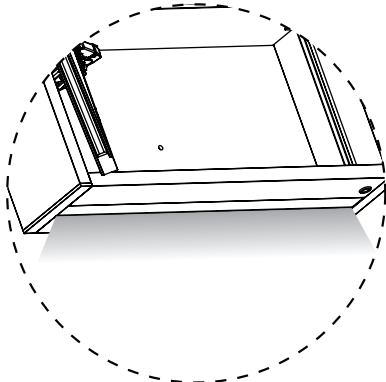
Infra-red Sensor



Adjustable Glass Shelving Panel

Loosen the snap screw (d) of the shelf to adjust the shelf position.

Safety Warning:
Do not disassemble the door unless necessary.



Bottom Light

Technical Details

Heated De-mister Pad

This mirror comes with a demister pad, which heats the surface of the mirror above room temperature removing the mist on surface .

IR Sensor On/Off Switch

The IR sensor switch can be used to Turn Led Lights and Demister On/Off.

Shaver Socket

You can plug in shaver/electric toothbrush to the shaver socket inside the cabinet.

Installation Information

We recommend that you receive the product before commencing with installation as all sizes and measurements are approximate. We try to ensure all measurements are as accurate as possible. In the interest of continued product development, we reserve the right to alter specifications as necessary. E & OE.

Aftercare Service

In the unlikely event that this product should fail please contact our customer service.

Operation Instructions

To turn on or off, wave hand under the sensor switch located at the bottom of the mirror marked by hand sensor sticker.

The Heated Pad is only on when the Mirror is illuminated.

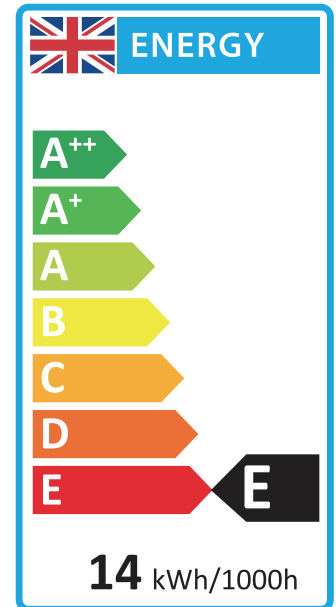
General information

This product conforms to U.K safety standards and must be installed in accordance with current IEE Wiring regulations and Building regulations.

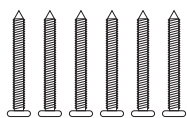
This product must be earthed, and should not be connected to an unearthed circuit. If there are only two wires coming from your power supply it means that this fitting can be wired to an unearthed circuit.

This product contains a light source of energy efficiency class 'E'

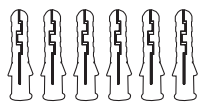
Compliance: This product complies with CE & UKCA standards.



Packing List



Screw
M4*50mm

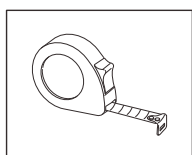


Expansion plug
φ6*30mm

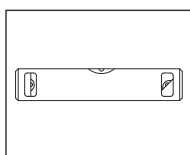


Aluminum alloy bar

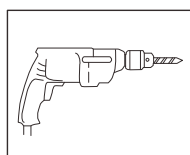
Required Tools



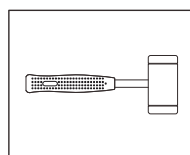
Flexible rule



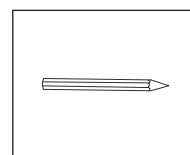
Spirit level



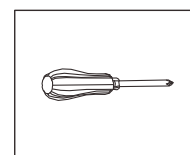
Drill



Hammer



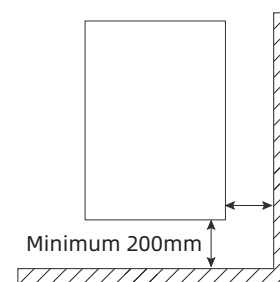
Pencil



Screwdriver

! Please Note

Products with an IR Sensor must be installed with a minimum distance of 200mm between the sensor and any solid object or reflective surface. Avoid directing sensor towards a reflective surface as this will may affect its function.



1. Before installing the product, please carefully read the instructions and operate accordingly.
2. Before installing, please turn off the main power switch and ensure that it won't turn on.
3. The installation of this product requires that a competent person with electrical knowledge installs this product.
4. This mirror cabinet is heavy, do not lift or install with single person in order to avoid injury.
5. Before installing, please check whether the product is broken, to avoid injury caused by damaged glass.
6. Do not clean the product surface with acid and alkaline cleaning agent; please use a damp cloth.
7. In case of functional failure of the product, users are not allowed to disassemble and repair without authorization, otherwise, our company will not be responsible for any safety accidents.

Installation Setup

1. Fixing the bar

- ① Open the product packaging, and check whether the product has any cosmetic or functional damage; if yes, please return it to the dealer.
- ② After selecting the location of the mirror cabinet, check whether the wall is solid, measure the distance of the holes (a1,a2,a3) in the aluminum alloy bar with a tape measure and mark the wall with a level and pencil (Fig. 1).
- ③ Drill holes in the marked positions with electric drill and $\phi 4$ drill bit. Use a special ceramic drill if the wall surface is ceramic tile.
- ④ Knock the expansion plugs into the holes in the wall with a hammer. Tighten the screws with a screwdriver to fix the bar. Finally calibrate the level with a spirit level (Fig. 2).

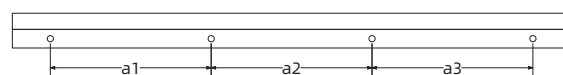


Fig.1

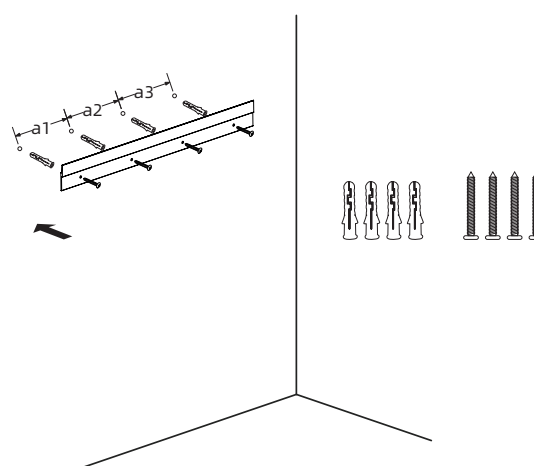


Fig.2

2. Positioning and Installation of Mirror Cabinet

- ① Attach the mirror cabinet to the bar as shown in Fig. 3, open the cabinet door, and mark on the wall (b2) with a pencil through the backplane hole (b1).
- ② Remove the mirror cabinet, drill the fixing hole in the wall in the marked position, and place the expansion plugs (Fig. 4).
- ③ Repeat the operation as shown in Fig. 3 and mount the mirror cabinet to the bar, and then tighten the screws (Fig. 5).
- ④ Finally, turn on the main switch, and test if the switch works normally.

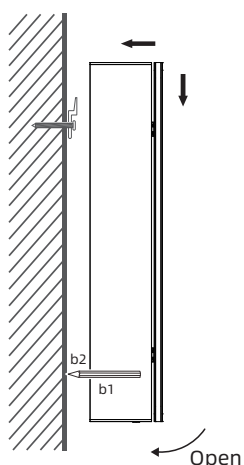


Fig. 3

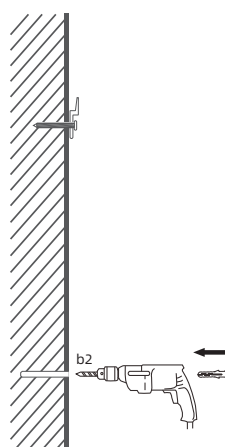


Fig. 4

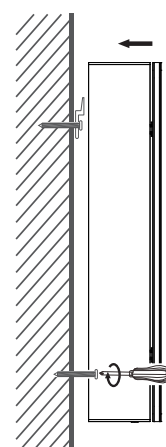
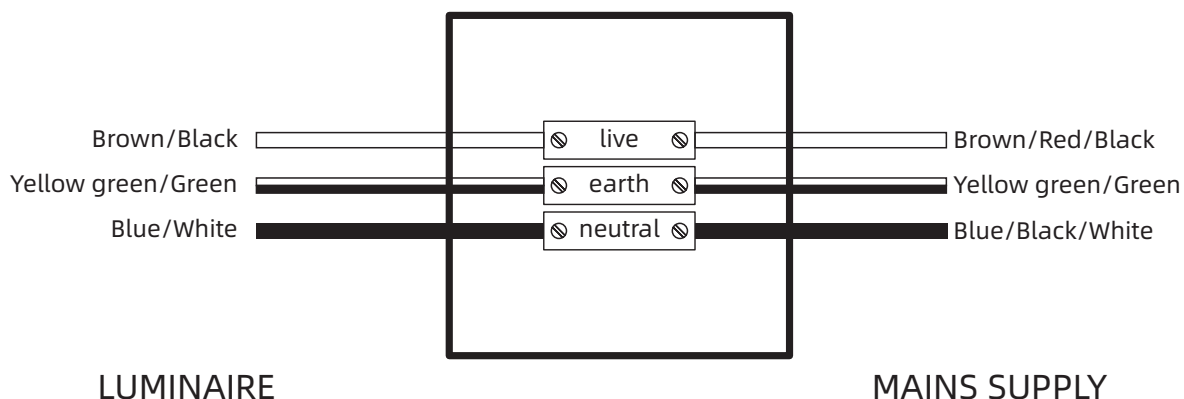
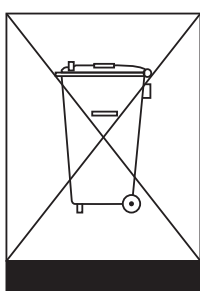
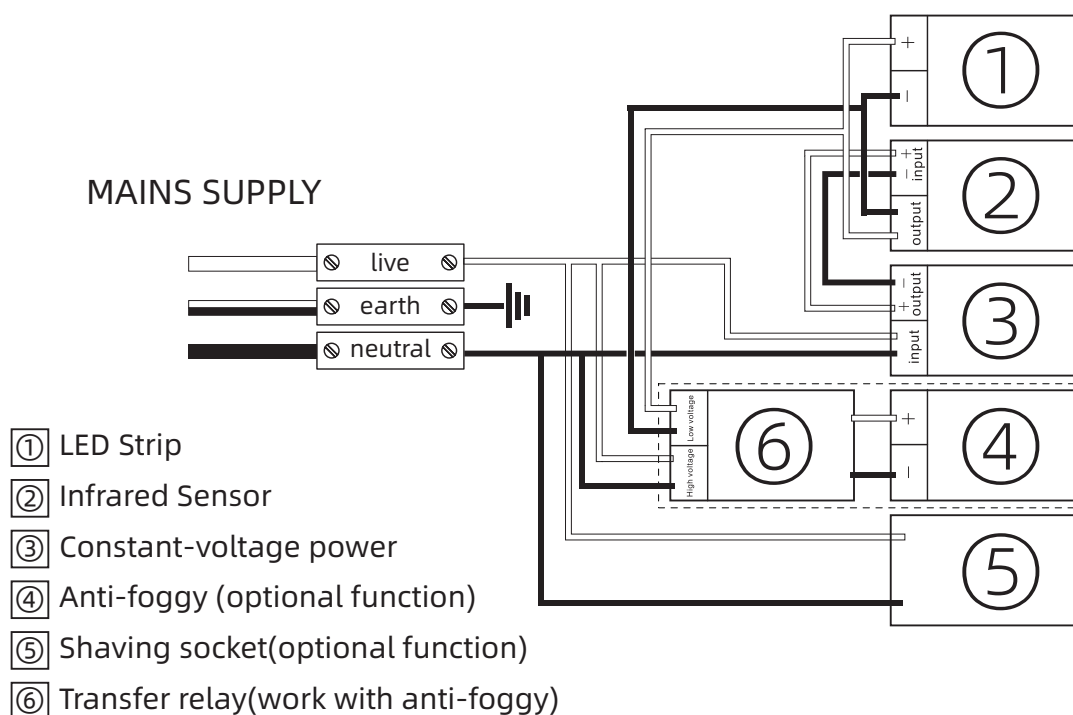


Fig. 5

Wiring Diagram for Input



Schematic Diagram



Waste Electrical & Electronic Equipment Regulations (WEEE) requires that any of our products showing this mark (left) must not be disposed off with other household or commercial waste. We do not levy any WEEE disposal charges to its customers for affected WEEE related products. To prevent possible harm to the environment or human health from uncontrolled waste disposal, please separate any such product from other waste types and recycle it responsibly at your local facilities. Check with your Local Authority, Recycling Center or retailer for recycling advice.

LED Mirror FAQ's

A. Net Weight (kg)	/
B. Light Source	LED
C. Light source average lightspan	50k (hrs)
D.Total Rated Wattage (w)	50w
E.Lumens(Lm)	2300Lm
F. Kelvins (K)	6400k+ /-300k
G.Is the Mirror Dimmable	No
H.Energy Rating	E
I. What orientation can the mirror be hung in	Portrait
J. Is the heated pad only on when the mirror is illuminated	Yes
K.Does the mirror require an earth connection	No
L.Can I bypass the sensor so the mirror turns on with the main room light	No
M.Is it cool white or warm white illumination	Cool White

We recommend that all Electrical Bathroom products should only be fitted by a suitably qualified, P-part registered electrician in accordance with current IEE Regulations. Ensure mains power supply is switched off before starting installation. Before drilling, ensure there are no hidden cables or pipes in the wall.

We recommend that you receive the product before commencing with installation as all sizes and measurements are approximate. We try and ensure all measurements are as accurate as possible. In the interest of our continuous product development, we reserve the right to alter specification as necessary. E&OE.