

MI 3/4 BLK

MILA Tap Range Mila Bath Pillar Taps Black



Features:

- You really can count on Bristan taps as they are designed, engineered and tested to last with our precise glide and secure fix components plus a modern black finish, all under a 10 Year guarantee for peace of mind
- A black finish that will make a statement in any bathroom
- Long life and easy to use 1/4 turn ceramic disc valves
- Supplied with metal fixing nut for added durability and to secure your tap in place
- Easy-to-use lever handles

Product Certifications:

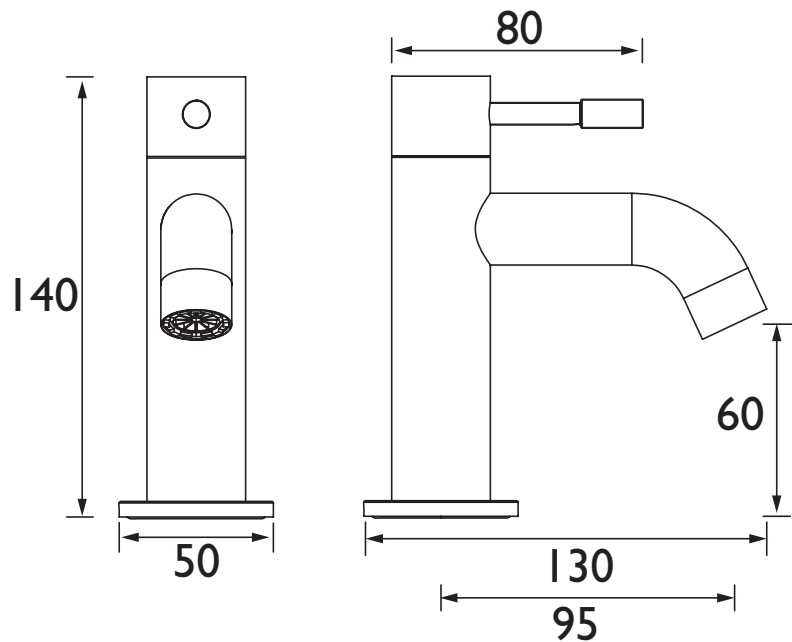
For more products, visit our website:
<http://www.bristan.com>



Specification

Product Type:	Bathroom Taps
Main Construction Material:	Brass
Mount Type:	Deck Mounted
Handle Type:	Lever
Connection Inlet:	3/4" BSP
Connection Outlet:	Flow Straightener
Number of Tap Holes:	2
Valve/Cartridge Type:	3/4" Ceramic Disc Valve - 1/4 Turn
Plumbing System Requirements:	Suitable for all plumbing systems
Minimum Dynamic Pressure (bar):	0.2 bar
Maximum Dynamic Pressure (bar):	5.0 bar
Maximum Hot Water Temperature °C:	60 °C
Maximum Static Pressure (bar):	10 bar
Isolation Included:	No

Dimensions (measurements in mm)



Flow Rates (l/min)

System Pressure (bar)	0.2	0.5	1	2	3	5
MI 3/4 BLK (Cold)	12.3	20.5	29.3	41.7	50.4	64.8
MI 3/4 BLK (Hot)	11.5	19.2	28.0	39.8	48.9	60.7

TECHNICAL
DATA
SHEET



BRISTAN

D1