

MI BSM C

MILA Tap Range Mila Bath Shower Mixer Tap Chrome



Features:

- You really can count on Bristan taps as they are designed, engineered and tested to last with our precise glide and secure fix components plus a hard wearing luminance chrome finish, all under a 10 Year guarantee for peace of mind
- Long life and easy to use 1/4 turn ceramic disc valves
- Includes hose, multi function handset and wall bracket
- Supplied with metal fixing nuts for added durability and to secure your tap in place
- Easy-to-use lever handles

Product Certifications:



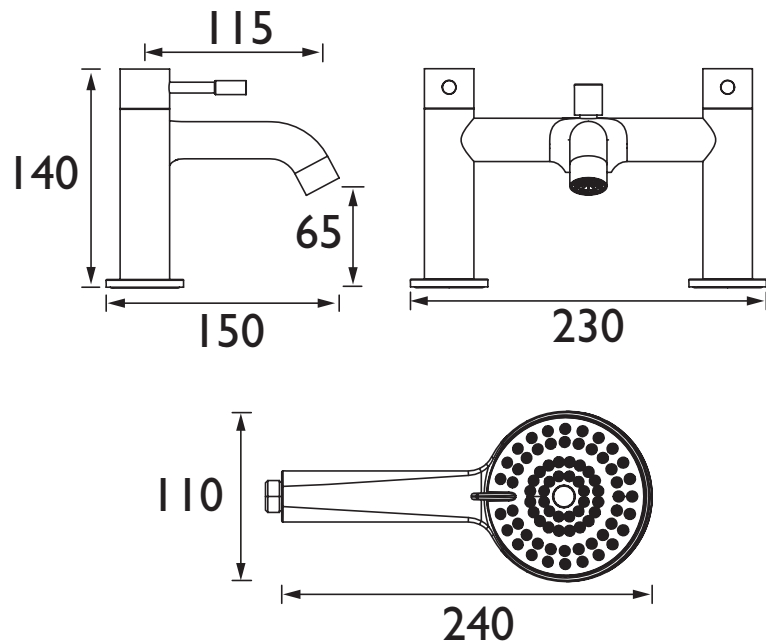
For more products, visit our website:
<http://www.bristan.com>



Specification

Product Type:	Bathroom Taps
Main Construction Material:	Brass
Mount Type:	Deck
Handle Type:	Lever
Connection Inlet:	3/4" BSP
Connection Outlet:	Flow Straightener
Number of Tap Holes:	2
Valve/Cartridge Type:	3/4" Ceramic Disc Valve - 1/4 Turn
Plumbing System Requirements:	Suitable for all plumbing systems
Minimum Dynamic Pressure (bar):	0.2 bar
Maximum Dynamic Pressure (bar):	5.0 bar
Maximum Hot Water Temperature °C:	60 °C
Maximum Static Pressure (bar):	10 bar
Flow Type:	Single
Isolation Included:	No

Dimensions (measurements in mm)



Flow Rates (l/min)

System Pressure (bar)	0.2	0.5	1	2	3	5
Through Bath Filler (mixed)	13.1	21.7	30.9	43.7	53.2	68.6
Through Handset (mixed)	3.8	6.3	9.3	14.0	18.3	19.9

TECHNICAL DATA SHEET



BRISTAN

D1