

# BRISTAN

## Installation Instructions & User Guide

Please leave these instructions  
with the end user

MOL BF BLK (D1)

### Specifications

#### Dynamic Water Pressure

Min: 0.2 bar      Max: 5.0 bar



Maximum Static Pressure: 10.0 bar

#### Inlet Water Temperature



Maximum Hot 60°C

#### Inlet Connections



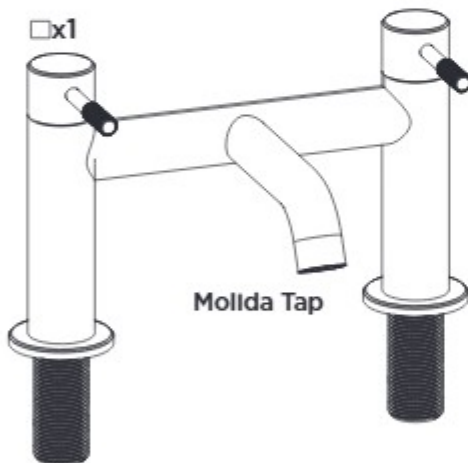
3/4" BSP

#### Outlet



M24 Recessed  
Honeycomb Aerator

### Pack Contents



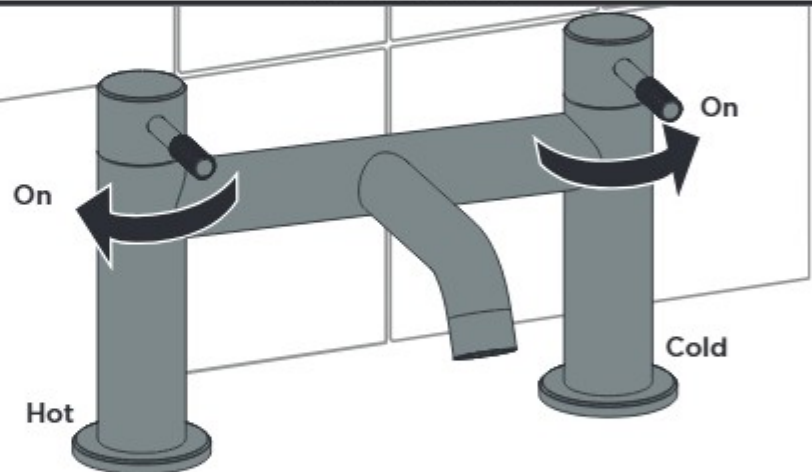
Molida Tap



Washer

Backnut

### Operation



### Tools Required for Installation/ Maintenance



Adjustable Spanner



Hexagonal Keys  
2.5mm



Phillips Head  
Screwdriver  
Size 1



Box Spanner  
(Inlets)  
32mm



Box Spanner  
(Cartridge)  
17mm

### Prior to Installation

All products manufactured and supplied by Bristan are safe to use provided that they are installed, operated and receive regular maintenance in accordance with these instructions.

This product needs to be installed in accordance with, and meet the requirements of The Water Supply (Water Fittings) Regulations (Northern Ireland) 2009 and The Water Supply (Water Fittings) (Scotland) Byelaws 2014. For full Installation Requirements & Notes (IRN) please visit [www.wrasapprovals.co.uk/approvals-directory](http://www.wrasapprovals.co.uk/approvals-directory)

Isolation valves must be fitted to the inlet water supplies to ensure ease of future maintenance.

Before installing this product the water supply must be thoroughly flushed in order to remove any swarf, solder etc. Full access must be made available for future maintenance/servicing purposes.

This product must not be modified in any way as this will invalidate the guarantee.

### Spare Parts



To replace any spare parts for your tap, why not scan the QR Code or visit [www.bristan.com](http://www.bristan.com) and search for your product.



## Important

**The images shown are for illustrative purposes only.**

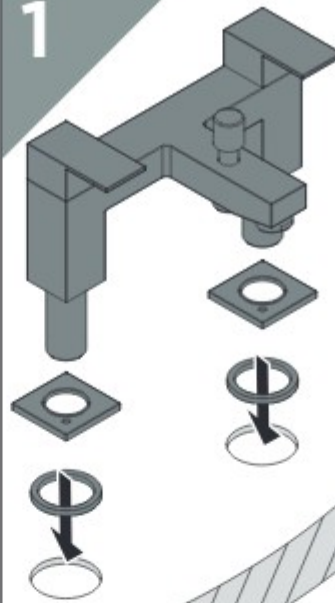
The tap you have purchased may look different to those pictured in this booklet but will follow the same installation steps.

**Your contents page will be specific to your product.**

If you find your product or any of its components differ from those shown on the contents page, please contact our customer support.

## Installation

1

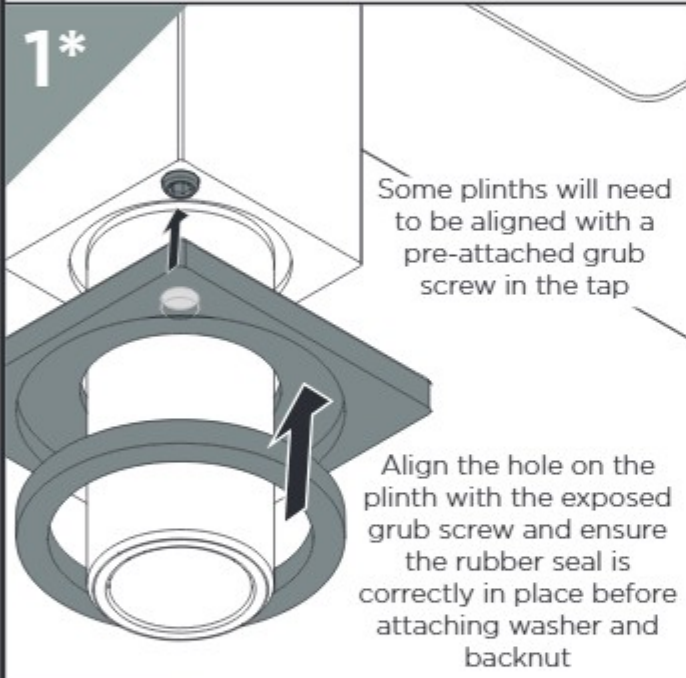


Feed the tap body through the plinths and ensure rubber plinth seals are in place

Once aligned, feed the threaded tails through tap holes

**IMPORTANT**  
Your model may come with a plinth and will either be included pre-attached or loose in the box\*

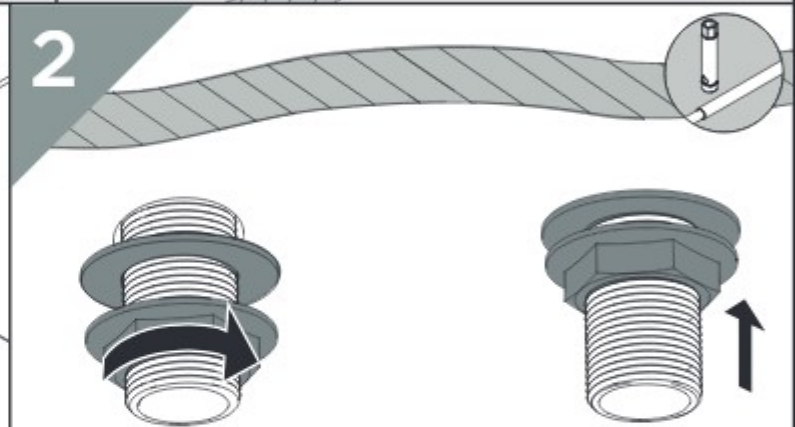
1\*



Some plinths will need to be aligned with a pre-attached grub screw in the tap

Align the hole on the plinth with the exposed grub screw and ensure the rubber seal is correctly in place before attaching washer and backnut

2



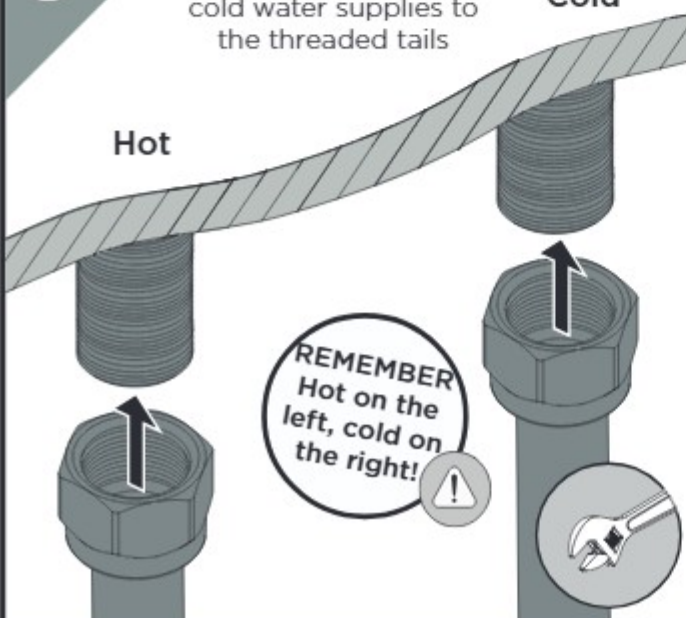
To secure the taps to the bath, use a box spanner to tighten the metal backnuts underneath ensuring the washer is correctly positioned in between the backnuts and the bath

3

Connect the hot and cold water supplies to the threaded tails

Cold

Hot



**REMEMBER**  
Hot on the left, cold on the right!


## General Cleaning

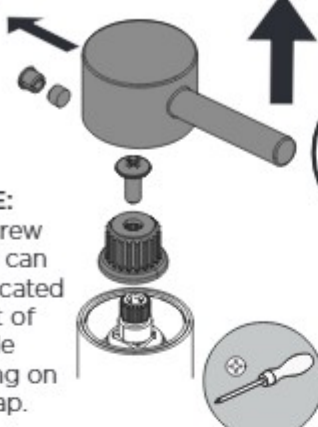
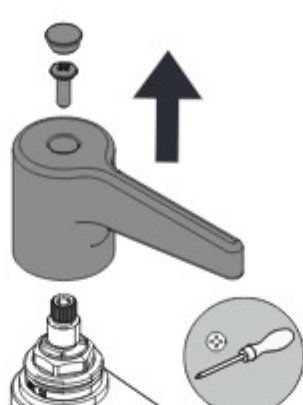


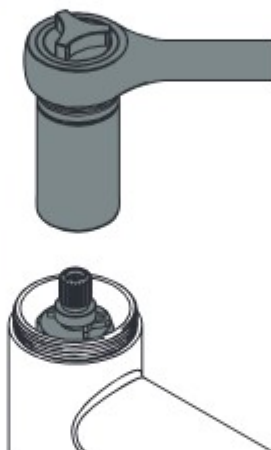
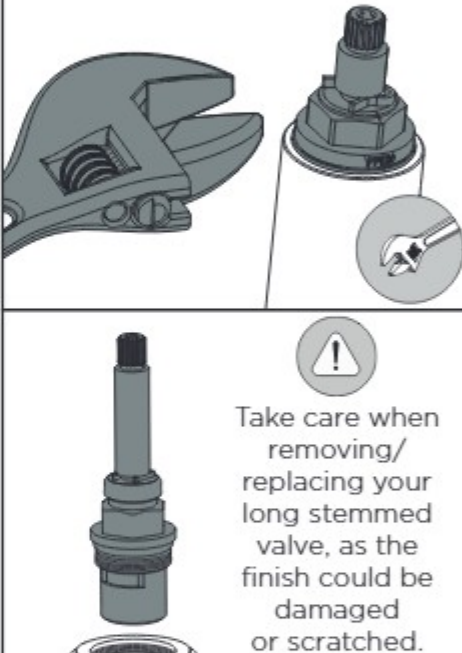

Bristan products are made from premium materials, with hand polished, electroplated, PVD or EPD finishes.

Your taps or shower should be regularly cleaned with warm water, a mild pH-neutral liquid soap, and polished with a soft cloth. Any residues from soap, toothpaste, shampoos and shower gels can cause blemishes if not rinsed off straight after use.

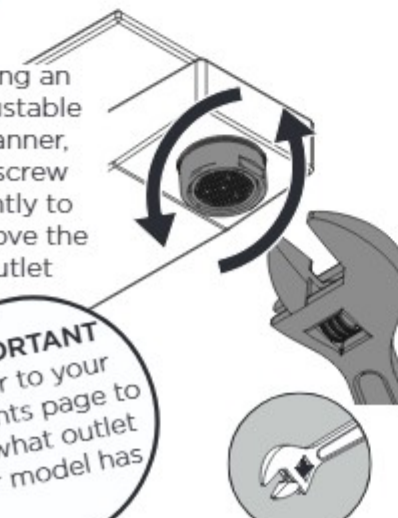
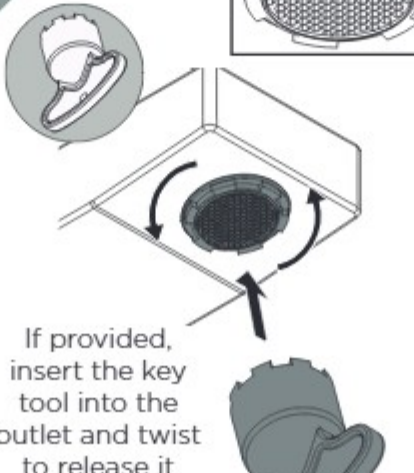
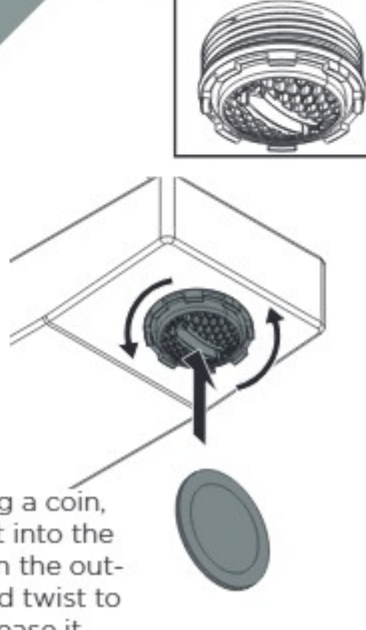
Household bleaches and cleaners contain harsh chemicals and may damage the surface finish. Avoid using abrasive cloths, scouring pads, scrub sponges, steel wool or anything similar.

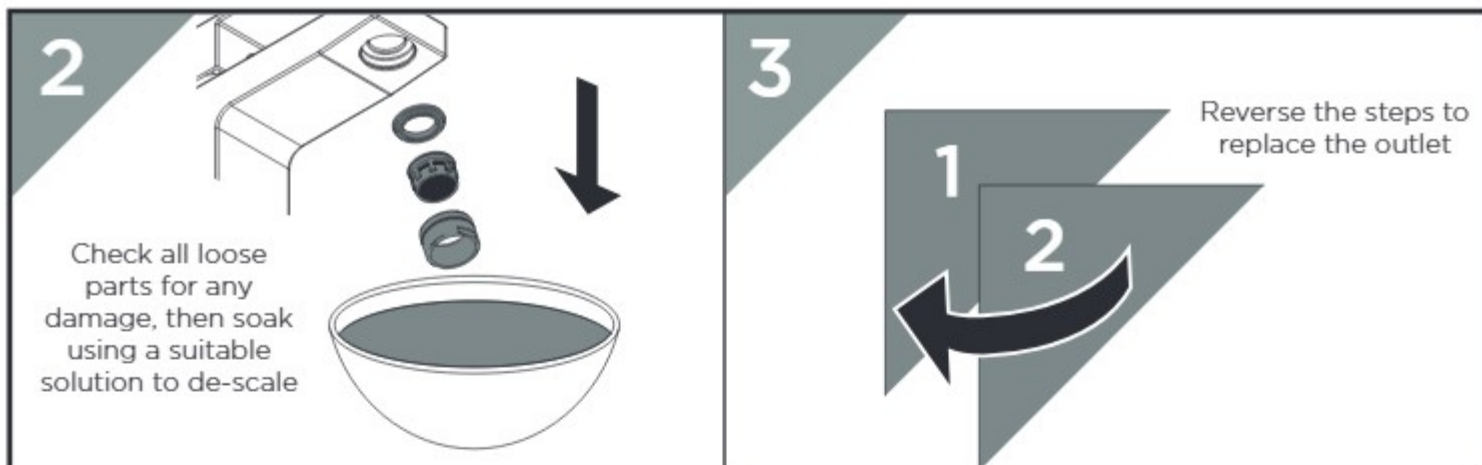
# Maintenance - Valve Replacement

 PLEASE NOTE - Taps shown in these instructions are for illustration purposes only. All taps can be maintained using these instructions.

<p><b>1</b></p>  <p><b>NOTE:</b> Grub screw and cap can also be located at front of handle depending on your tap.</p> <p><b>IMPORTANT</b> Isolate the water supply before starting!</p>	<p>Remove the handles depending on the style of your tap, including any spline adaptors if used.</p> 	 <p>Unscrew handle and washer to remove the handles.</p>
<p><b>2</b></p>  <p>Remove the shrouds, screws and spline adaptors if your model has them.</p> <p>When replacing, ensure valve is fully closed with the handle parallel to the spout.</p>	<p><b>3</b></p>  <p>Remove the valve using the tool required for your tap. Check any seals and O-rings for damage. Replace valve if necessary.</p>	 <p> Take care when removing/replacing your long stemmed valve, as the finish could be damaged or scratched.</p>

# Maintenance - Clean/ Replace Outlet

<p><b>1a</b> <b>Housed Outlet</b></p>  <p>Using an adjustable spanner, unscrew gently to remove the outlet</p> <p><b>IMPORTANT</b> Refer to your contents page to see what outlet your model has</p>	<p><b>1b</b> <b>Recessed Outlet</b></p>  <p>If provided, insert the key tool into the outlet and twist to release it</p>	<p><b>1c</b> <b>Coin Slot Outlet</b></p>  <p>Using a coin, insert into the slot on the outlet and twist to release it</p>
---	--	--



## Troubleshooting

Symptom	Cause	Remedy
<b>No flow or low flow rate</b>	Partially closed isolation valve.	Open isolation valve.
	Head of water is below the minimum distance required.	Refer to specification for minimum distance required.
	Hot or cold water being drawn off elsewhere causing pressure changes or instantaneous boiler temperature changes.	Do not use other water outlets when using the taps.
	Airlock or partial blockage in the supply pipework.	Flush through pipework to ensure removal of debris and any airlocks.
<b>Water dripping from taps</b>	This is normal for a short time after using the taps.	This is caused by residual water tension, the build up of water in the tap body.
	If water continues to drip, possibly due to the ceramic disc valves	Remove valves and clean, refer to 'Maintenance' section before starting any maintenance.
<b>Taps do not turn on</b>	Closed isolation valve.	Open isolation valve.
	Mains water supply turned off.	Turn on mains water supply.

## Contact Us

**Bristan Group Ltd.**

**UK:** Bristan Group, B78 1SG.

**EU:** Masco Europe S.à.r.l.  
14 Rue Strachen  
6933 Mensdorf  
Luxembourg

# **BRISTAN**

**Customer Service:** +44330 026 6273

**Web:** [www.bristan.com](http://www.bristan.com)

**Email:** [enquire@bristan.com](mailto:enquire@bristan.com)

**A Masco Company**

## Our Guarantee

At Bristan, we want to make things as easy as possible for our customers. That's why we offer solid guarantees on all our products, effective from the date of purchase, to give you peace of mind.

To start your free guarantee simply scan the QR code and register your product. Alternatively visit [www.bristan.com/register](http://www.bristan.com/register).

For any other queries, please call our Customer Service on 0330 026 6273 where our expert team of advisors will be able to offer you any help and advice.

For full guarantee terms and conditions visit [www.bristan.com/service-centre/guarantees](http://www.bristan.com/service-centre/guarantees).

