

PRODUCT DATA SHEET

Mono Basin and Stand

Product Code: MONO-ROUND-STAND-INC-BASIN



SCUDO
BEAUTIFUL BATHROOMS

0330 124 7290

sales@scudo.co.uk - www.scudo.co.uk

Scudo is the trading name of Harrison Bathrooms Ltd. Whilst we endeavour to ensure that the product information is accurate we accept no liability for any information given. All images are for illustration purposes only. Product images and specification are subject to change. Measurement are in millimetres and are nominal.

Product Measurements

Product Weight:	15.7kg
Product Width:	450mm
Product Height:	850mm
Product Depth:	450mm
Product Length:	N/A

Product Transportation

Barcode:	5060500644642
Country of Origin:	China
Comodity Code:	9403609000

Primary Packed Measurements

Packaged Weight:	17.7kg
Packaged Length:	500mm
Packaged Width:	500mm
Packaged Height:	895mm

Packaging Weight

Card:	2kg
Paper:	N/A
Wood:	N/A
Plastic:	0.027kg

General Information

Construction Material:	Polymarble / Steel
Installation Type:	Free Standing
Colour / Finish:	Gloss White & Black Stand

Furniture Attributes

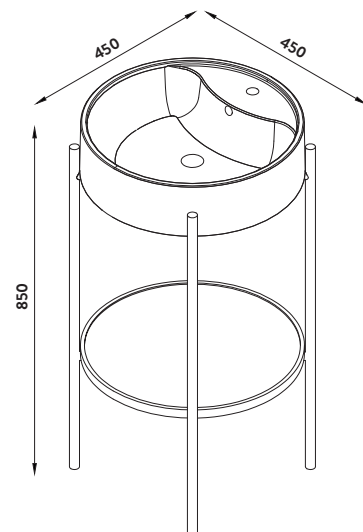
Supplied Fully Assembled:	Yes
Number of Drawer:	N/A
Number of Doors:	N/A
Soft Close Doors/Drawer:	N/A
Moisture Resistant:	Yes
Internal Shelves:	N/A
Door Opening Width:	N/A
Draw Opening Distance:	N/A
Advised Concealed Cistern:	N/A
False Draws:	N/A
Number of False Draws:	N/A
Reversible Doors:	N/A
Hinge Location:	N/A
Compatible Furniture Code:	N/A
Compatible Basin Code:	N/A

Handles

Handle Styles:	N/A
Handle Finish:	N/A
Handle Material:	N/A
Number of Handles:	N/A

Compliance DOP

HBDOC096 / HBDOC097



Dimensions
(measurements in mm)



LIFETIME GUARANTEE

We are confident in our products and we want our customer to be, we proudly give a lifetime guarantee on our taps and showers, further details can be found on our website