

TECHNICAL DATA SHEET

Meridian Toilet Seat - MSM1W

TAVISTOCK

NO.	Description	Product Code	Fixings included	Gross Weight	Seat Weight
1	Meridian Moulded Wood Toilet Seat	MSM1W	YES	3.35kg	N/A

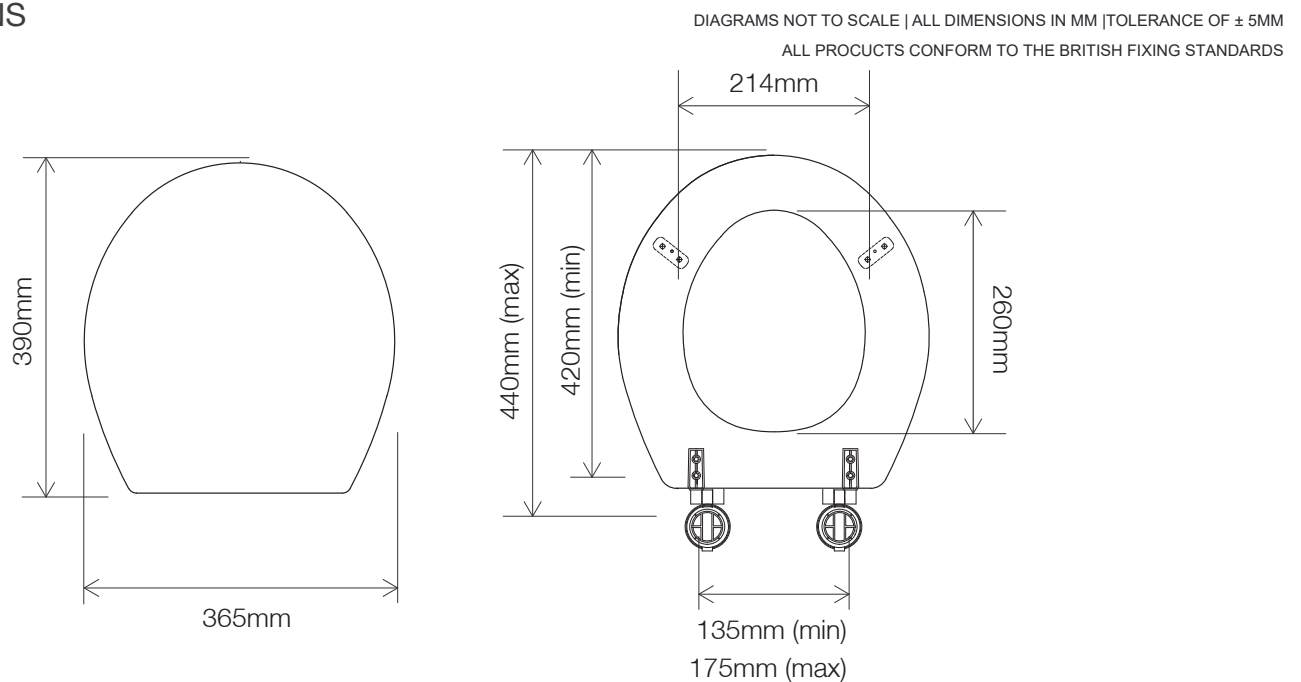


Spares Codes

Plastic Hinge + Fixing Kit - SP15374

Buffer Set - SP14968

DIMENSIONS



*Dimensions are subject to change, customers are advised to measure actual product before commencing installation.

FAQs

Q - What's the maximum test load of the seat?

A - 150kg

Q - What are the hinges made from?

A - Plastic

Q - What is the substrate?

A - Moulded MDF

Key Dimensions Descriptions	Key Dimensions (mm)
Seat/Lid Front to Back	390mm
Seat/Lid Left to Right	365mm
Ring Hole Front to Back	260mm
Ring Hole Left to Right	214mm
Seat Ring Thickness	15mm
Min/Max Adjustment for Fixings	135/175, 420/440