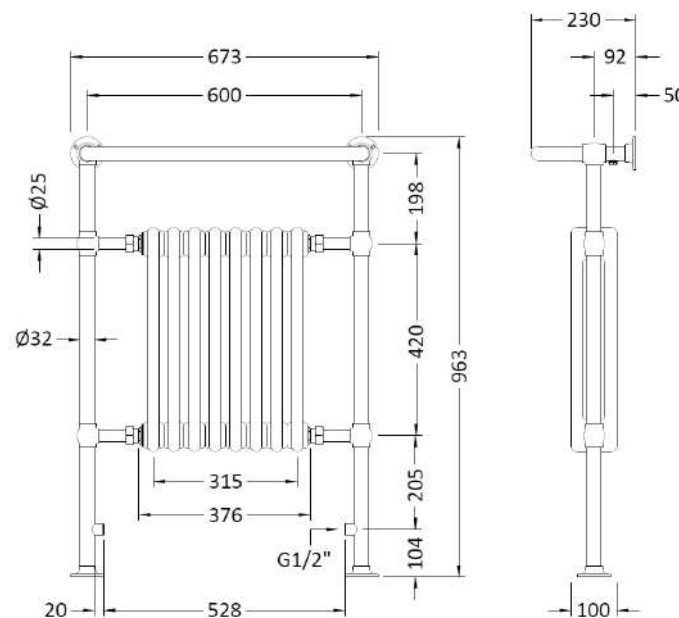


Sales Code: MTY022

Description: Harrow Heated Towel Rail 963mmx673mm



Product Dimensions

| | |
|-------------------|-------|
| Height (mm): | 965 |
| Width (mm): | 673 |
| Depth (mm): | 230 |
| Length (mm): | |
| Nett Weight (kg): | 19.26 |

Packaging Dimensions

| | |
|--------------------|-------|
| Height (mm): | 740 |
| Width (mm): | 300 |
| Length (mm): | 1040 |
| Gross Weight (kg): | 19.26 |

Packaging Data

| | |
|---------------|-------------------------------|
| Box Colour: | White Cardboard Shrinkwrapped |
| Box Qty: | 1 |
| Label Size: | 100 x 50 |
| Label Colour: | White Label |
| Label Qty: | 2 |

Outer Box Dimensions (If Applicable)

| | |
|--------------------|---------------|
| Height (mm): | |
| Width (mm): | |
| Length (mm): | |
| Gross Weight (kg): | |
| Barcode: | 5055146167129 |

Product Details

| | | | |
|-------------------------------------|----------------|-------------|-------------|
| Country of Origin: | China | | |
| Fitting Instruction: | No | | |
| Certification: | CE & UKCA: No | RoHS: N/A | WEEE: N/A |
| Colour/Finish: | Chrome/White | | |
| RAL No: | 9016 | | |
| Product Material: | Steel | | |
| Heat Element Wattage: | Not Applicable | | |
| Heating Element Wattage Compatible: | N/A | | |
| BTU Outputs: | 30°C / 925 | 50°C / 1778 | 60°C / 2252 |
| Thermal Outputs: (Watts) | 30°C / 271 | 50°C / 521 | 60°C / 657 |
| Pipe Centres - If Vertical: | 438mm | | |
| Pipe Centres - If Horizontal: | N/A | | |
| Max Projection: | | | |
| Tube Diameter: | 32mm | | |
| Packaging Volume (L): | 217 | | |
| Wall to Centre of Tappings: | 105 | | |
| Floor to Centre of Tappings: | 100 | | |
| Dual Fuel: | N/A | | |
| IP Rating: | | | |