

Electric Towel Rail

Installation Guide



ORNE & RANCE

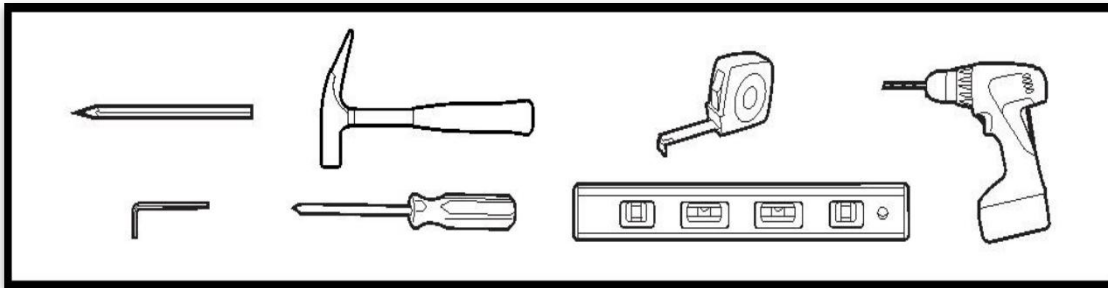
Please read this instruction carefully before installation and operation.



Warning: This device must be installed by a licensed electrician.

- This Towel Rail is not intended for use by persons (including children) with reduced physical, sensory or mental capabilities, or lack of experience and knowledge, unless they have been given supervision or instruction concerning use of the Towel Rail by a person responsible for their safety.
- In order to avoid a hazard, this Towel Rail must be installed so that the bottom rail is at least 600mm above the floor.
- This Towel Rail is intended to warm and dry towels and therefore is hot to the touch.
- The towel rail is to be installed so that switches and other controls cannot be touched by a person in the bath or shower.
- To avoid a hazard this towel rail must not be used to hold towels or any other articles that have been in contact with oil, petroleum based products or dry cleaning fluids.
- Use this Towel Rail only with the voltage specified on the rating label.
- Do not immerse in liquid or allow liquid to run into the interior of the Towel Rail. Indoor use only.
- Do not operate this towel rail if damaged or after the Towel Rail malfunctions or has been dropped or damaged in any manner. Return to a qualified electrical person for examination, electrical service or repair.
- Use this Towel Rail only as described in this manual. Any other use is not recommended by the manufacturer and may cause fire, electrical shock or injury.
- Do not use this Towel Rail in a window as rain may cause electric shock.

TOOLS REQUIRED



- Pencil
- Hammer
- Measuring Tape
- Hex key
- Screw driver
- Spirit level
- Electric drill

ACCESSORIES



Wall Anchors x 4



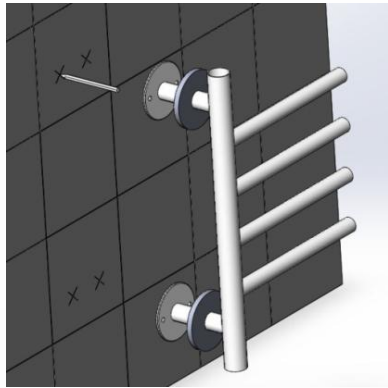
Long Screw M4*30 x 4

TECHNICAL SPECIFICATIONS

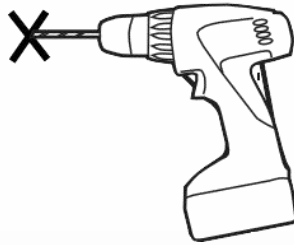
Code	Size	Color	Power	Voltage
ORNE	760*580mm	Polished	44W	230VAC,50HZ
RANCE	500*475mm	Polished	50W	230VAC,50HZ

Please follow the below installation steps to complete the towel rail installation.

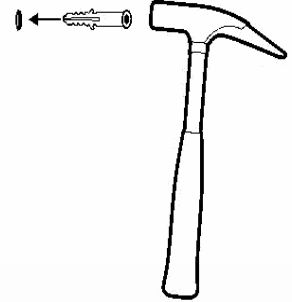
STEP 1



STEP 2



STEP 3

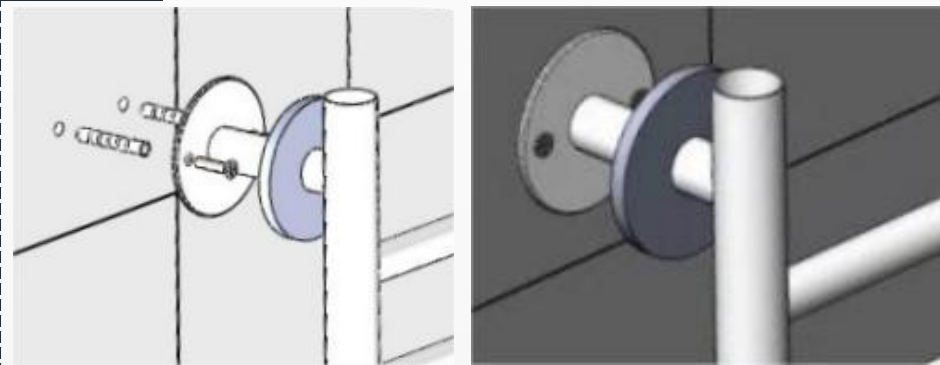


STEP 1: Loosen the decorative caps to reveal the mounting seats, ensure that the installation mounting seats are level, and use a pencil to mark the locations of the installation holes.

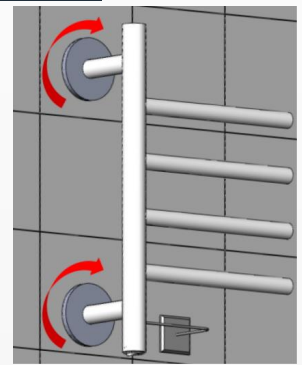
STEP 2: Make the holes with an electric driller.

STEP 3: Use a hammer to knock plastic wall anchors into wall completely.

STEP 4



STEP 5



STEP 4: Insert the long screws through the mounting seats and then secure them into the plastic wall anchors with a electric drill or screw driver.

STEP 5: Place the decorative caps onto the mounting seats and tighten them.



Warning: To prevent potential safety hazards, it is recommended that grounding and short circuit measurements be performed after installation of the device. This should be done by a licensed electrician.