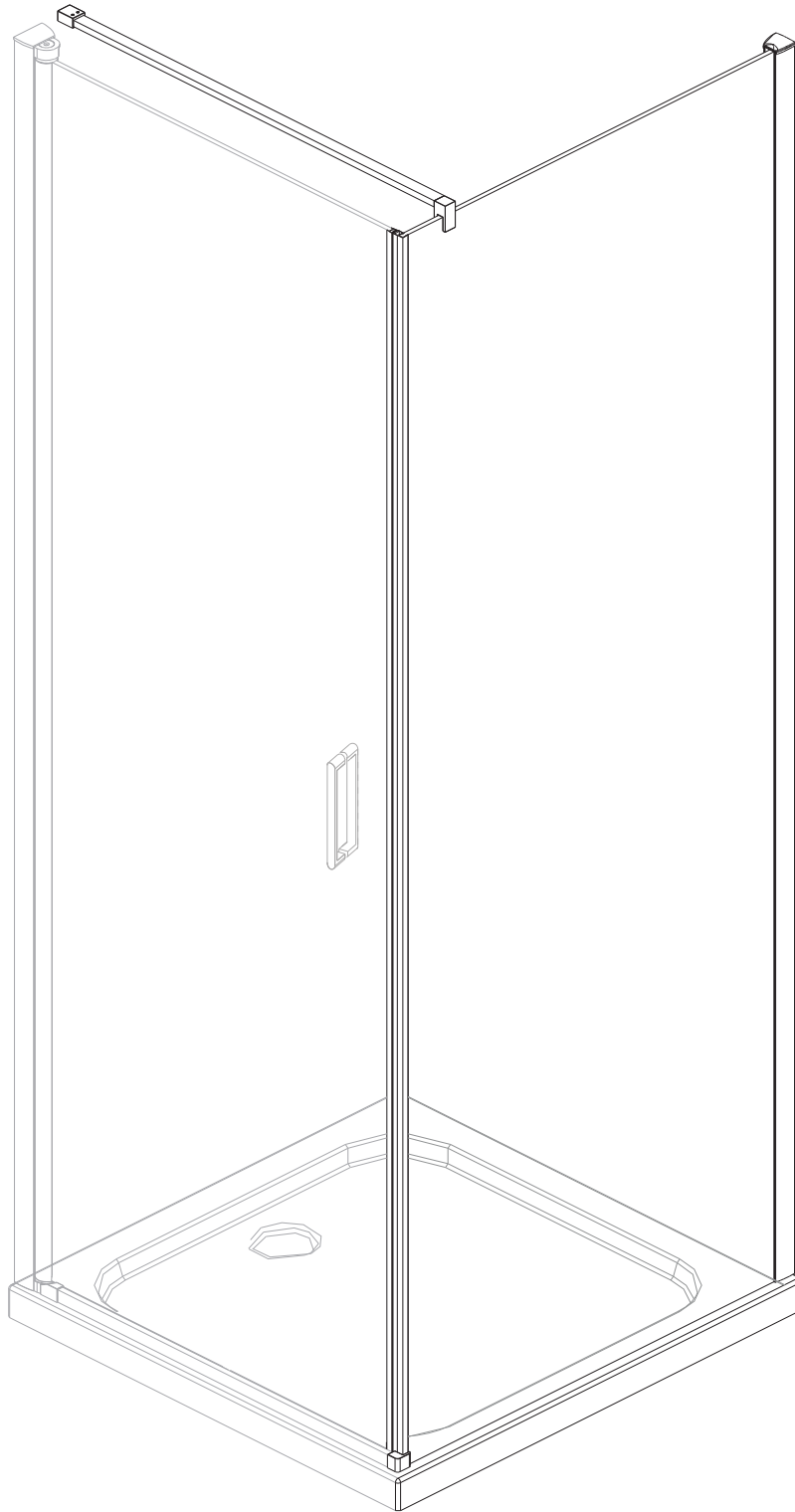


MERLYN 8 | series FRAMELESS

Installation guide for standard side panel



IMPORTANT:

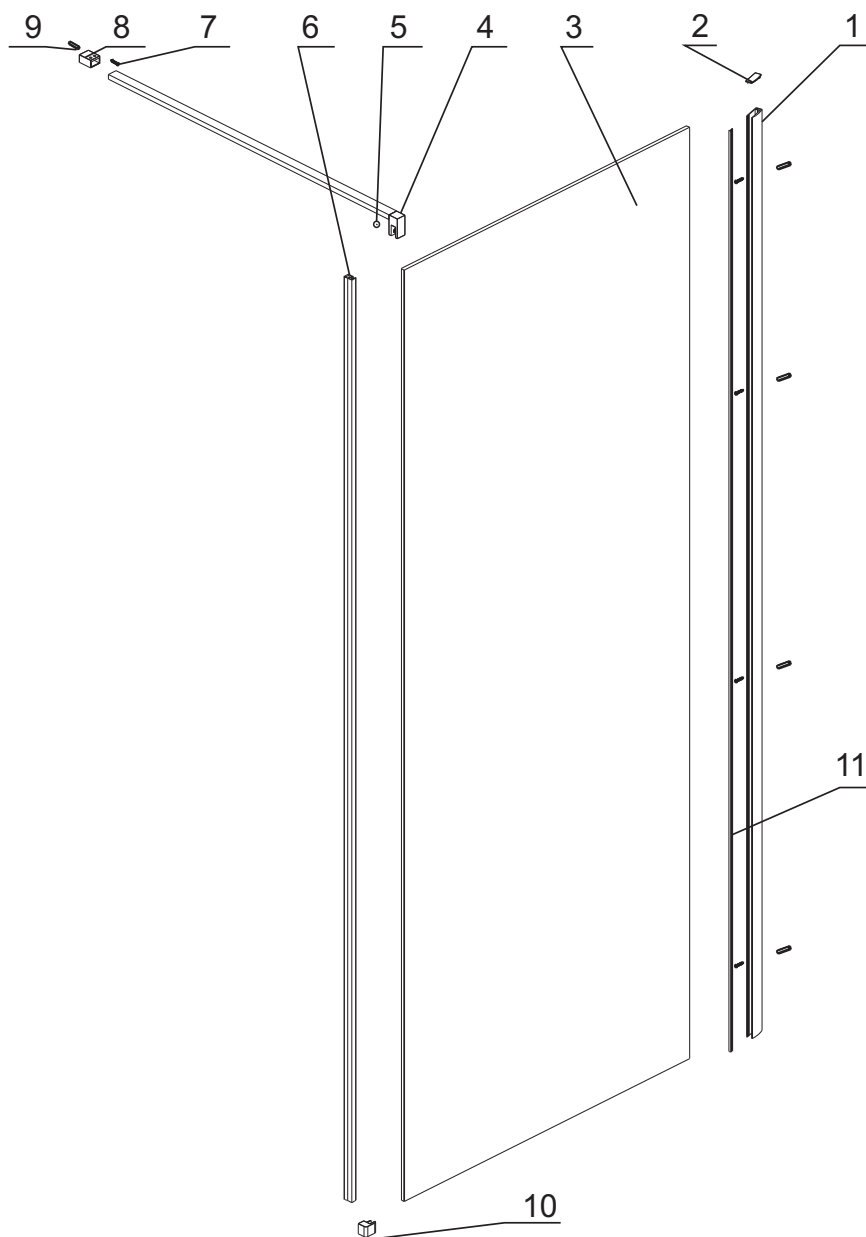
Please read the complete instructions
before commencing fitting.

Do not attempt to install the product unless you can tick all 4 boxes satisfactorily.

- Check that you have the tools required
- Check the installation site is compatible with
the sizes of door supplied
- Check all the enclosure components are present
- Check the installation kit is complete

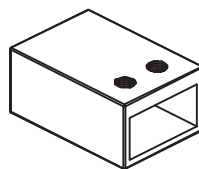
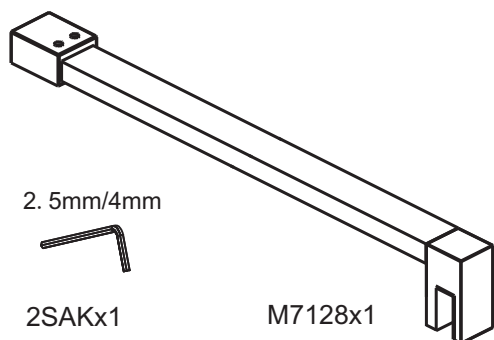
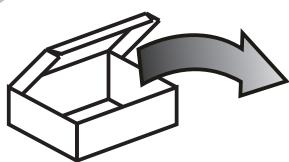
The wall plugs supplied with the installation kit are for use in solid walls. Hollow or 'stud partition' walls will require alternative fixings. Please consult a hardware supplier for the correct type. It may also be necessary to consult your tiling supplier about the correct method for drilling your tiles.

ATTENTION: TAKE EXTREME CARE WHEN HANDLING GLASS, WEAR PROTECTIVE EYEWEAR AND CLOTHING. DO NOT LEAVE THE GLASS ON HARD SURFACES AND AVOID CONTACT BETWEEN THE GLASS EDGES AND HARD SURFACES OR IMPACTS DURING THE INSTALLATION.

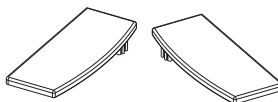


No	Description	QTY	Part No.	No.	Description	QTY	Part No.
1	Wall profile	1	M7142	6	Magnet seal	1	M7149
2	Wall profile top capL/R	2	M7144/M7145	7	Flat head screw ST4x40	5	A2403001
3	Glass Panel A	1	A	8	Wall bracket	1	M7127
4	Top support bar with glass clamp	1	M7128	9	Φ6x30 wall plug	5	B08070
5	Screw cap	1	M7012	10	Bottom strip corner clip (L&R)	2	M7150/M7151
				11	Wedge seal	1	M7143

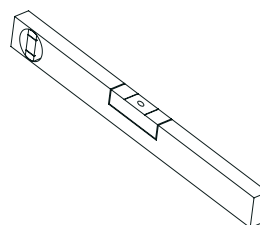
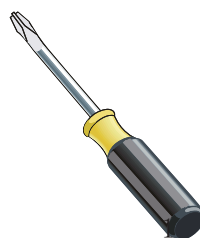
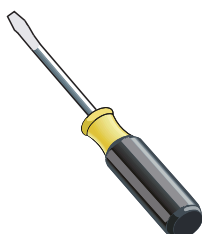
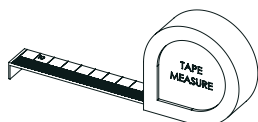
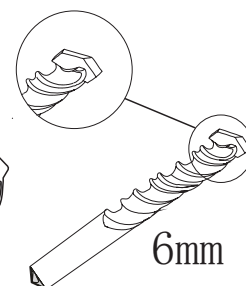
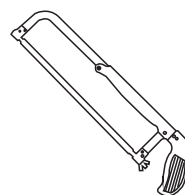
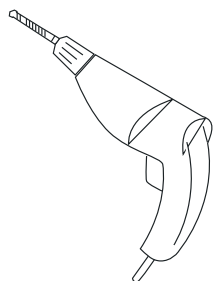
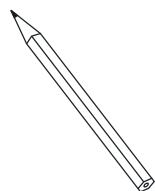
Fixing kit components



4x40mm



Tools required

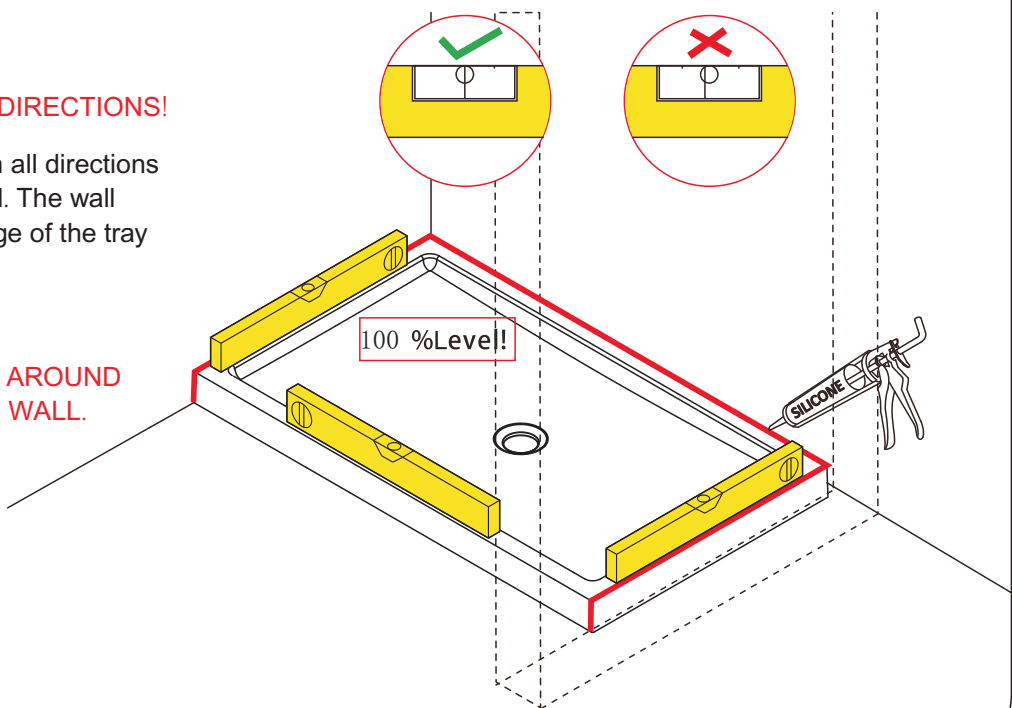


1

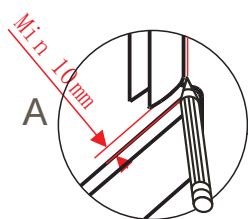
TRAY MUST BE LEVEL IN ALL DIRECTIONS!

Ensure the shower tray is level in all directions and is properly sealed to the wall. The wall must be tiled down to the top edge of the tray
Do not angle out bottom tile.

TRAY MUST BE SEALED FULLY AROUND WHERE THE TRAY MEETS THE WALL.



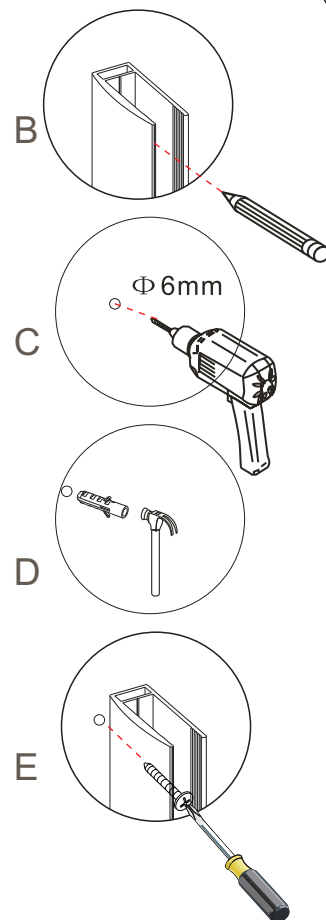
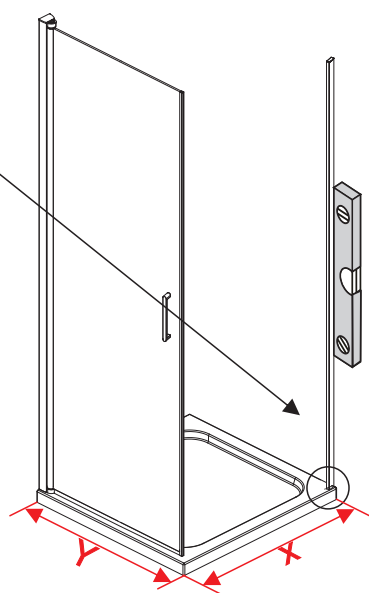
2



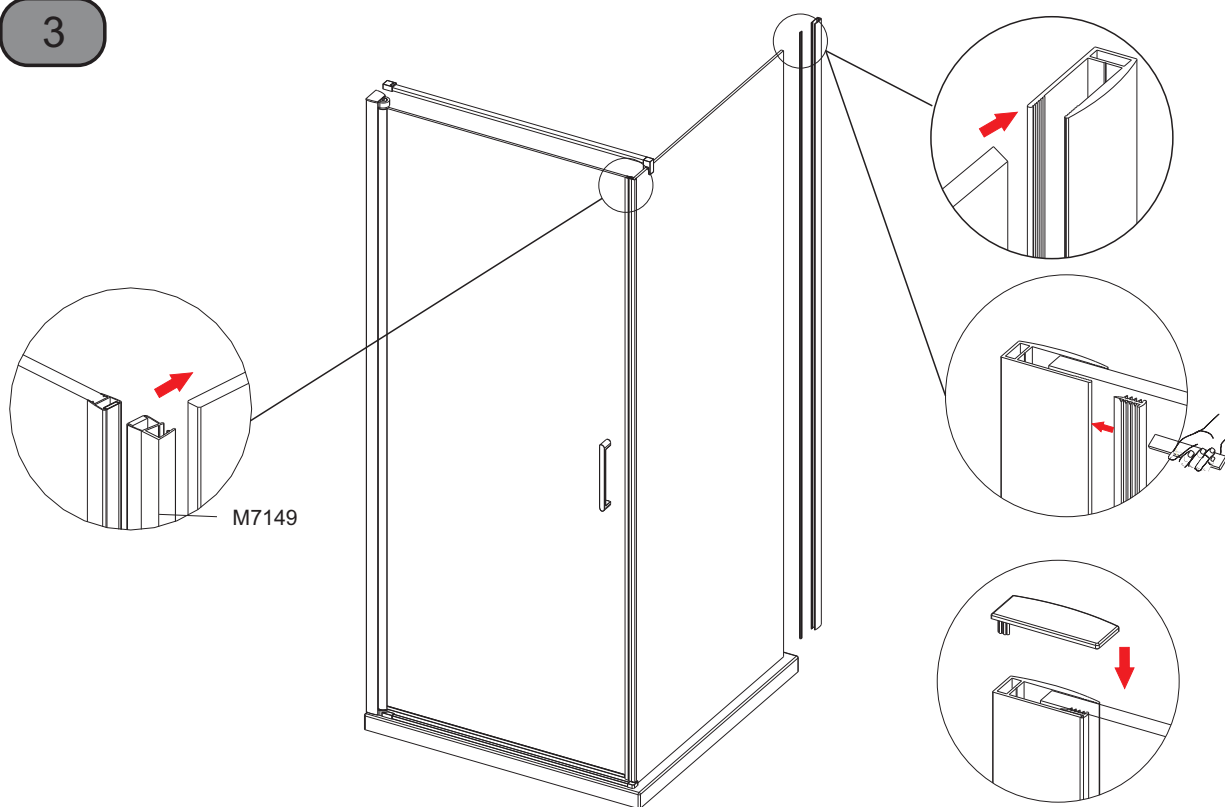
Determine distance from edge of tray to front of profile.

Pivot Door And Side Panel Adjustment

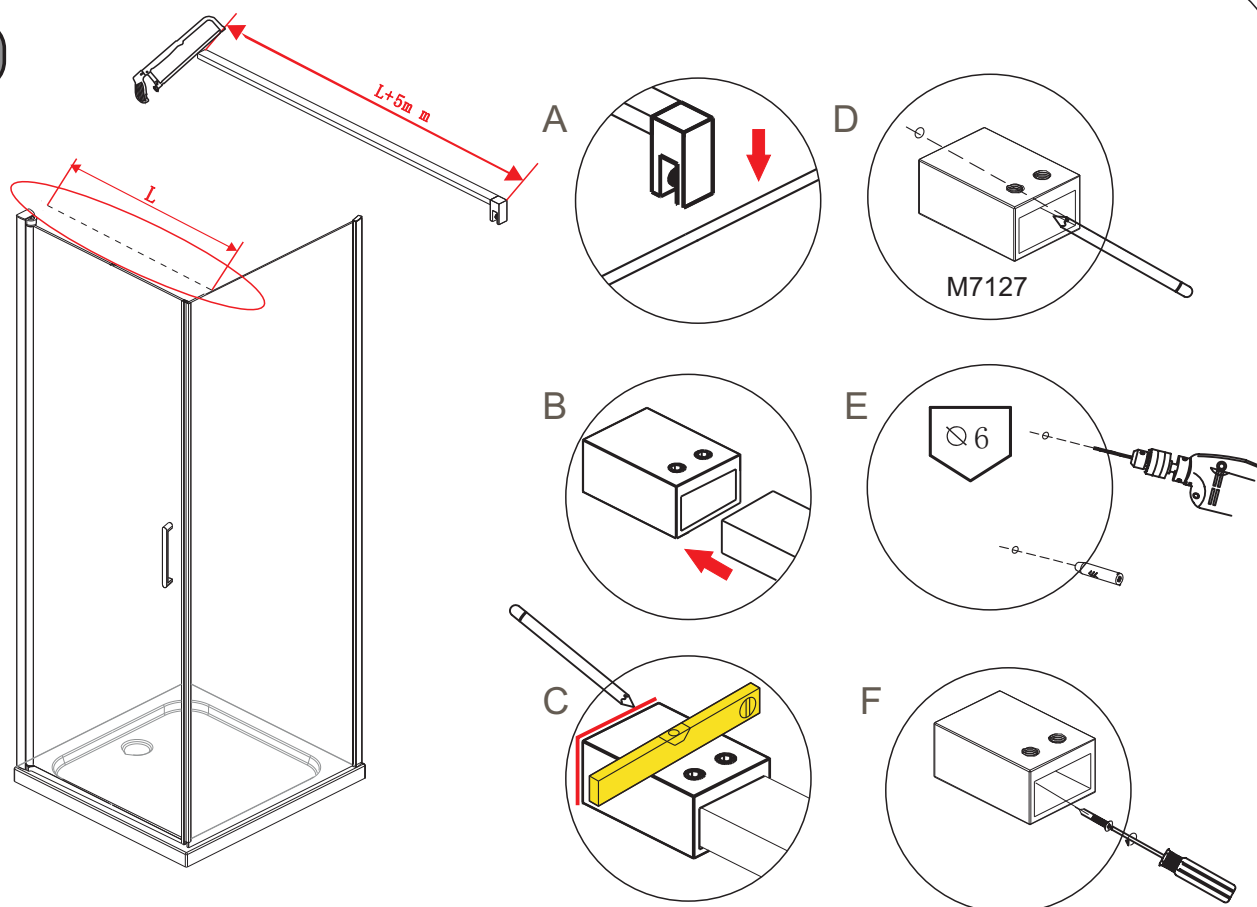
Size	Adjustment "X"	Adjustment "Y"
760	725-745	723-743
800	765-785	763-783
900	865-885	863-883
1000	965-985	963-983
1200	1165-1185	N/A



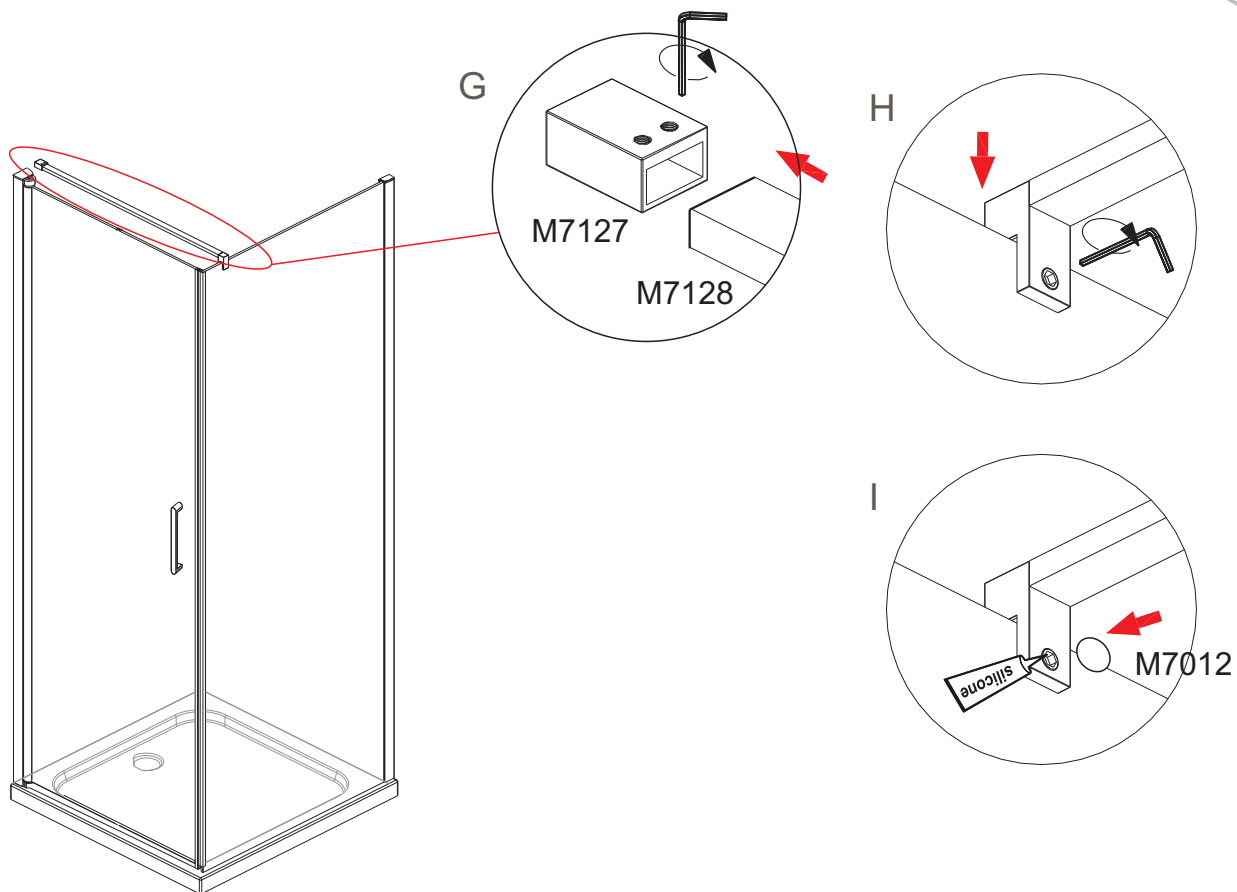
3



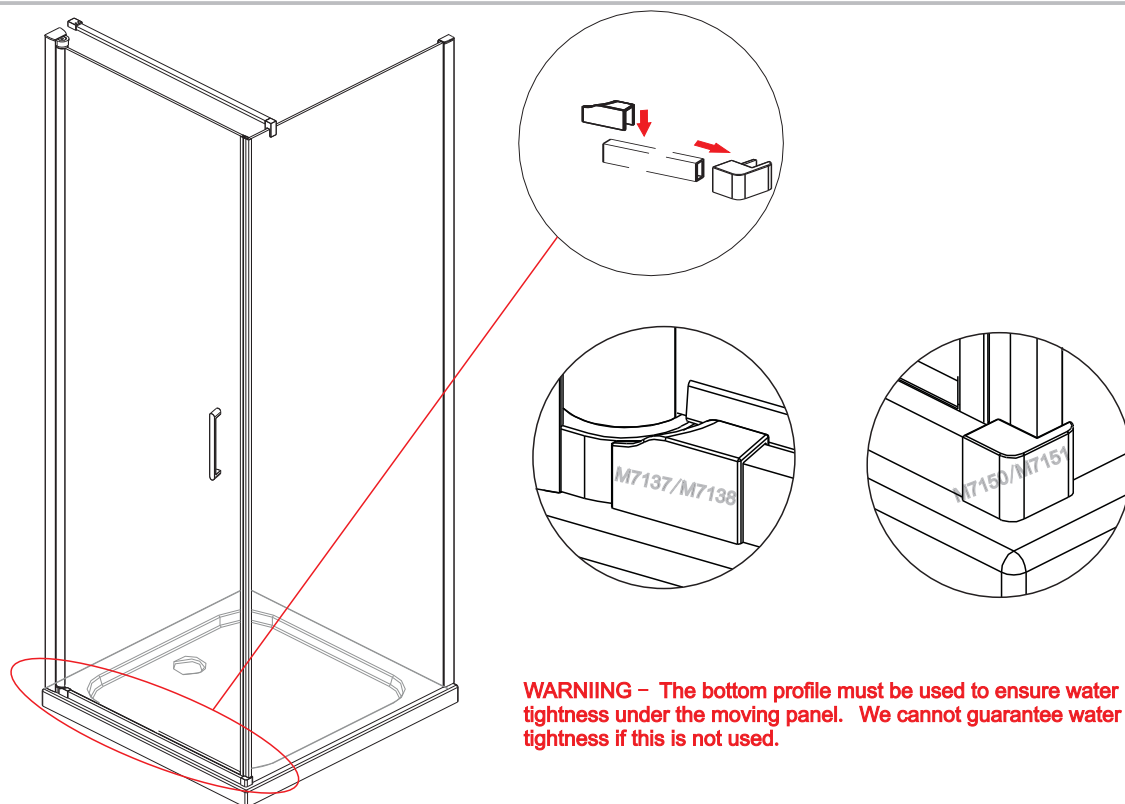
4



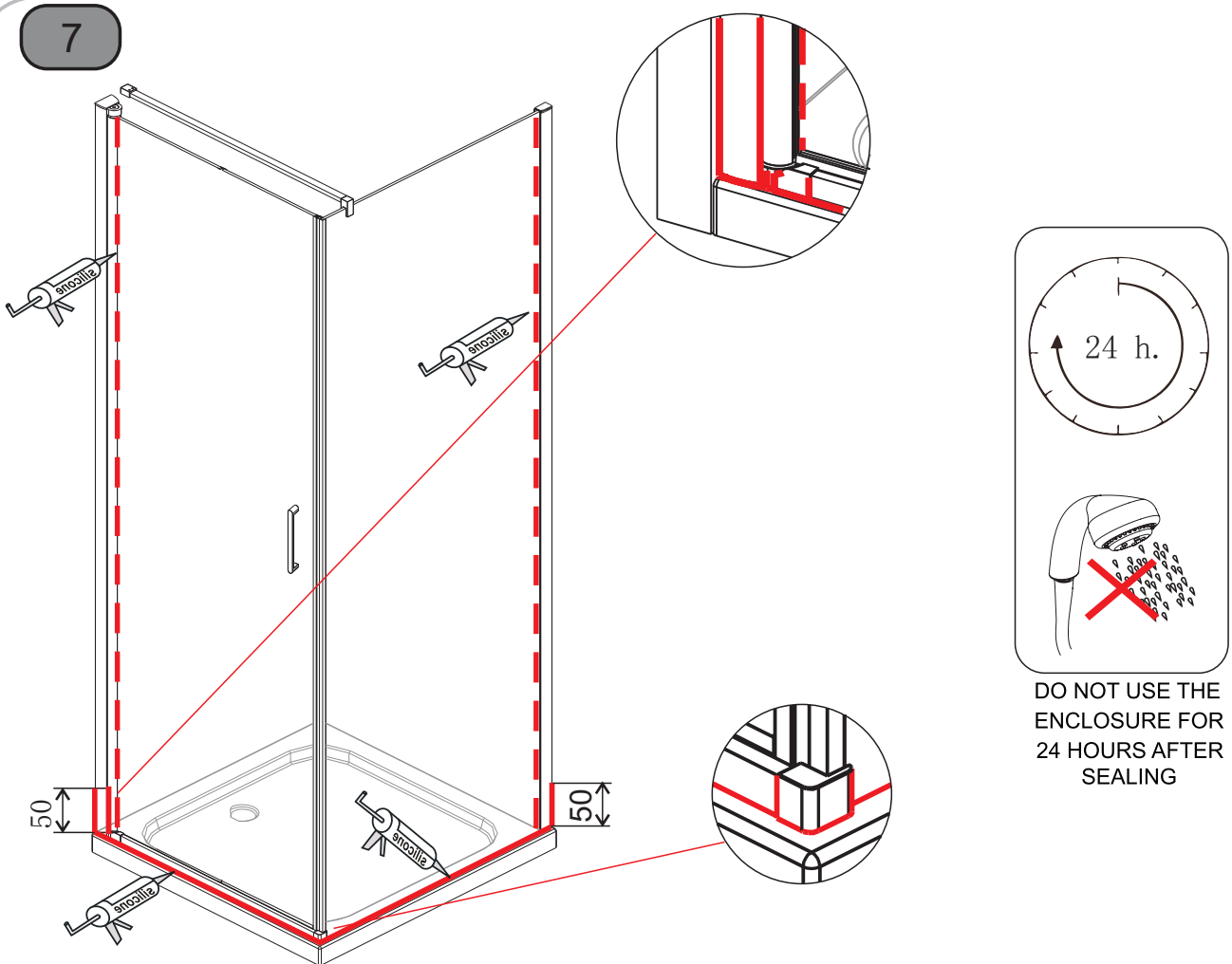
5



6



WARNING – The bottom profile must be used to ensure water tightness under the moving panel. We cannot guarantee water tightness if this is not used.



SEALING INSIDE

Seal top to bottom on the **INSIDE** between the wall profile and the wall.

Note: Do not apply sealant on the inside of the tray.

SEALING OUTSIDE

Seal only along bottom on the **OUTSIDE** between glass/rail/profile and the tray and approx 50mm up between the wall profile and the wall. Seal joint between bottom profile and upright profile.