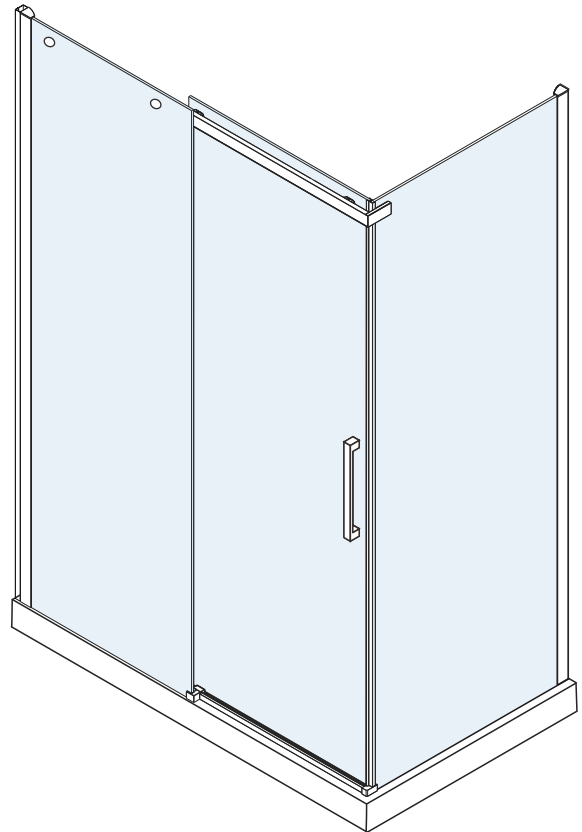


SLIDING DOOR



Page 3

SLIDING DOOR WITH SIDE PANEL



Page 15

INSTALLATION GUIDE

IMPORTANT

Thank you for choosing Merlyn. Please familiarise yourself with the fitting instructions before commencing fitting.

- 1 Check that you have the tools required
- 2 Check that the installation site is compatible
with size of door supplied
- 3 Check all the enclosure components
- 4 Check that the installation kit is complete

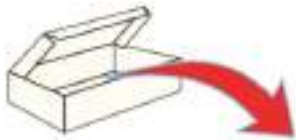
DO NOT attempt to install the product unless you can tick **ALL 4** boxes as satisfactory.

The wall plugs supplied with the installation kit are for use in solid walls. Hollow or 'stud - partition' walls will require alternative fixings. Please consult a hardware supplier for the correct type. It may also be necessary to consult your tiling supplier about the correct method for drilling your tiles.

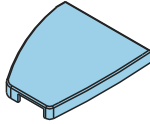
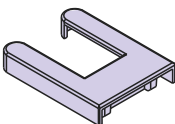
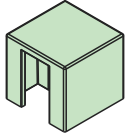
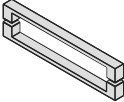
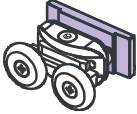
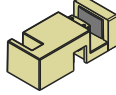
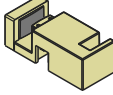
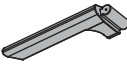




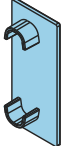
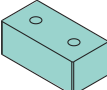
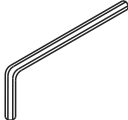

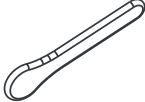
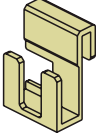
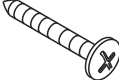

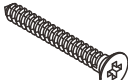


USE SAFETY EYEWEAR WHEN DRILLING

Any parts missing or damaged must be reported to your supplier within 5 days of purchase. Inspect shower enclosure before fitting. No claims will be accepted after product has been installed.

Size	Adjustment	Opening space
1200	1150-1190	465
1300	1250-1290	465
1400	1350-1390	565
1500	1450-1490	565
1700	1650-1690	565

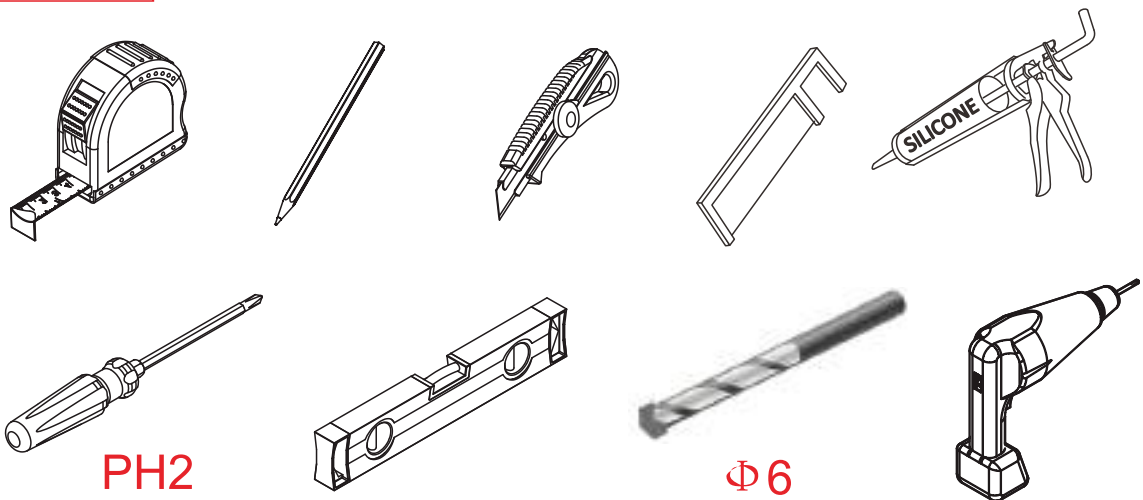


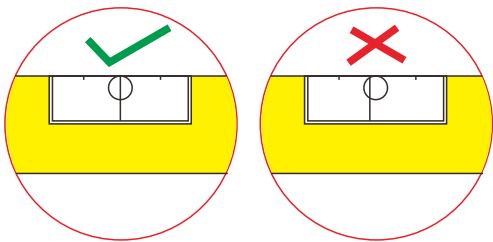
Fixing Kit

 A01S0141B R ×1	 A01S0141B L ×1	 A01S0142B ×1	 A01S0136B ×1			
 A01S0126B ×1	 A01S0125B ×2	 A01S0134B R ×1	 A01S0261B L ×1	 A01S0135B ×1		
 A01S0139 ×1	 A01S0138B ×1	 A01S0140B ×1	 A01S0412 ×2	 A01S0234B ×2	 A01S0233B ×2	 A01S0137B ×1
 A01S0146B ×1	 4mm A01S0149 ×1	 2.5mm 8S1300511 ×1	 A01S0167B ×1	 A09S0052 ×1		
 A01S0405 ×1	 4x30 8S410044 ×8	 4x9 A01S0156 ×1	 4x50 A01S0158 ×2	 6x15 A01S0404 ×2	 8SSJ066 ×10	



Tools required

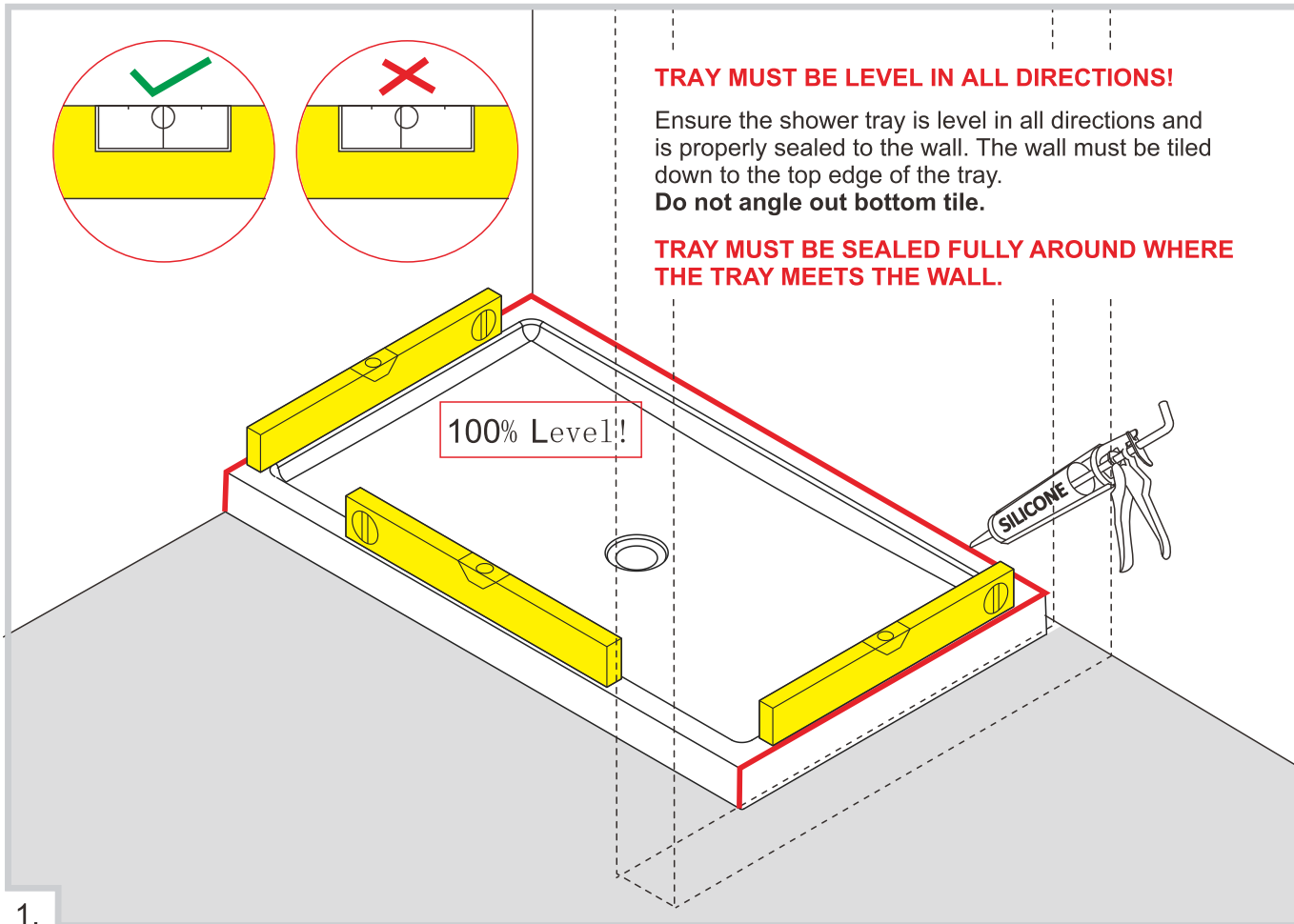




TRAY MUST BE LEVEL IN ALL DIRECTIONS!

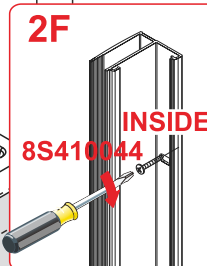
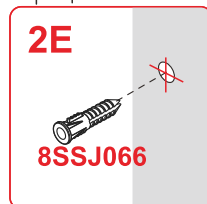
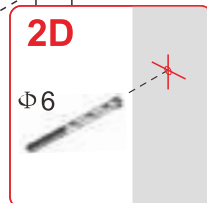
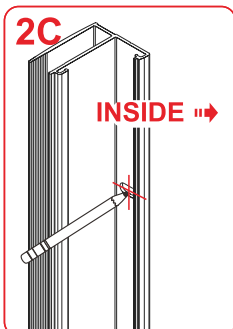
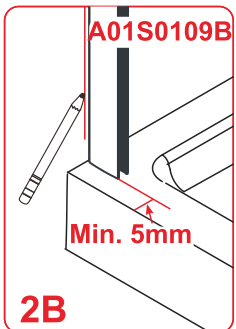
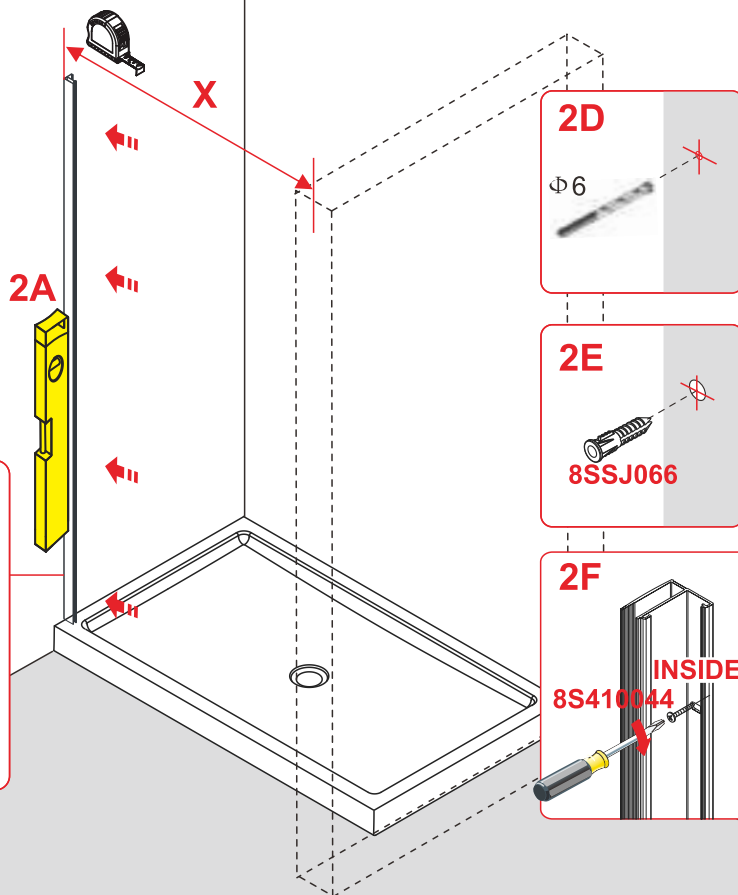
Ensure the shower tray is level in all directions and is properly sealed to the wall. The wall must be tiled down to the top edge of the tray.
Do not angle out bottom tile.

TRAY MUST BE SEALED FULLY AROUND WHERE THE TRAY MEETS THE WALL.



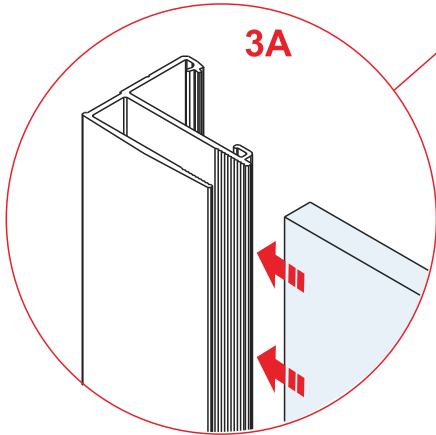
1.

Size	X
1200	1150-1190
1300	1250-1290
1400	1350-1390
1500	1450-1490
1700	1650-1690

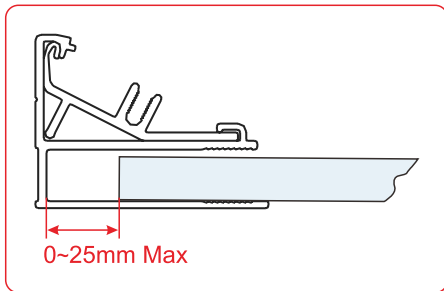


2.

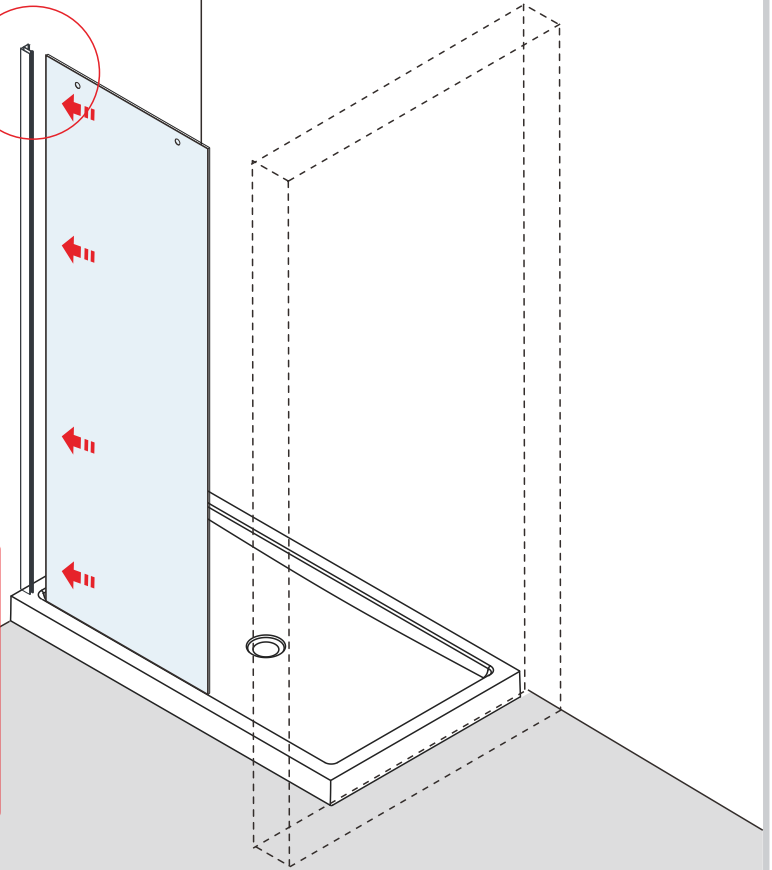
Fit the fixed panel into the wall profile



3A

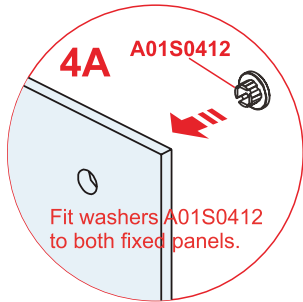


0~25mm Max



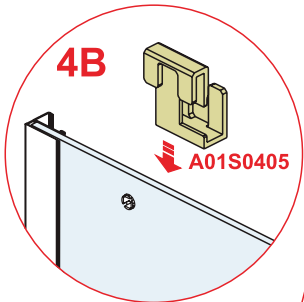
3.

Fit installation tool to the inside nearest the wall.



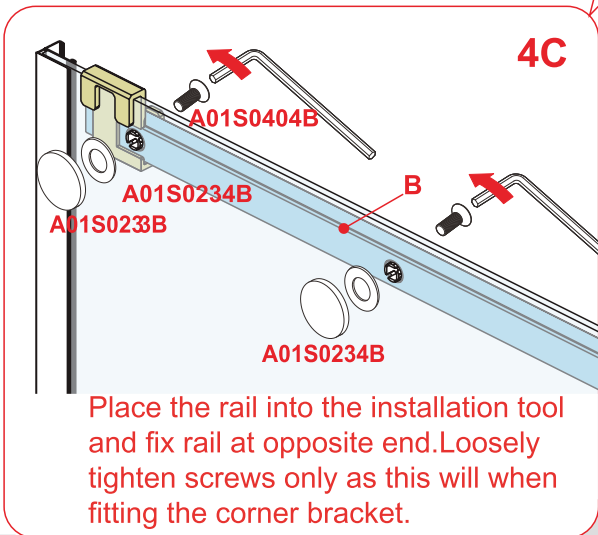
4A A01S0412

Fit washers A01S0412 to both fixed panels.



4B

A01S0405



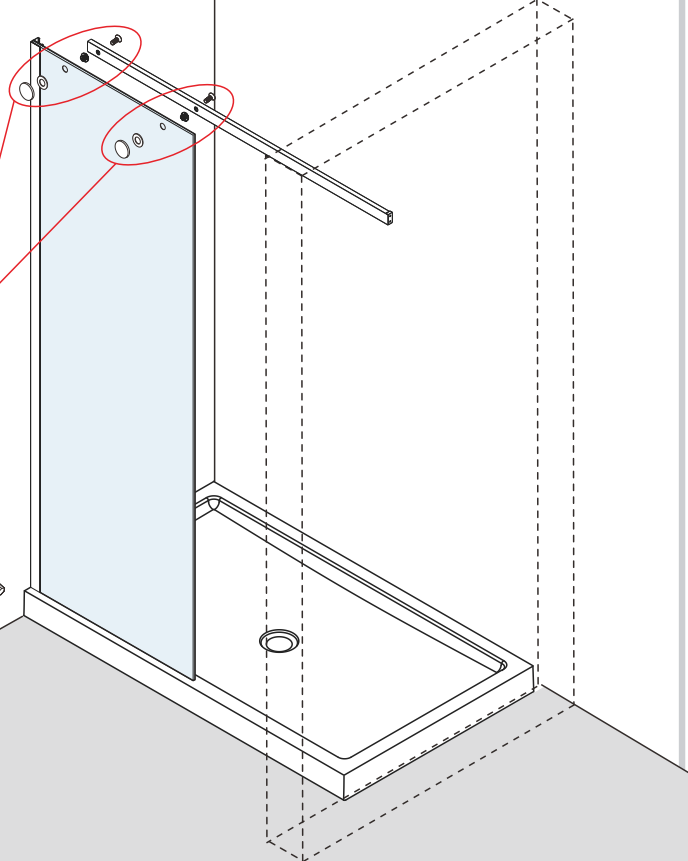
4C

A01S0404B

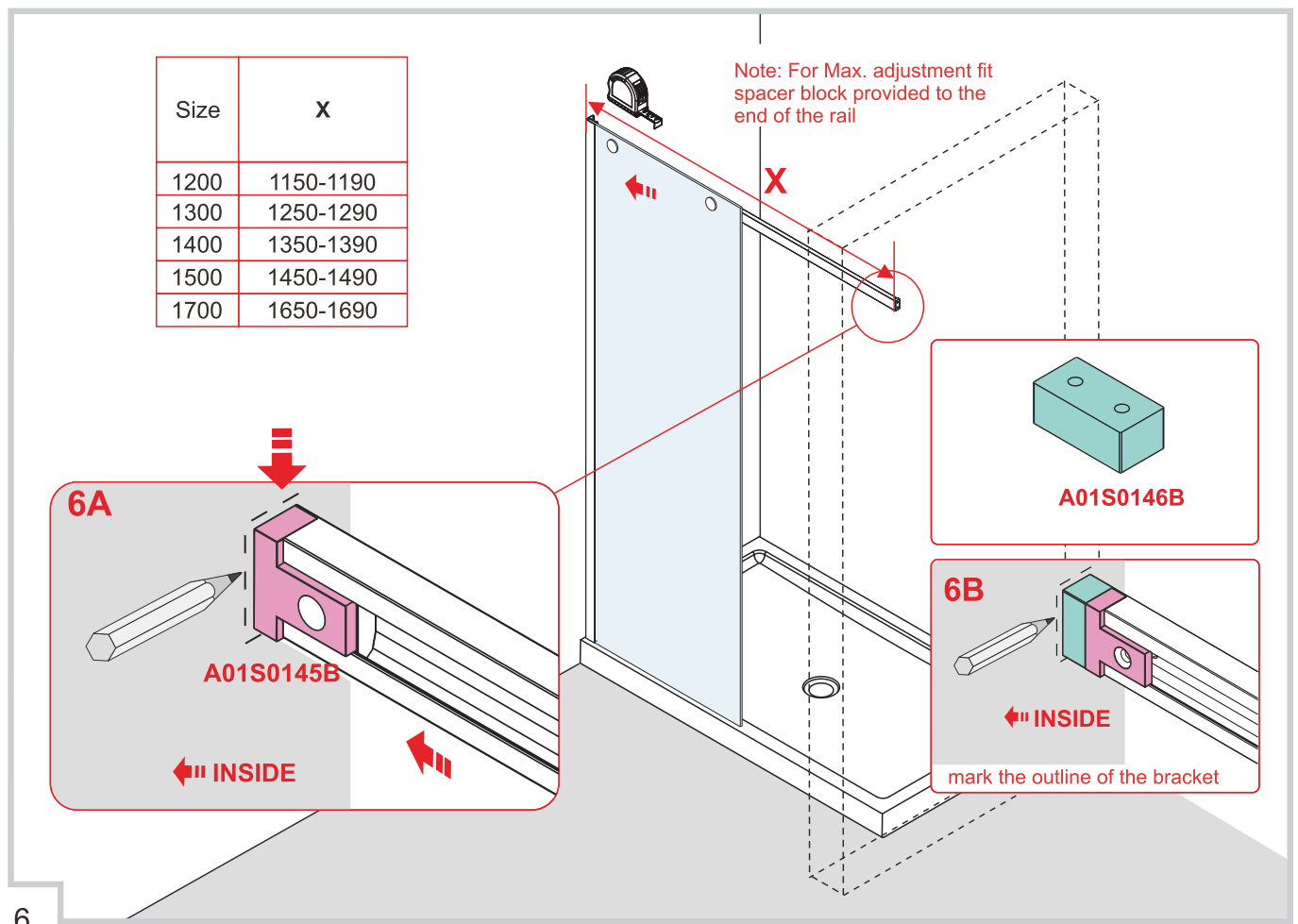
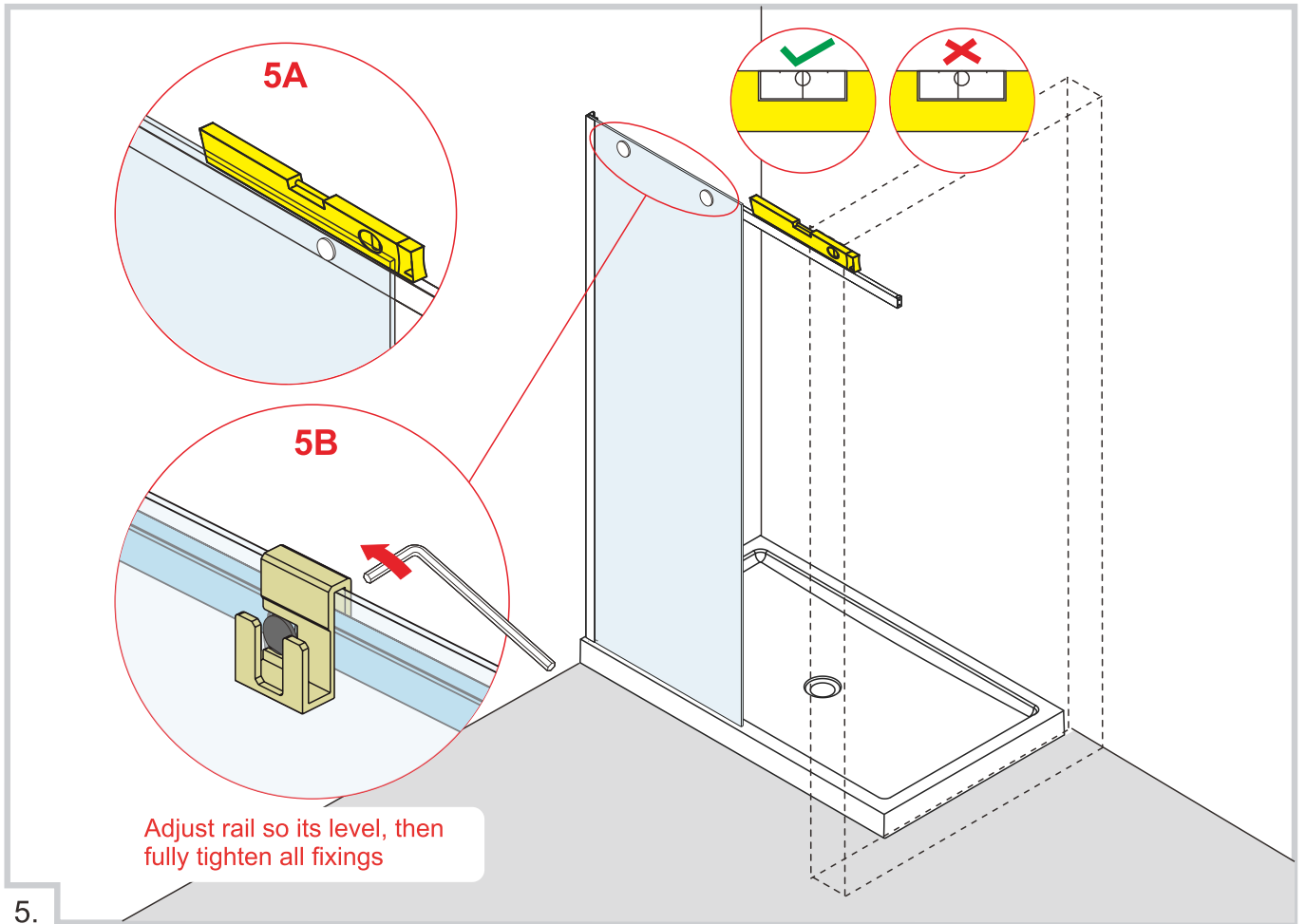
A01S0234B
A01S0233B

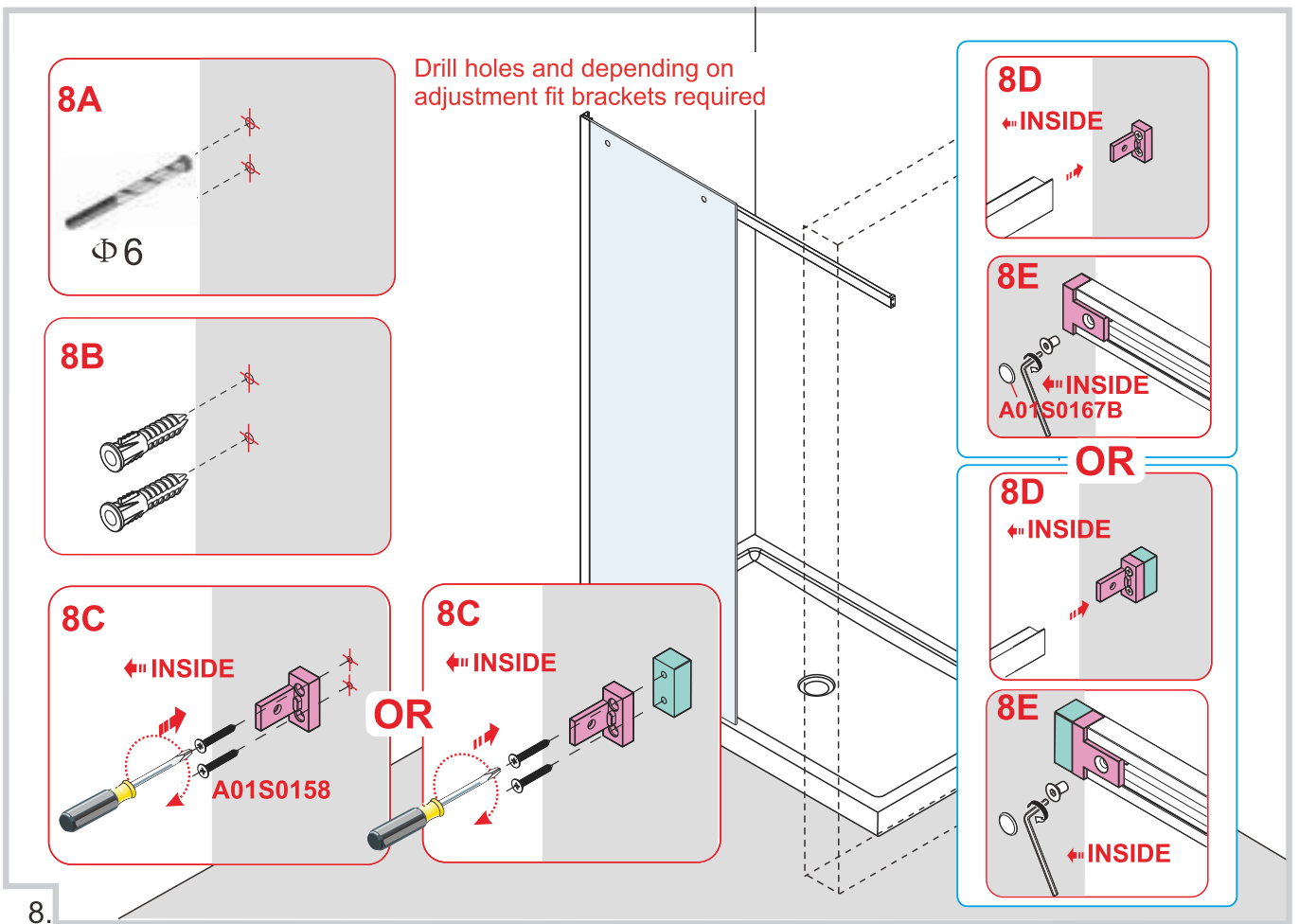
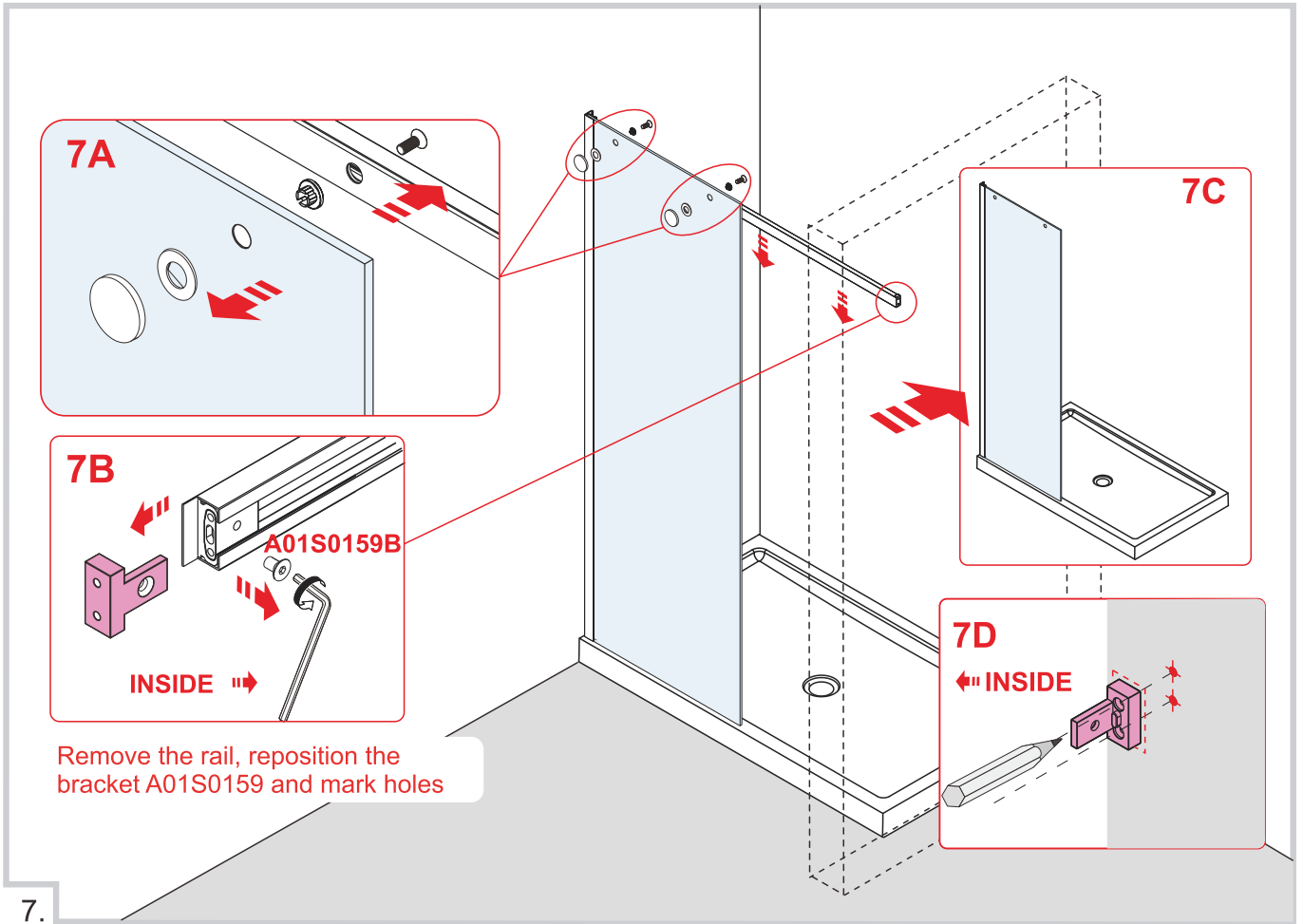
A01S0234B

Place the rail into the installation tool and fix rail at opposite end. Loosely tighten screws only as this will when fitting the corner bracket.

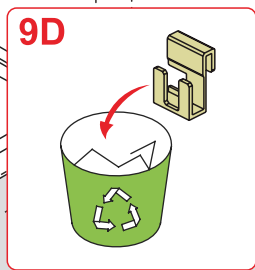
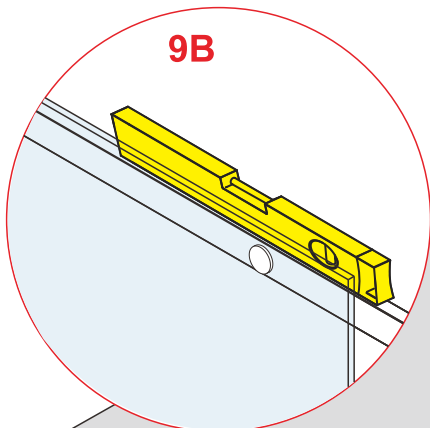
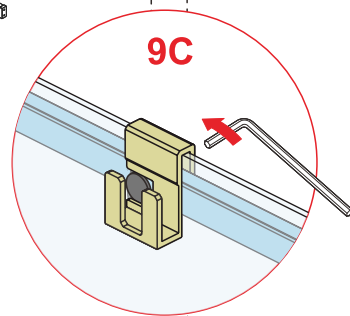
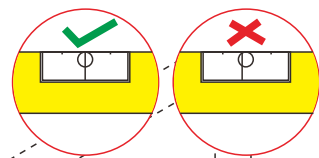
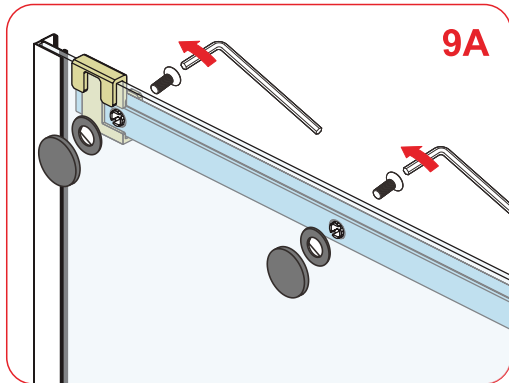


4.

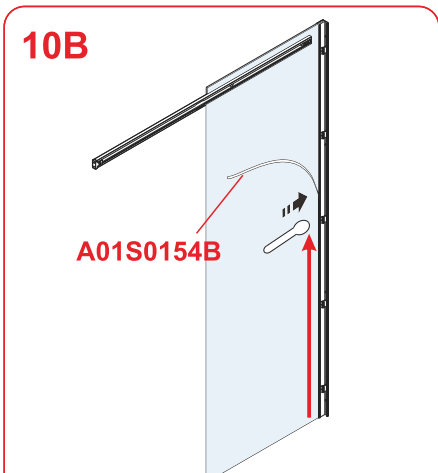
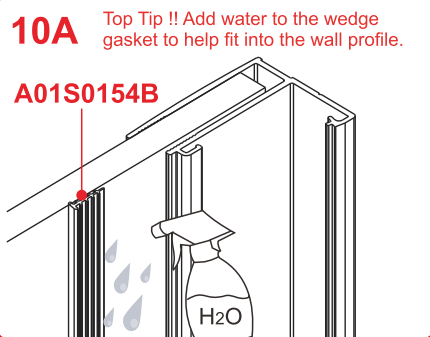




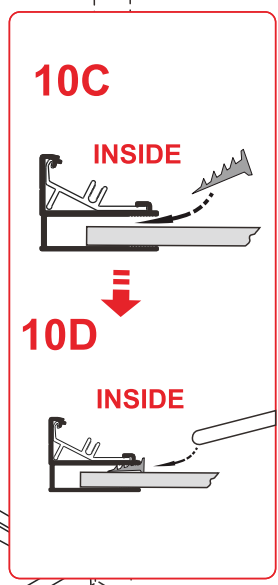
Fit the rail, level and fully tighten.
Use installation tool to align the fixing plates.



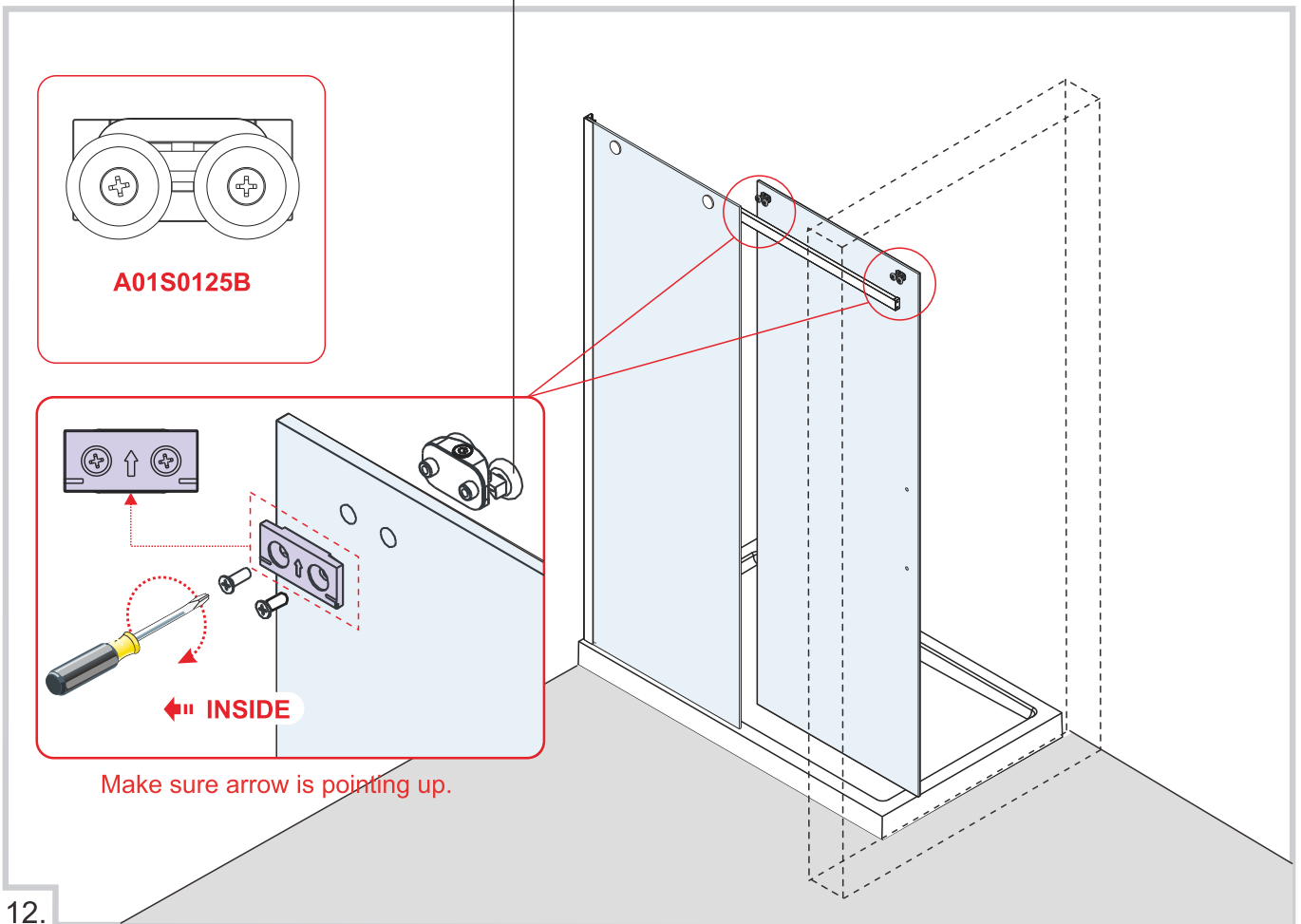
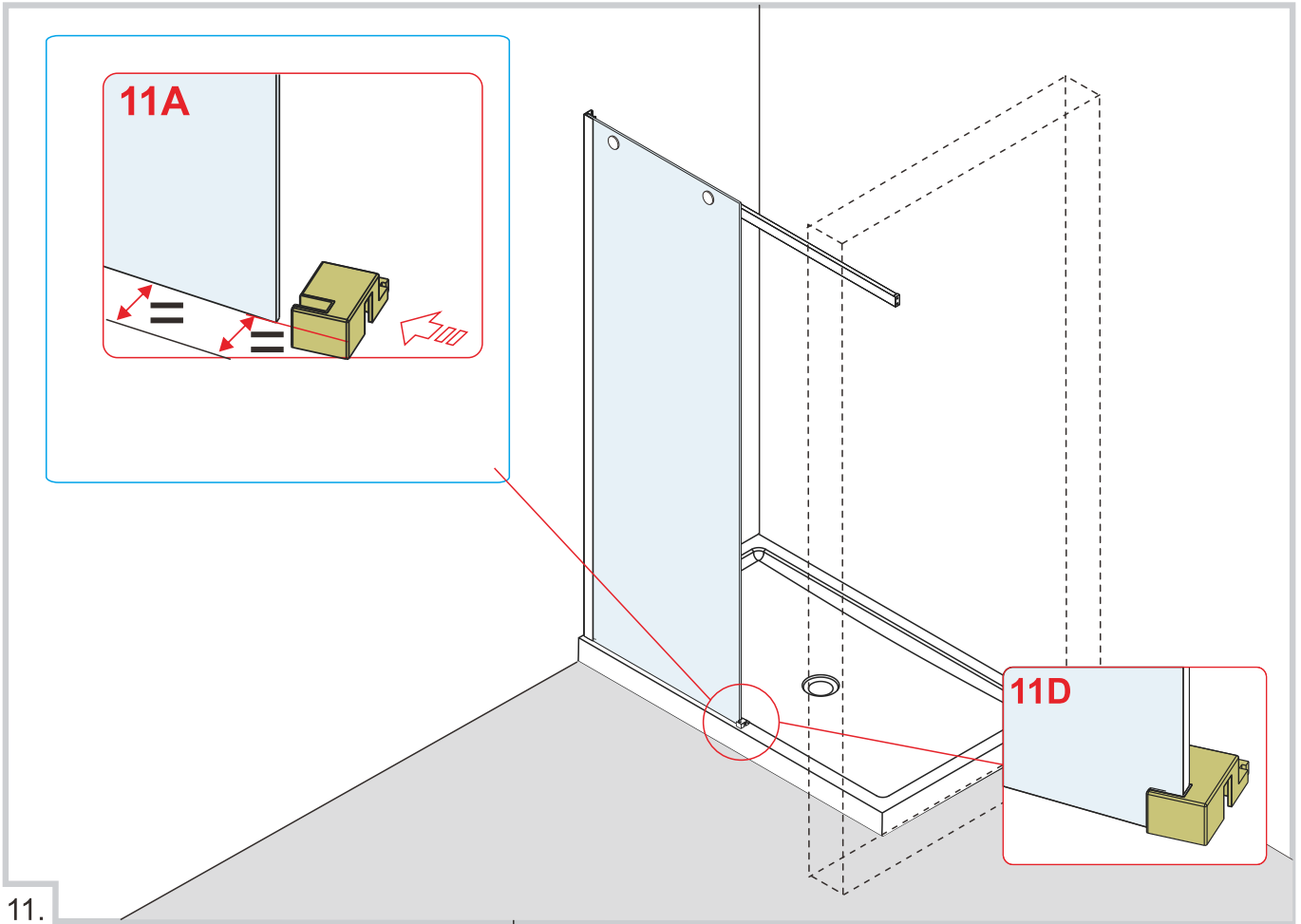
9.

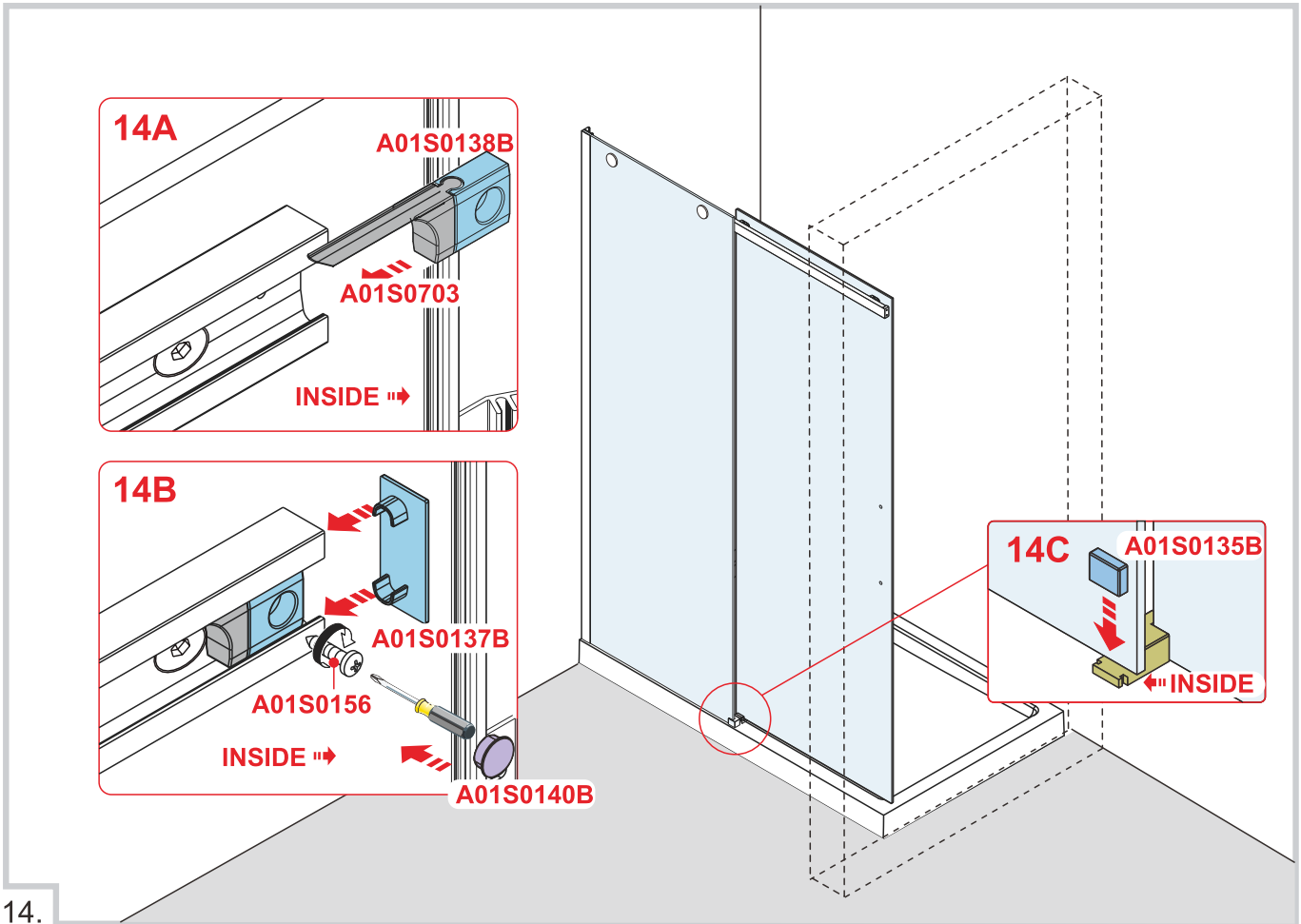
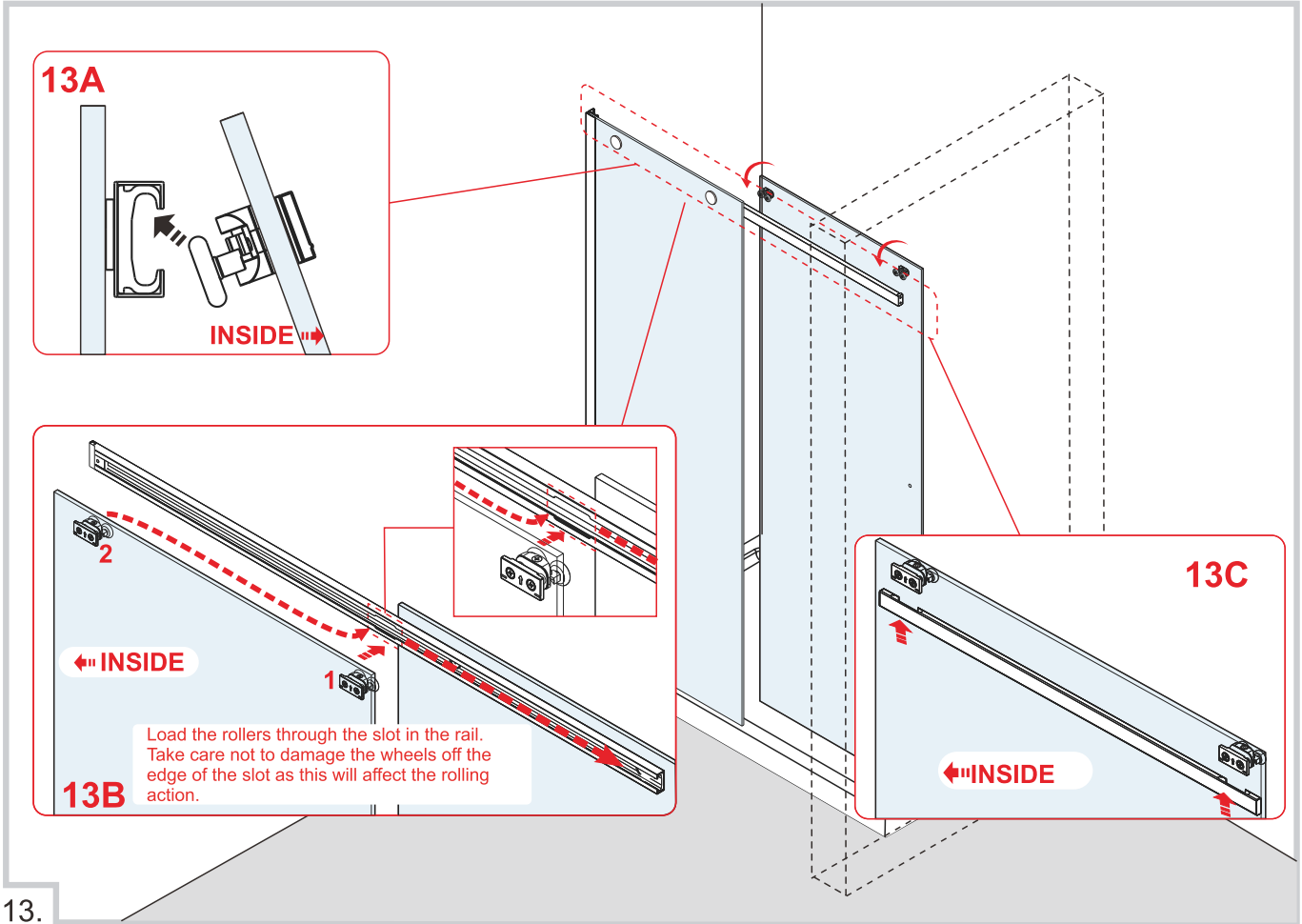


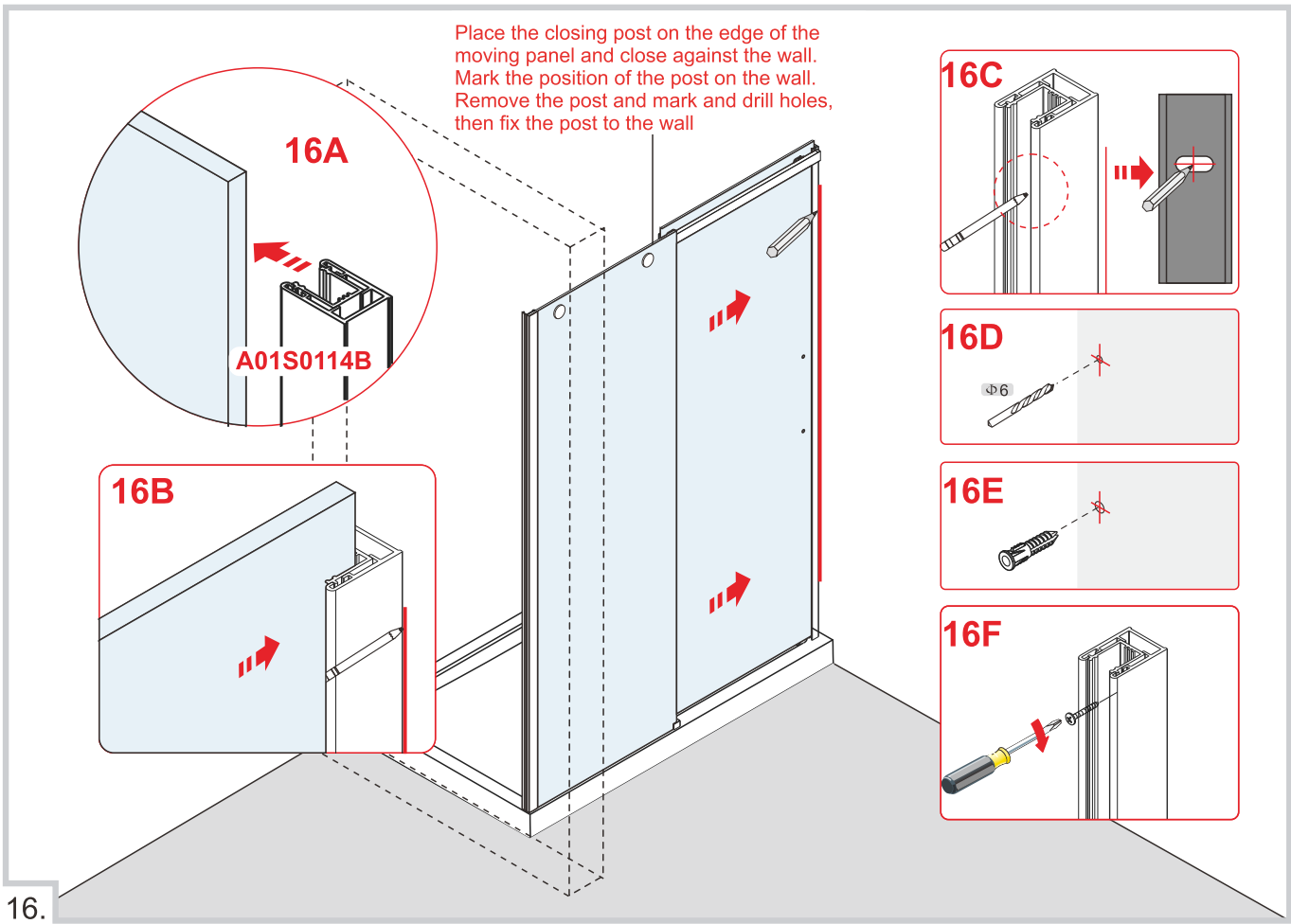
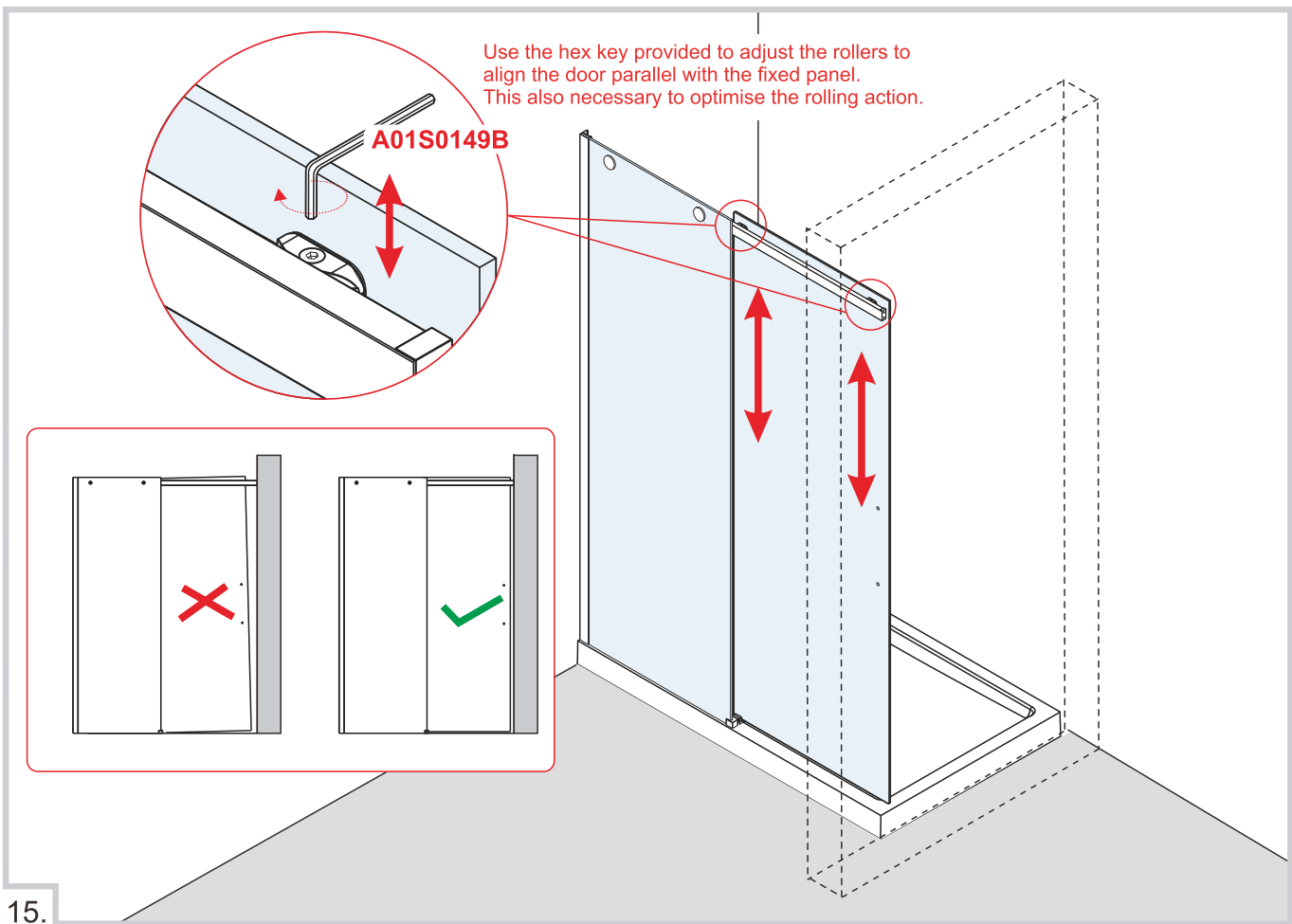
Make sure to start at the bottom and work upwards using tool provided.

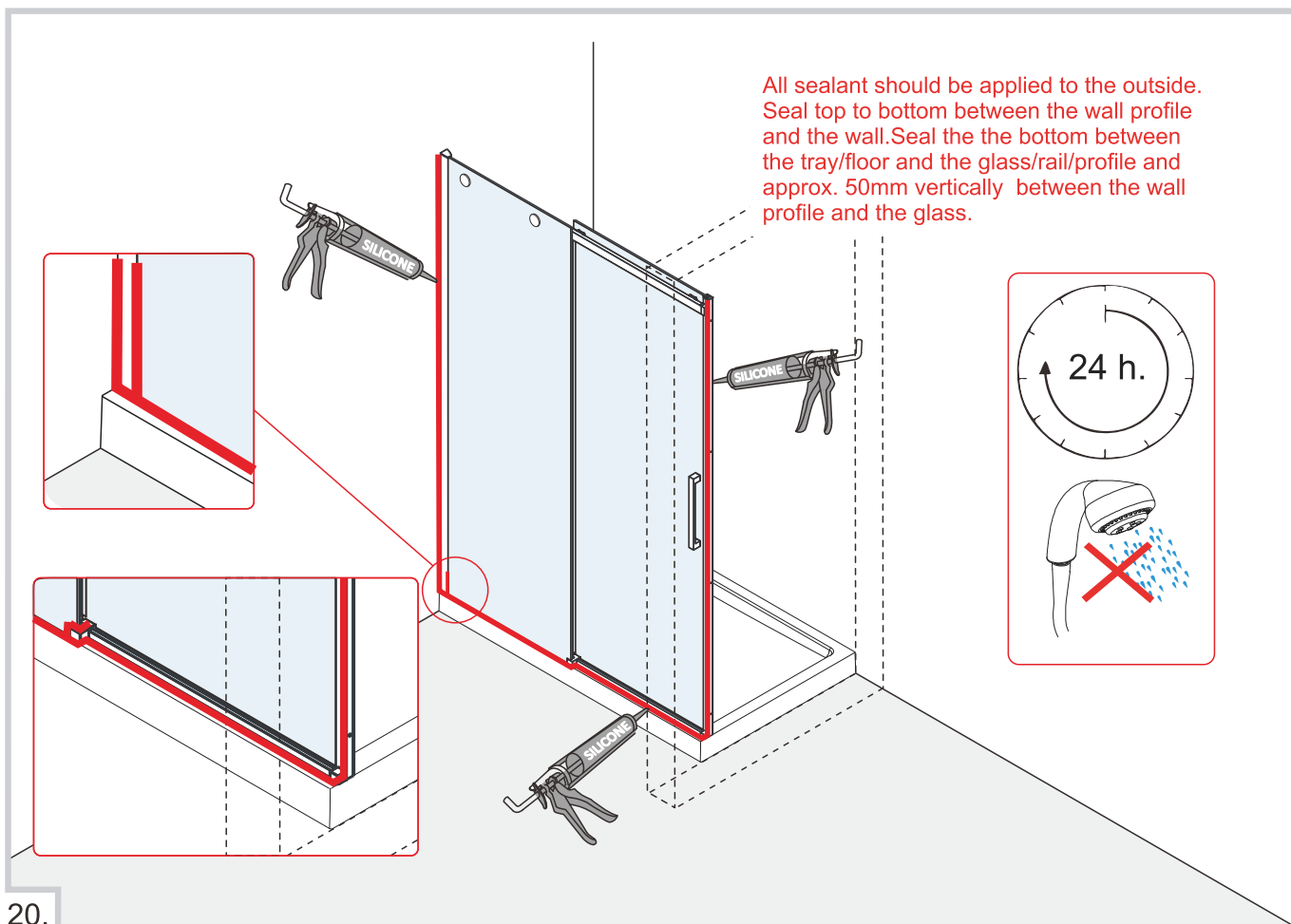
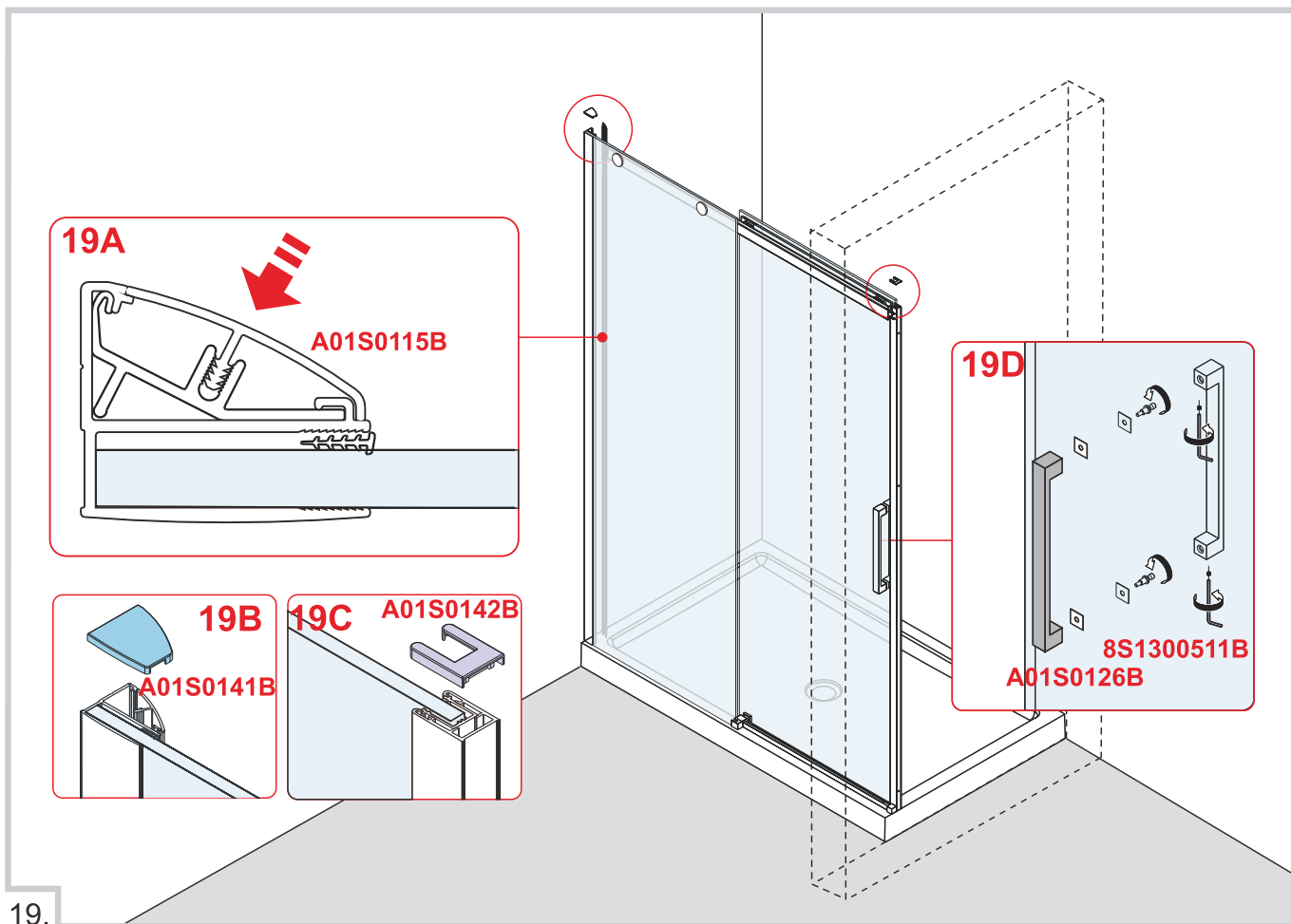


10.









IMPORTANT

Thank you for choosing Merlyn. Please familiarise yourself with the fitting instructions before commencing fitting.

- 1 Check that you have the tools required
- 2 Check that the installation site is compatible
with size of door supplied
- 3 Check all the enclosure components
- 4 Check that the installation kit is complete

DO NOT attempt to install the product unless you can tick **ALL 4** boxes as satisfactory.

The wall plugs supplied with the installation kit are for use in solid walls. Hollow or 'stud - partition' walls will require alternative fixings. Please consult a hardware supplier for the correct type.

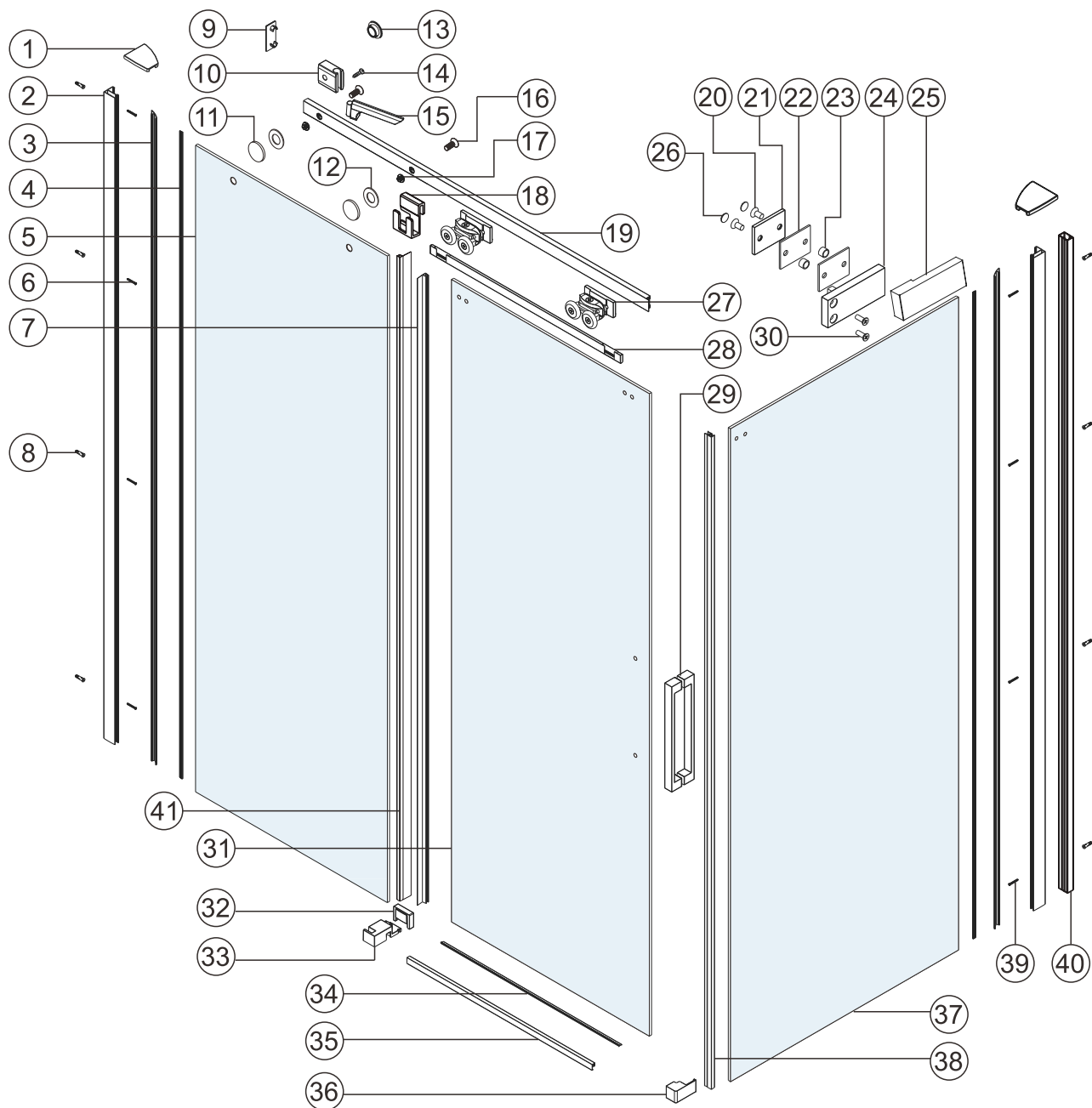
It may also be necessary to consult your tiling supplier about the correct method for drilling your tiles.

USE SAFETY EYEWEAR WHEN DRILLING

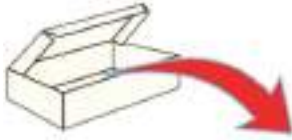
Any parts missing or damaged must be reported to your supplier within 5 days of purchase. Inspect shower enclosure before fitting. No claims will be accepted after product has been installed.

Size	Adjustment	Opening space
800	760-785	NA
900	860-885	NA

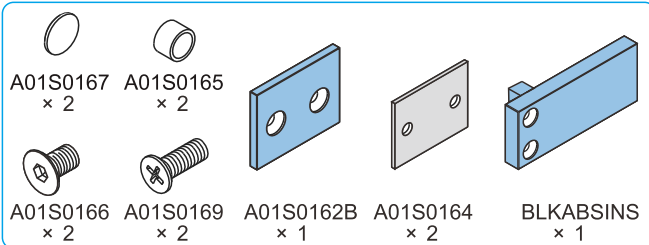
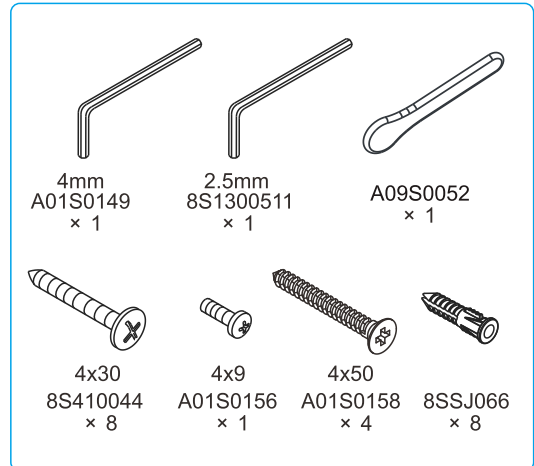
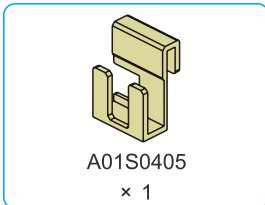
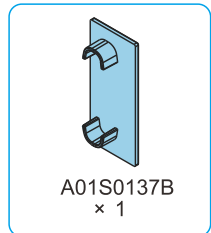
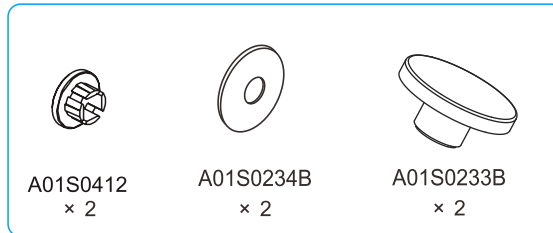
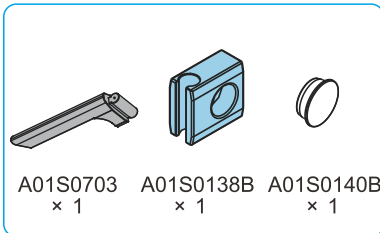
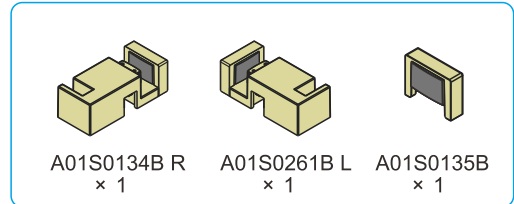
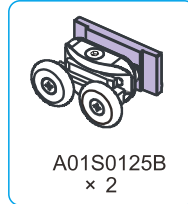
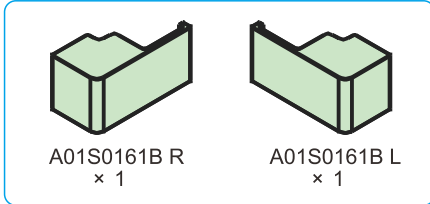
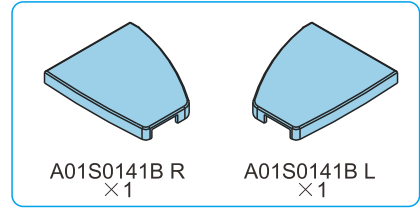
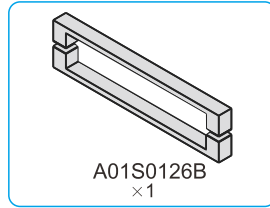
Size	Adjustment	Opening space
1200	1140-1185	450
1300	1240-1285	450
1400	1340-1385	550
1500	1440-1485	550
1700	1640-1685	550



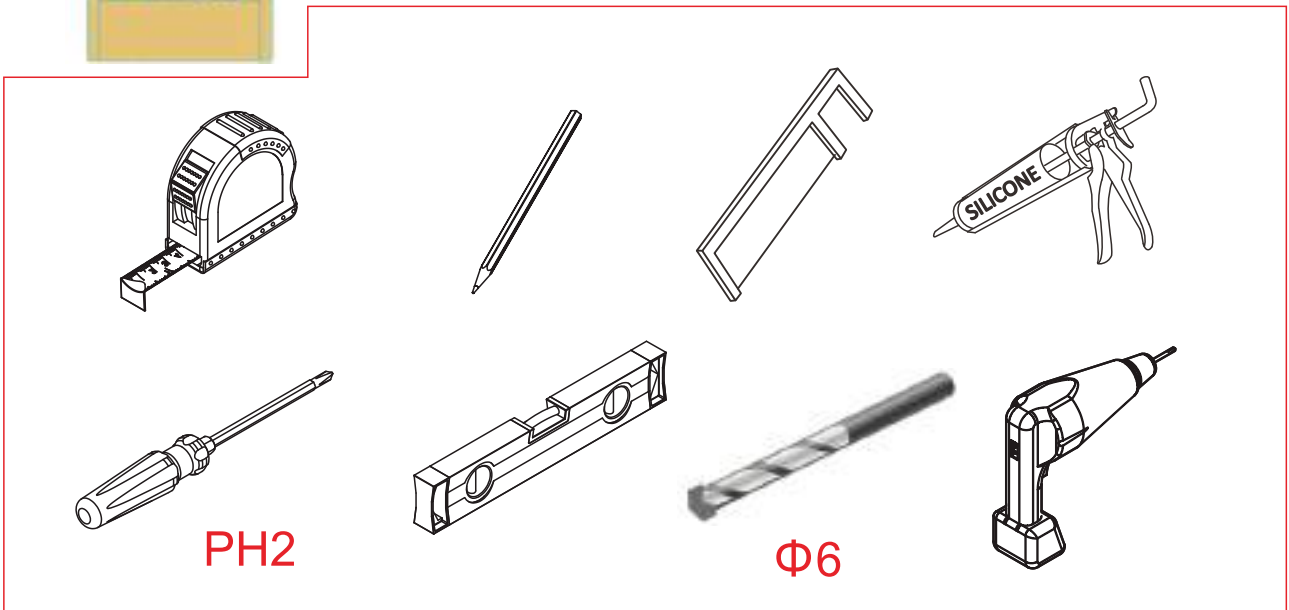
No.	Qty	Description	Part No.	No.	Qty	Description	Part No.	No.	Qty	Description	Part No.
①	1	Cover cap	A01S0141B	⑭	1	Roller stop screw	A01S0156	⑳	2	M6 x 20 screw	A01S0166
②	2	Wall profile	A01S0109B	⑮	1	Roller stop	A01S0703	㉑	1	Fixing plate inside	A01S0162B
③	2	Cover strip	A01S0115B	⑯	2	Rail fixing screw	A01S0404B	㉒	2	plate washer	A01S0164
④	2	Wedge gasket	A01S0154B	⑰	2	Rail fixing washer	A01S0412	㉓	2	Screw washer	A01S0165
⑤	1	A	A	⑱	1	Rail installation tool	A01S0405	㉔	1	Fixing plate outside	BLKABSINS
⑥	8	Screw 4x30	8S410044	㉒	2	M6 x 20 screw	A01S0166	㉕	1	Cover plate	BLKABSCAP
⑦	1	Moving panel upright seal	A01S0151B	㉓	2	M6 x 20 screw	A01S0166	㉖	2	Cover plate	A01S0167B
⑧	8	Wall plug	8SSJ066	㉔	1	Fixing plate inside	A01S0162B	㉗	2	Cover plate	A01S0167B
⑨	1	Rail cap	A01S0137B	㉕	2	plate washer	A01S0164	㉘	2	Roller	A01S0125B
⑩	1	Roller stop frame	A01S0138B	㉖	2	M6 x 20 screw	A01S0166	㉙	1	Handle	A01S0126B
⑪	2	Rail fixing branded	A01S0233B	㉗	1	Rail installation tool	A01S0405	㉚	2	M5 x 18 screw	A01S0169
⑫	2	Rail fixing washer	A01S0234B	㉘	1	Rail installation tool	A01S0405	㉛	1	D	D
⑬	1	Roller stop cap	A01S0140B	㉙	1	B	B	㉜	1	Bottom guide cover cap	A01S0135B
				㉚	1	B	B	㉝	1	Bottom guide	A01S0261B A01S0134B
				㉛	1	B	B	㉞	1	Bottom seal	A01S0152B
				㉜	1	Luna rail	A01S0119B	㉟	1	Side panel foot plate	A01S0161B
				㉝	1	Side panel foot plate	A01S0161B	㊱	1	E	E
				㉞	1	E	E	㊲	1	Closing seal	A01S0169B
				㉟	1	Closing seal	A01S0169B	㊳	4	Screw 4x50	A01S0158
				㊱	4	Screw 4x50	A01S0158	㊴	1	Extension profile	BLKFSLEXT
				㊲	1	Extension profile	BLKFSLEXT	㊵	1	Fixed panel upright seal	A01S0151B
				㊳	1	Fixed panel upright seal	A01S0151B				

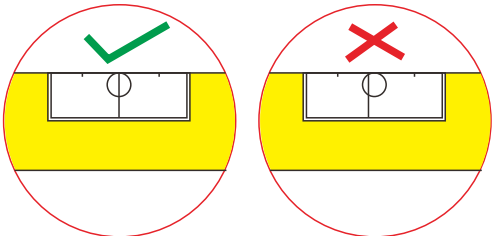


Fixing Kit



Tools required

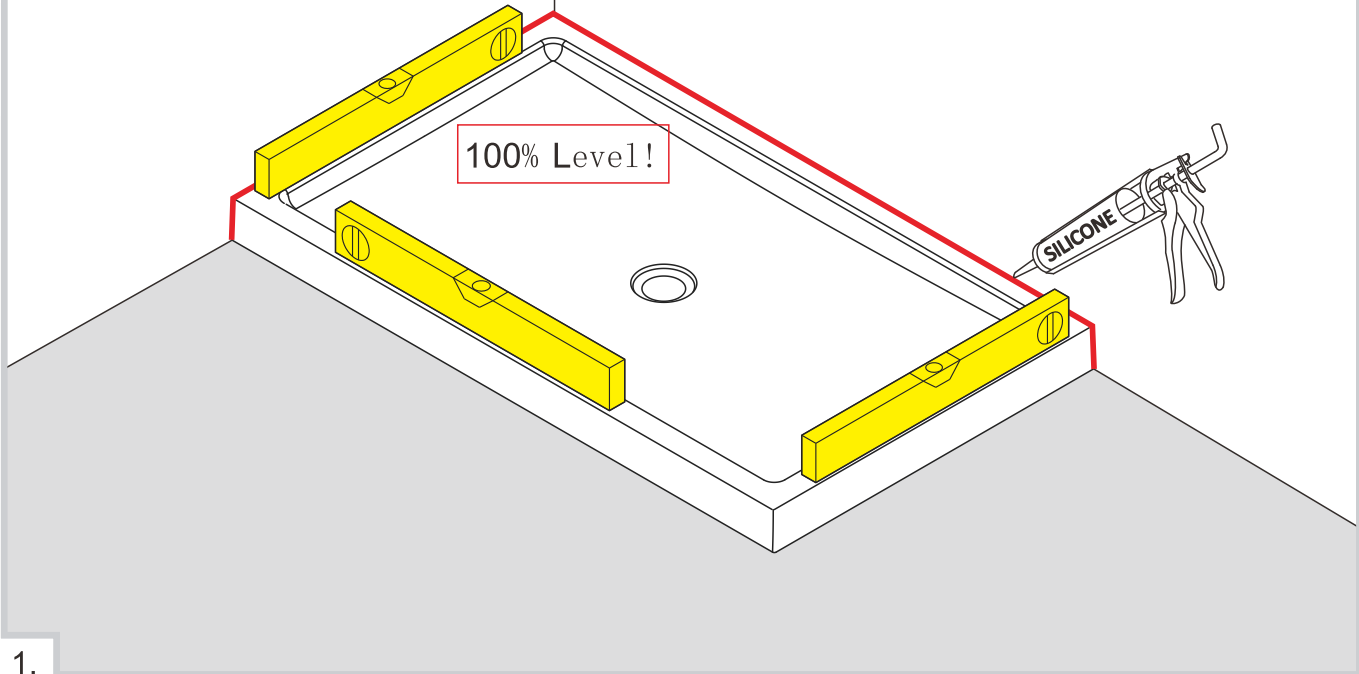




TRAY MUST BE LEVEL IN ALL DIRECTIONS!

Ensure the shower tray is level in all directions and is properly sealed to the wall. The wall must be tiled down to the top edge of the tray.
Do not angle out bottom tile.

TRAY MUST BE SEALED FULLY AROUND WHERE THE TRAY MEETS THE WALL.

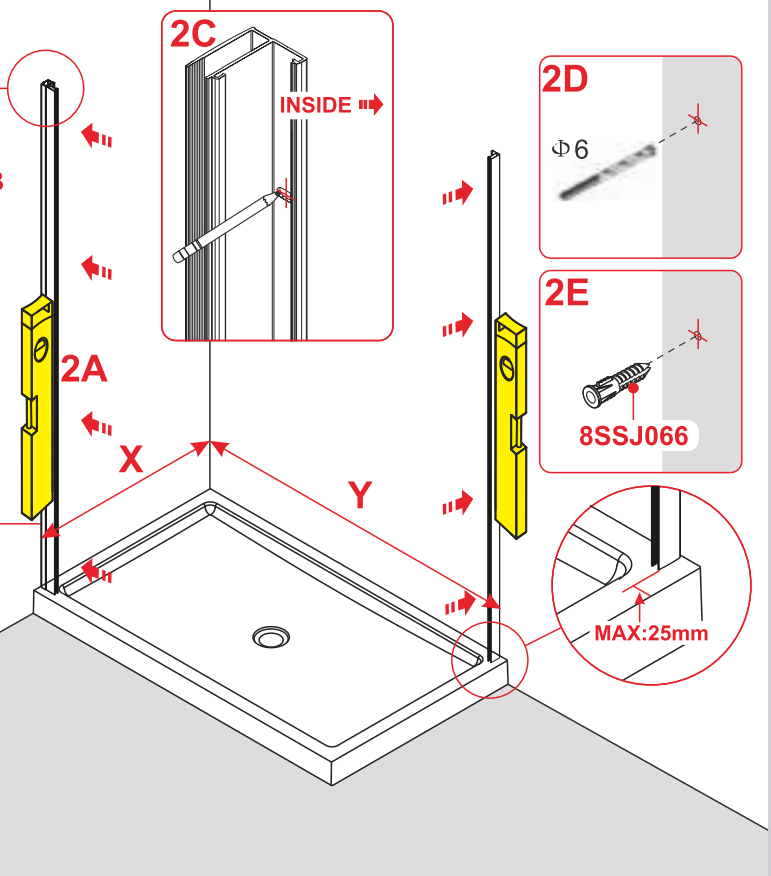
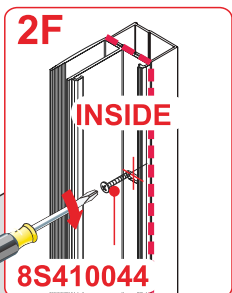
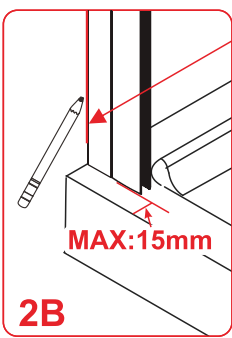
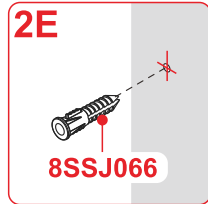
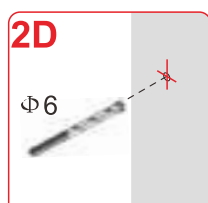
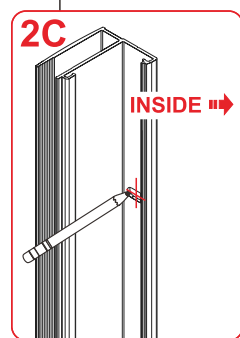


1.

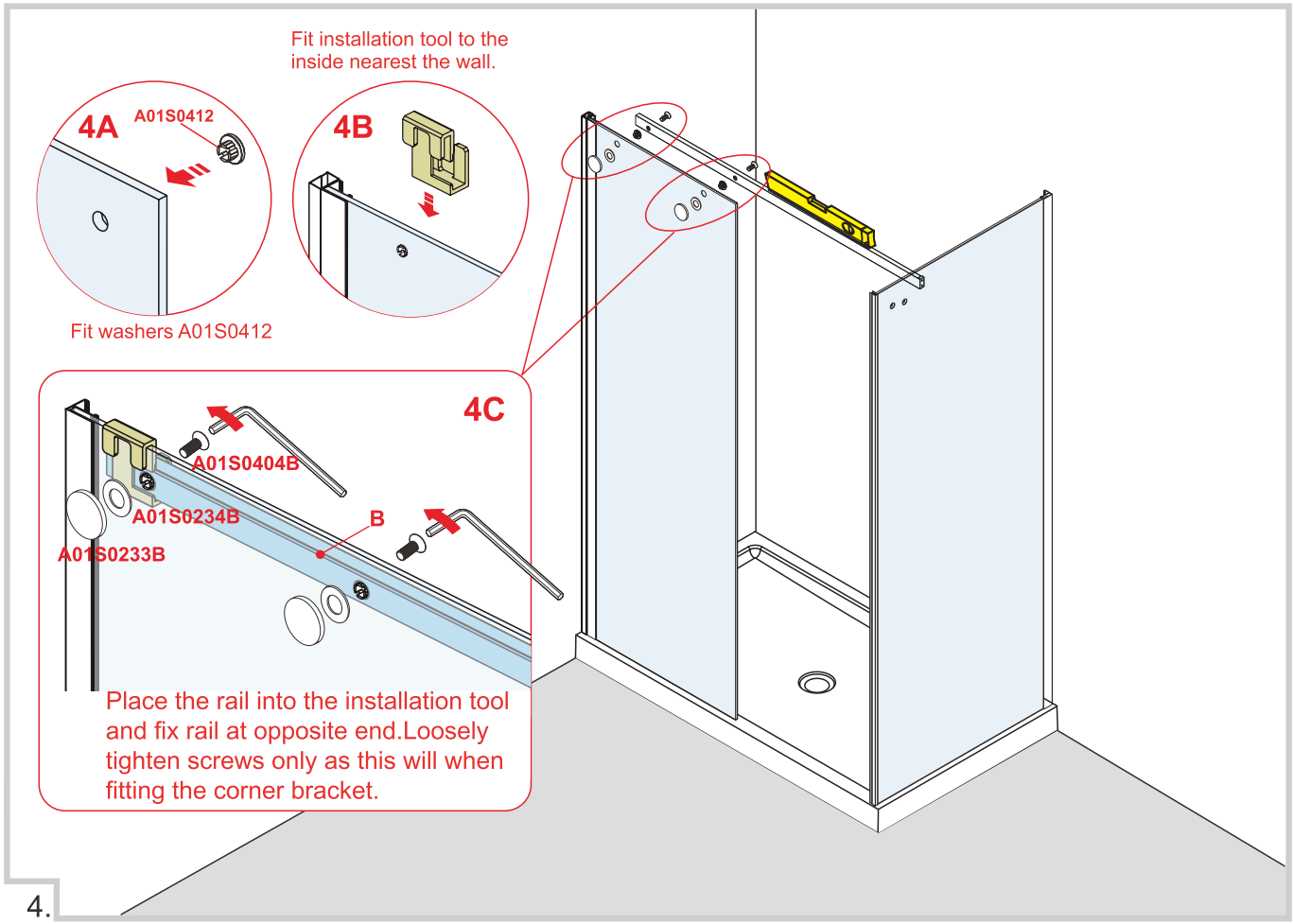
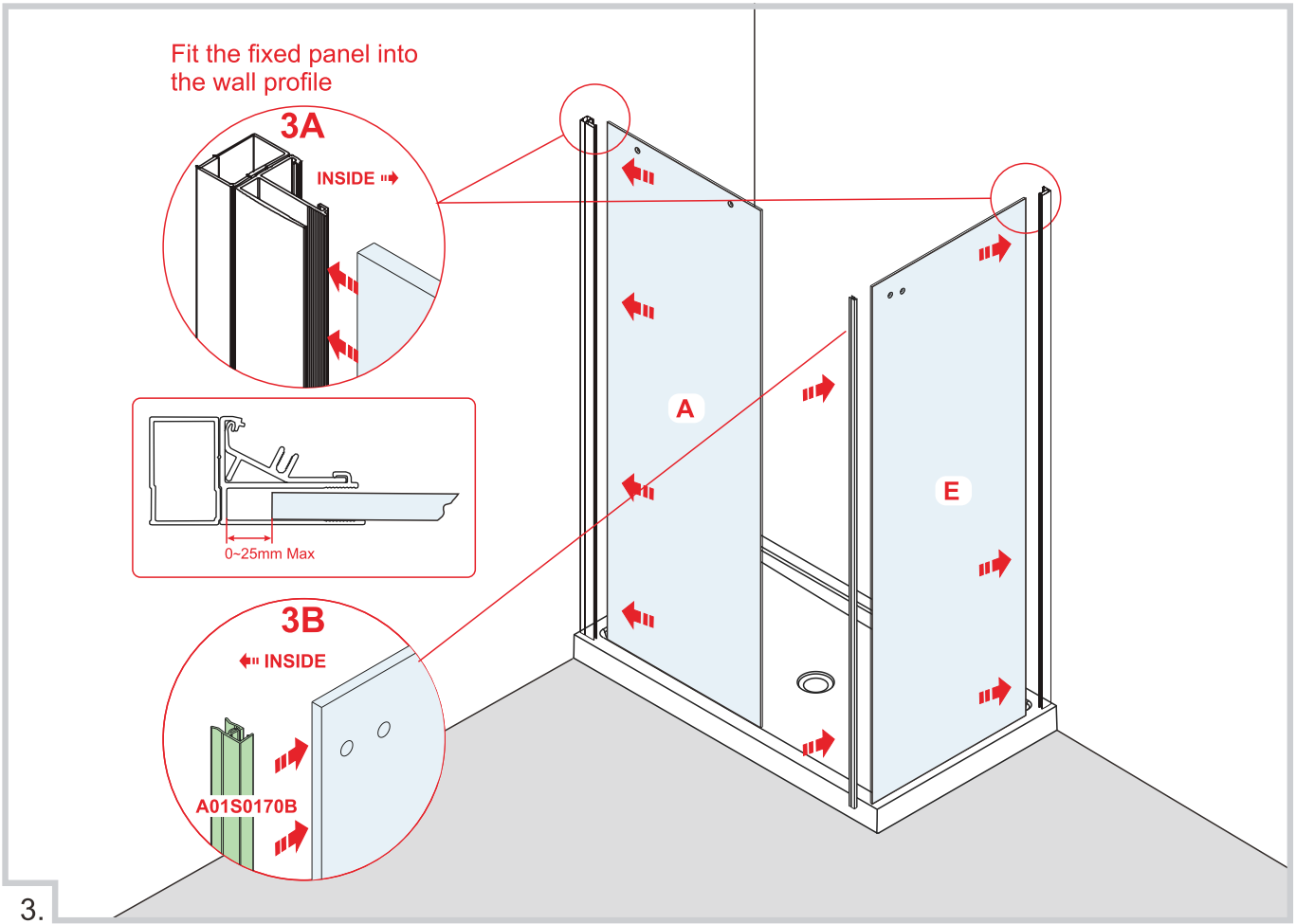
Size	X
800	760-785
900	860-885

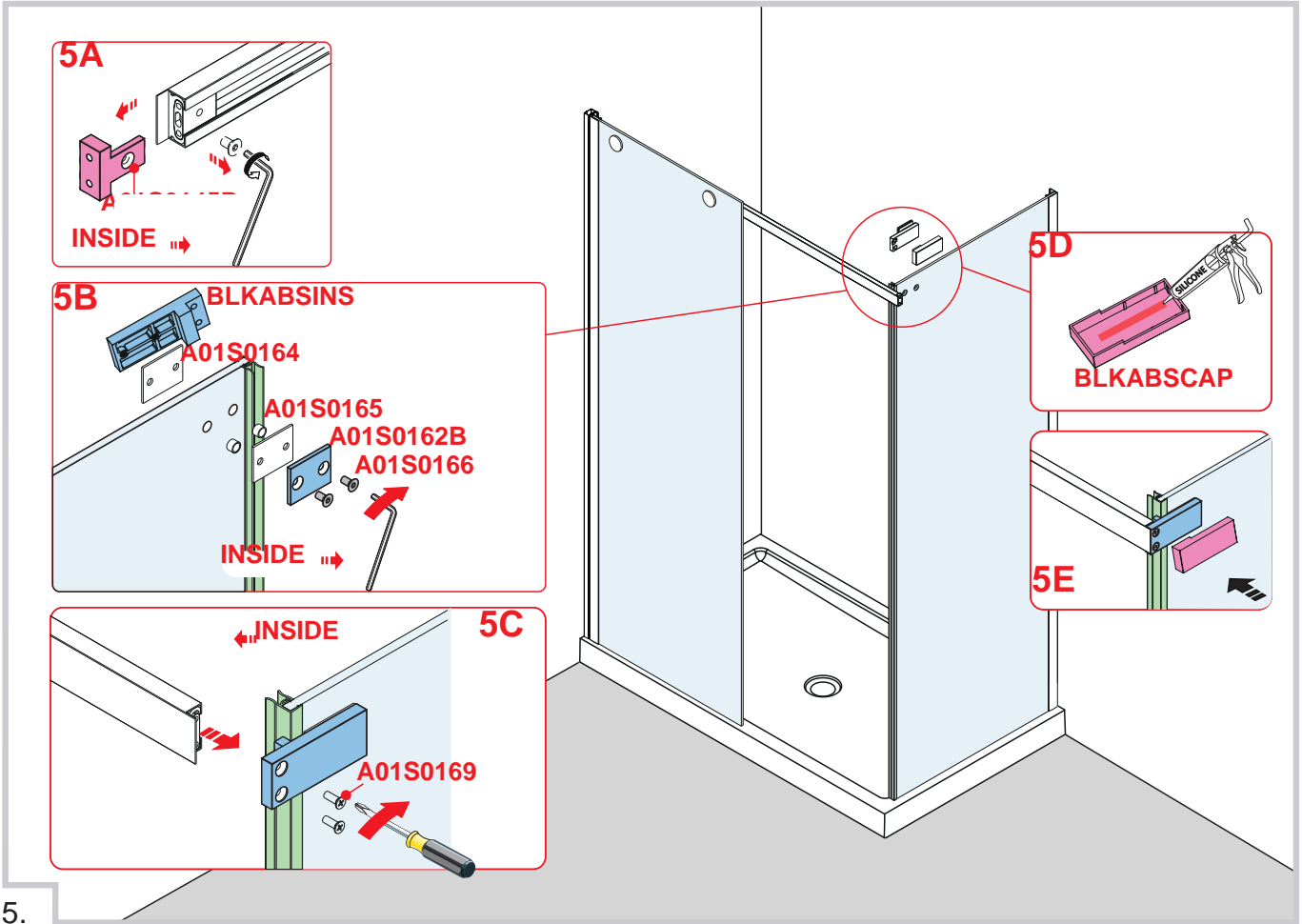
Size	Y-Adjustment using Extension profile Min-Max	Y-Adjustment without Extension profile Min-Max
1200	1140-1185	1140-1165
1300	1240-1285	1240-1265
1400	1340-1385	1340-1365
1500	1440-1485	1440-1465
1700	1640-1685	1640-1665

Determine position of side panel profile, check distance Y. If Y is more than 25mm over the Min. adjustment then use the extension profile packed in the side panel box.

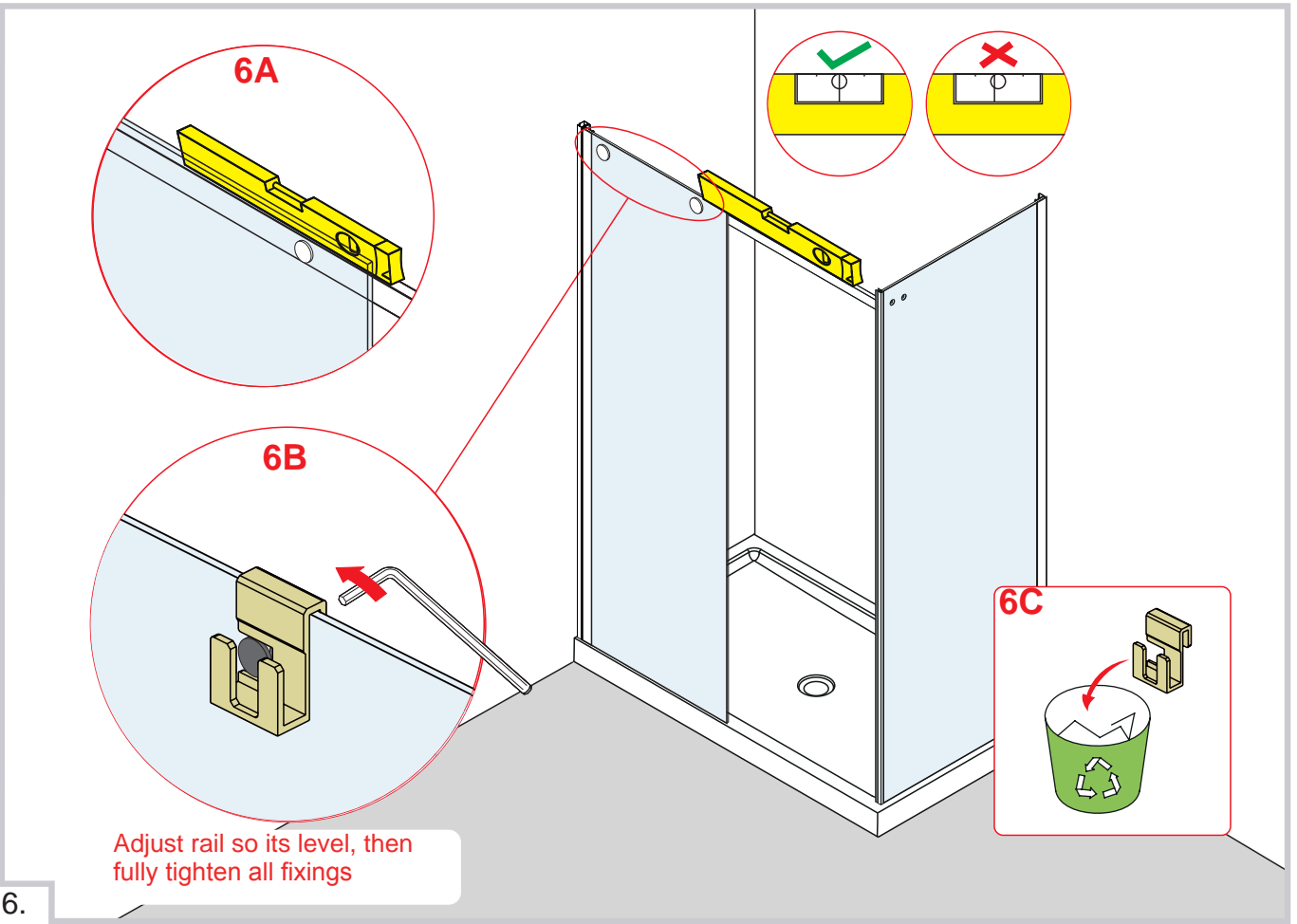


2.





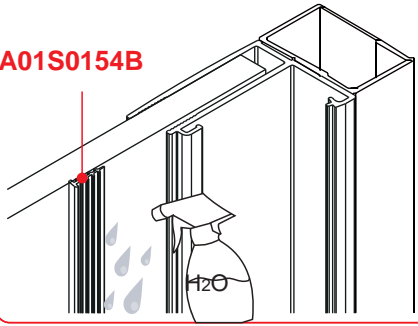
5.



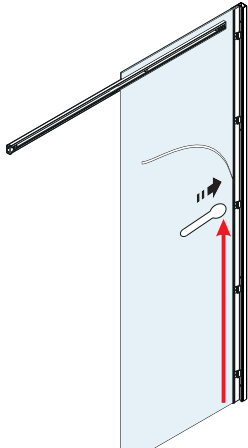
6.

7A Top Tip !! Add water to the wedge gasket to help fit into the wall profile.

A01S0154B

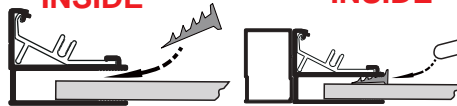


7B



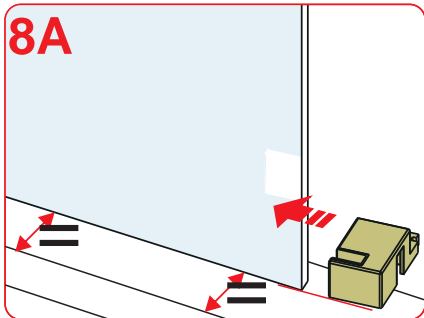
Make sure to start at the bottom and work upwards using tool provided.

7C INSIDE INSIDE



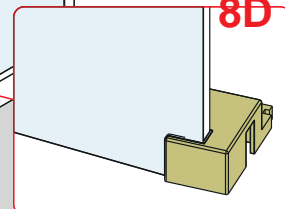
7.

8A

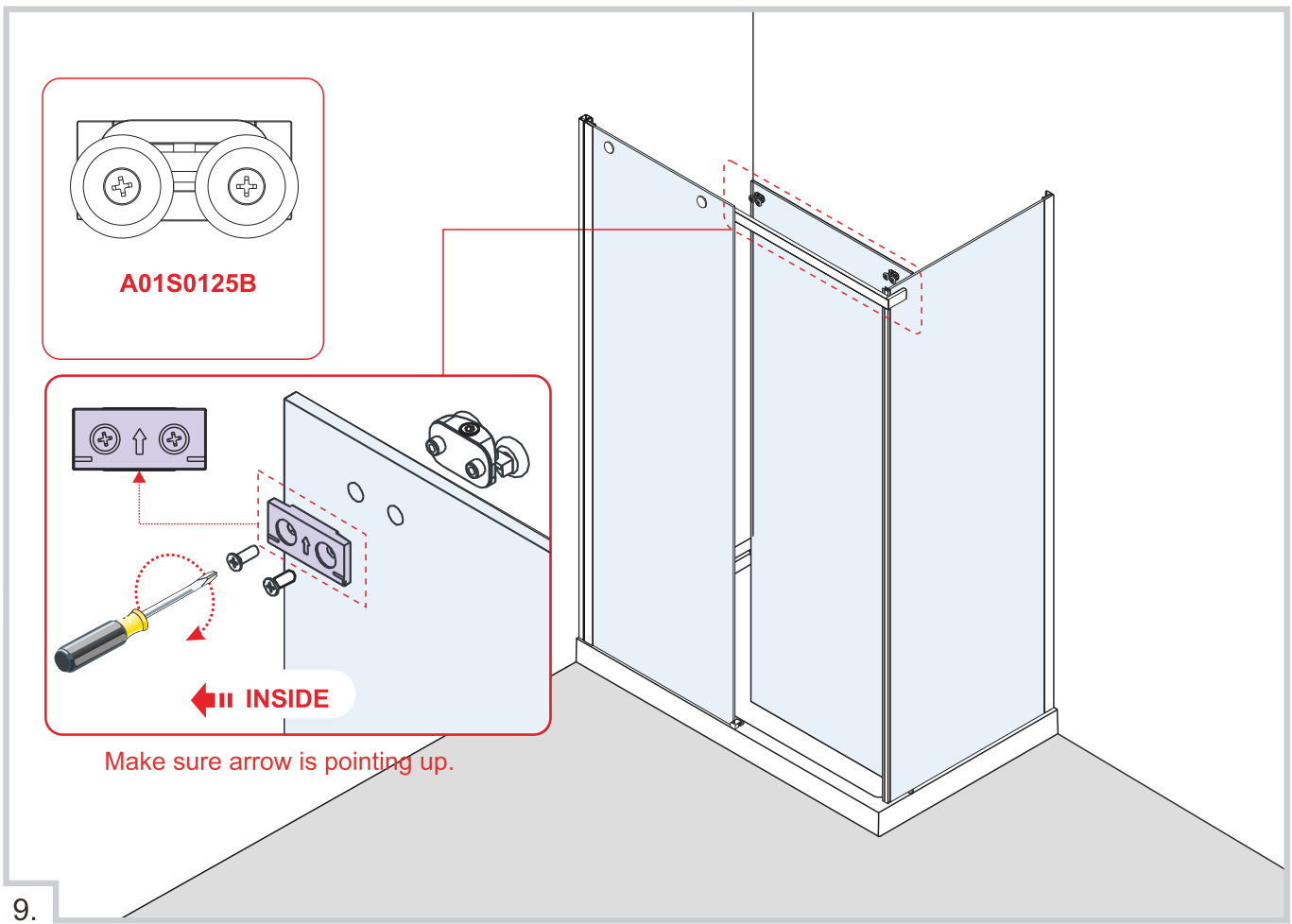


Keep equal distance from the edge of the tray to the fixed panel

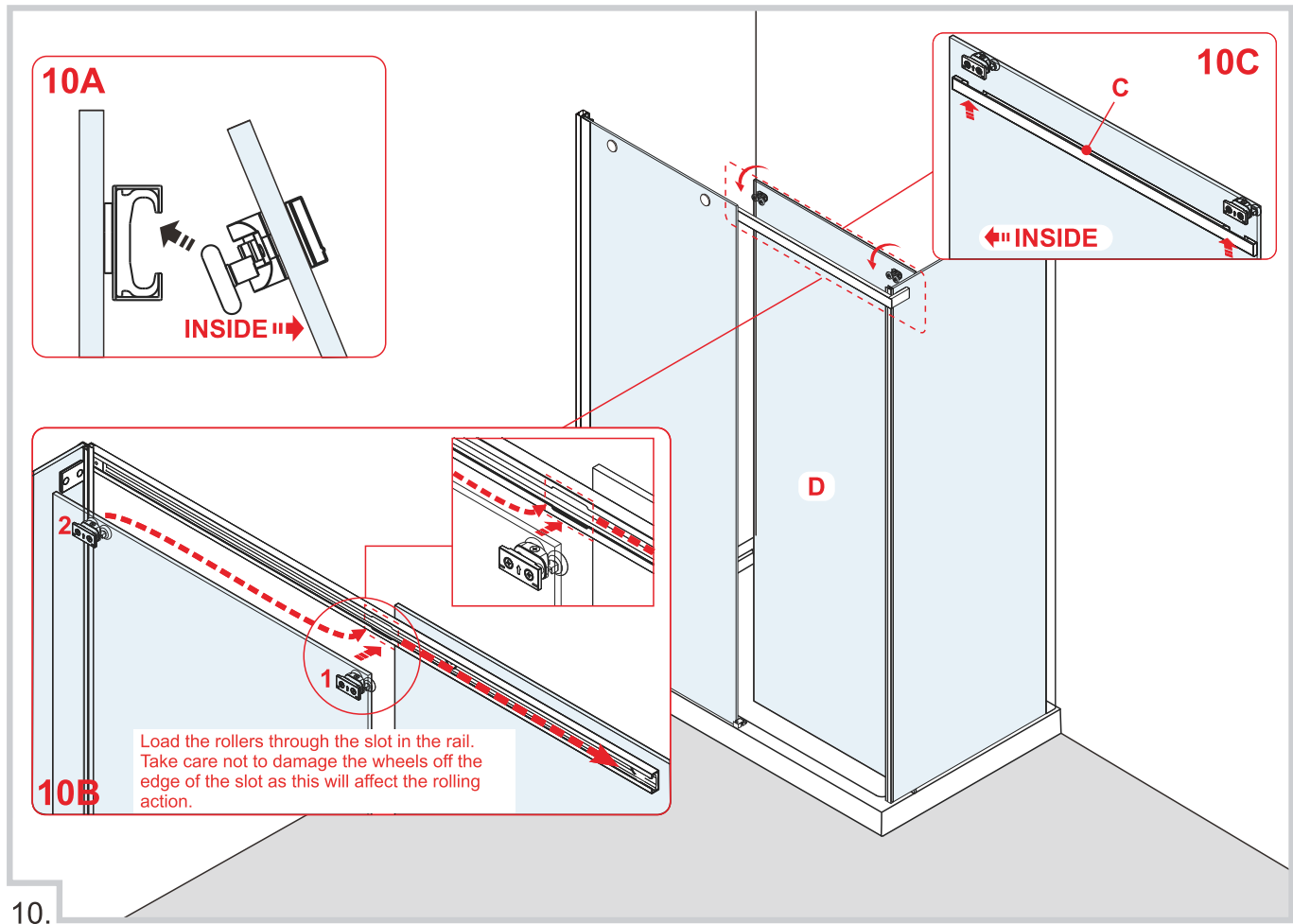
8D



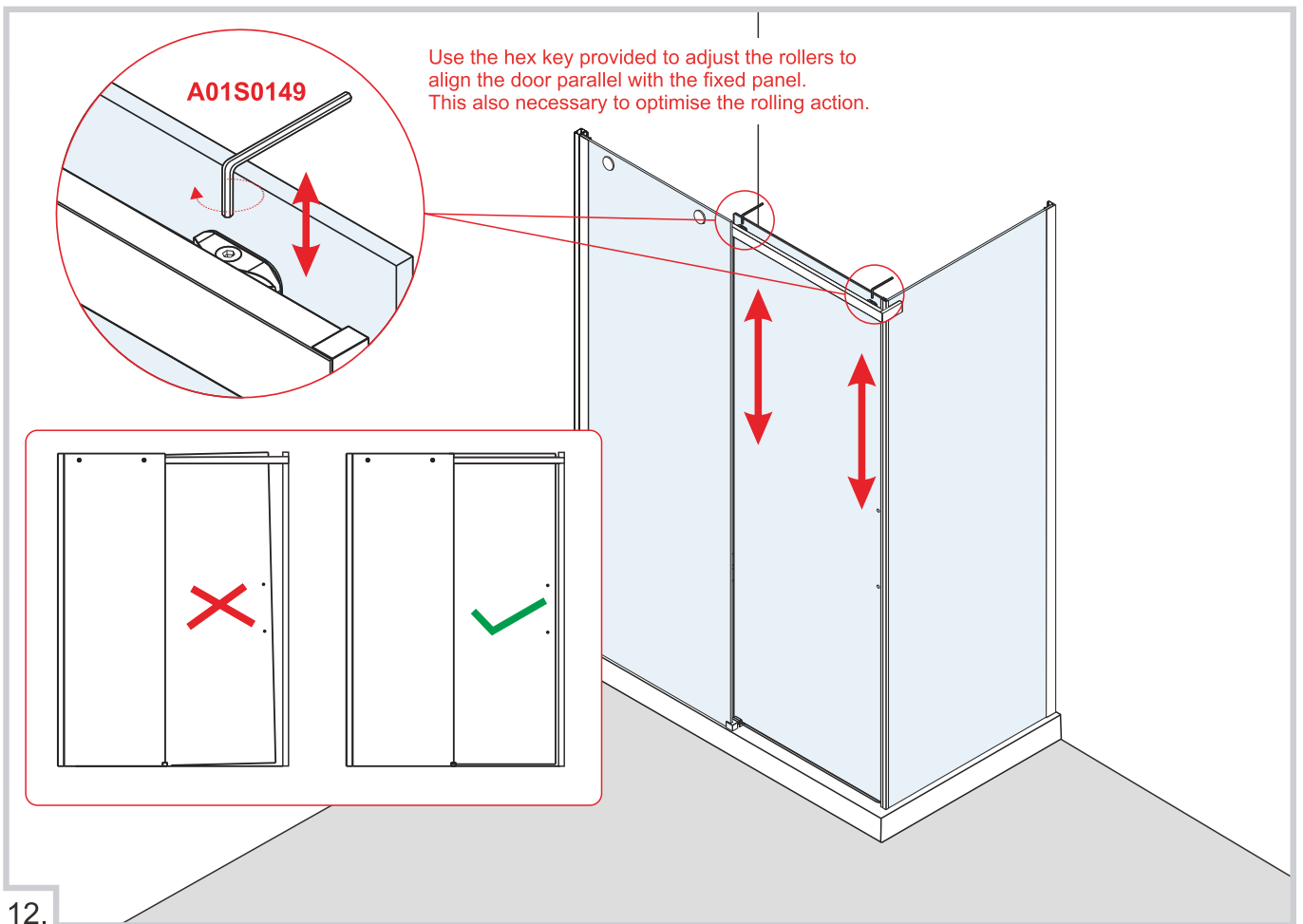
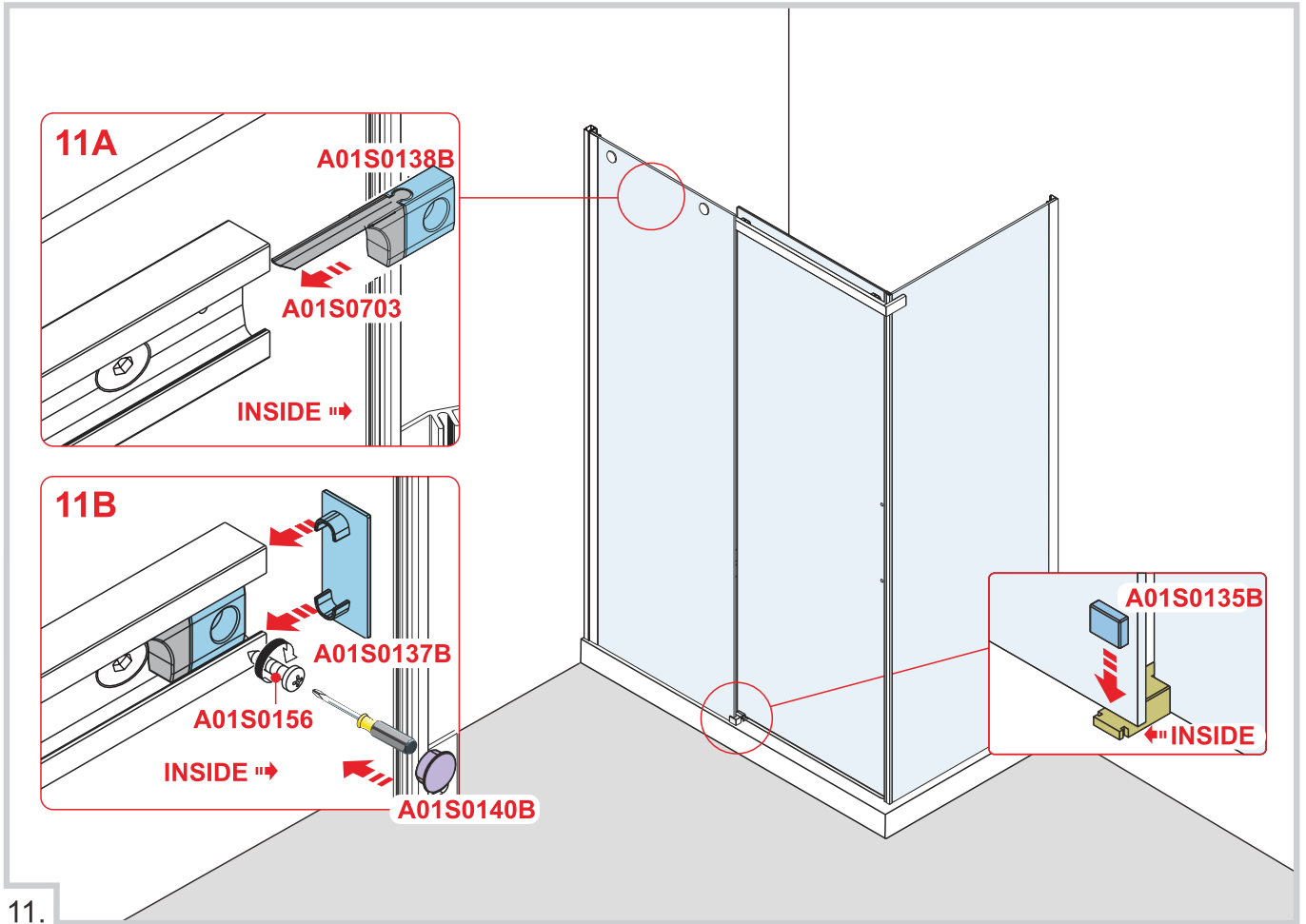
8.

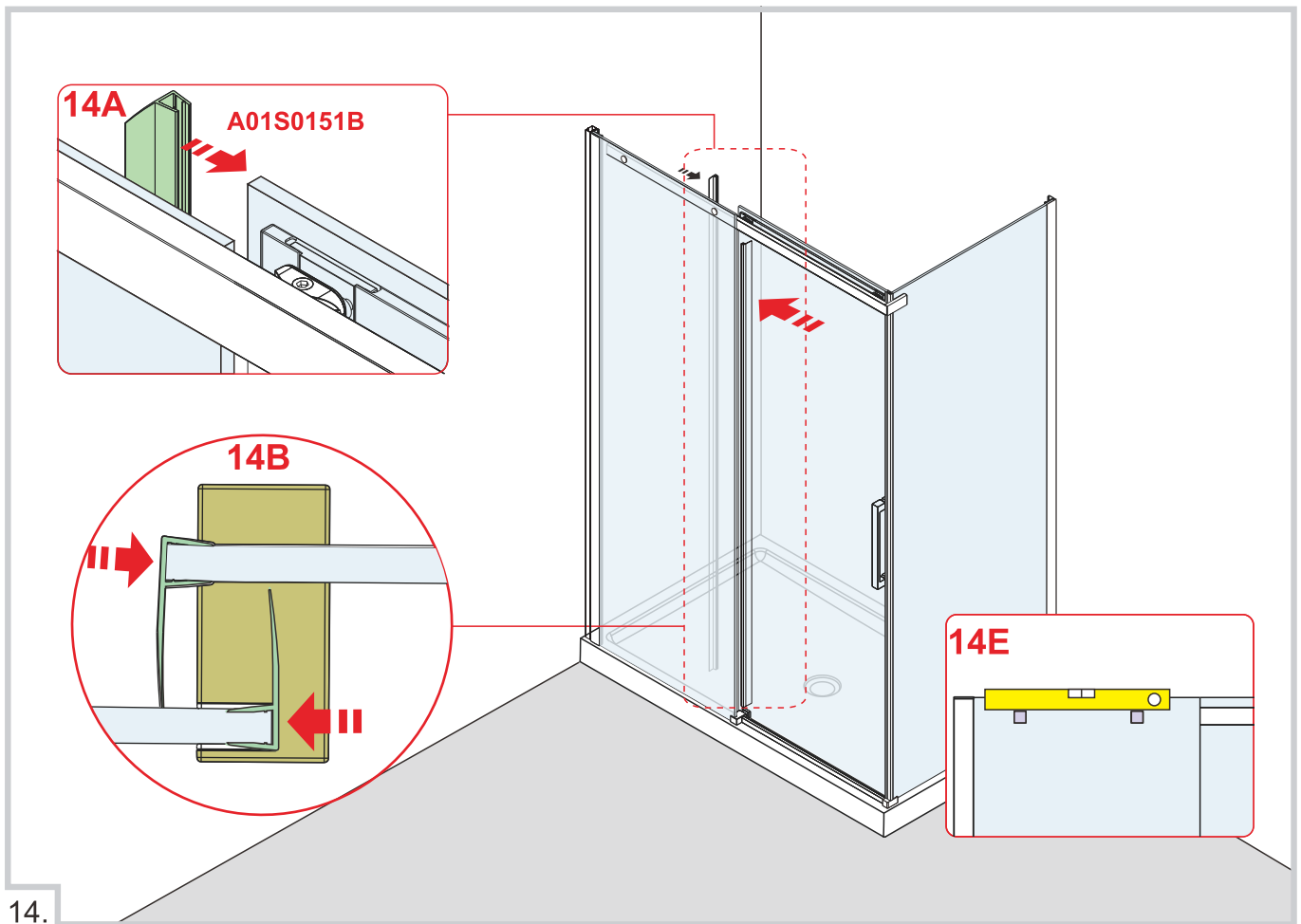
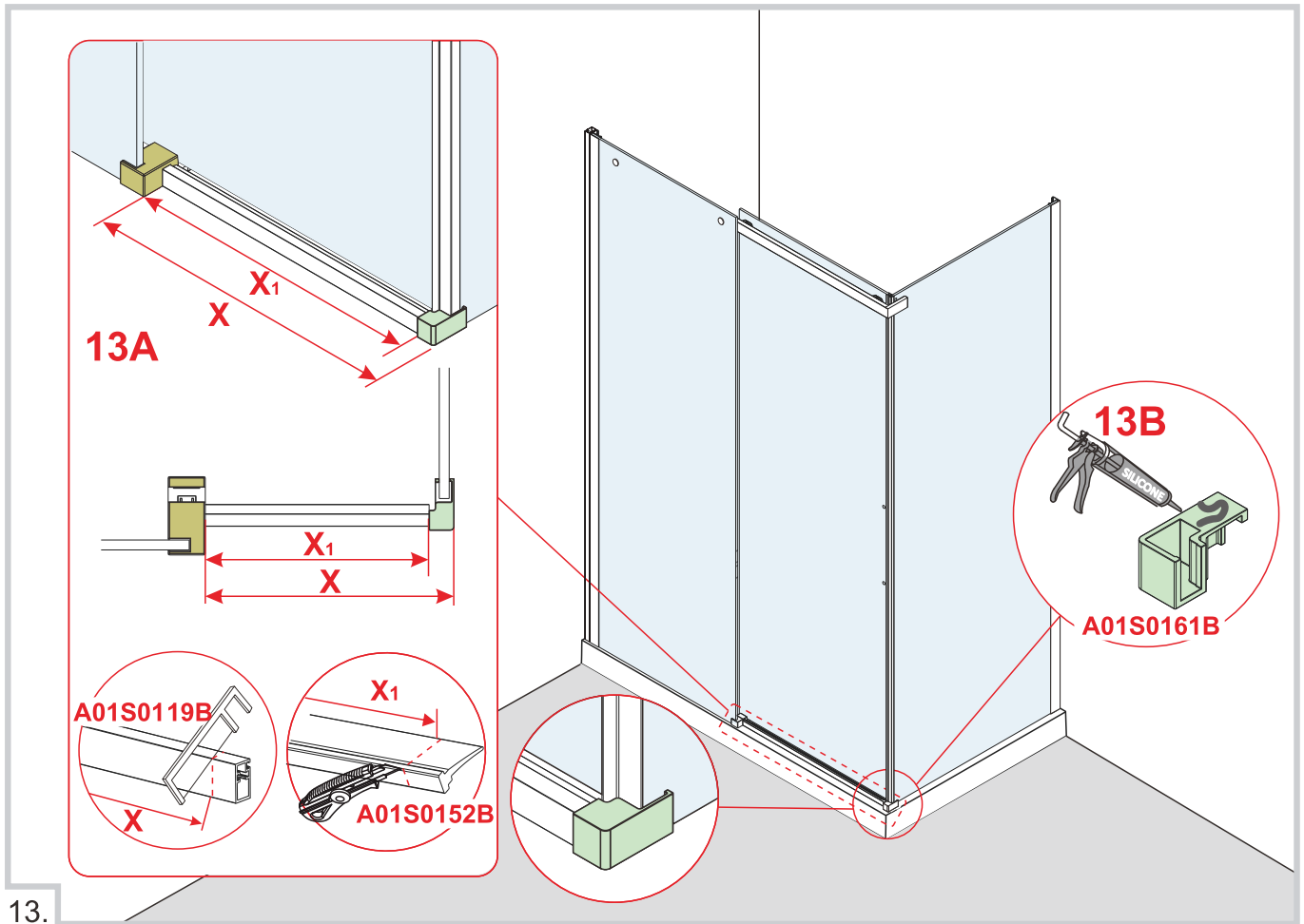


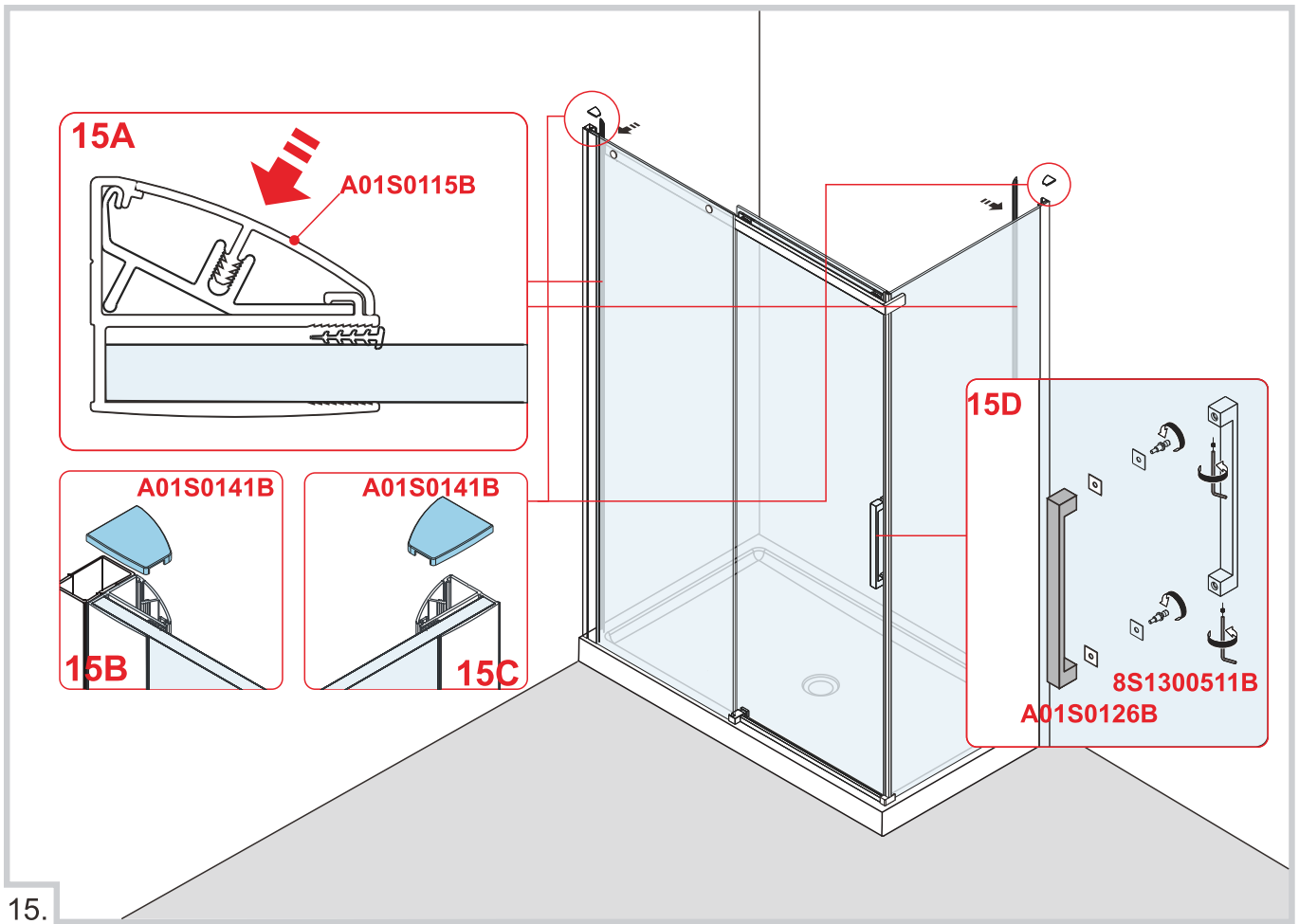
9.



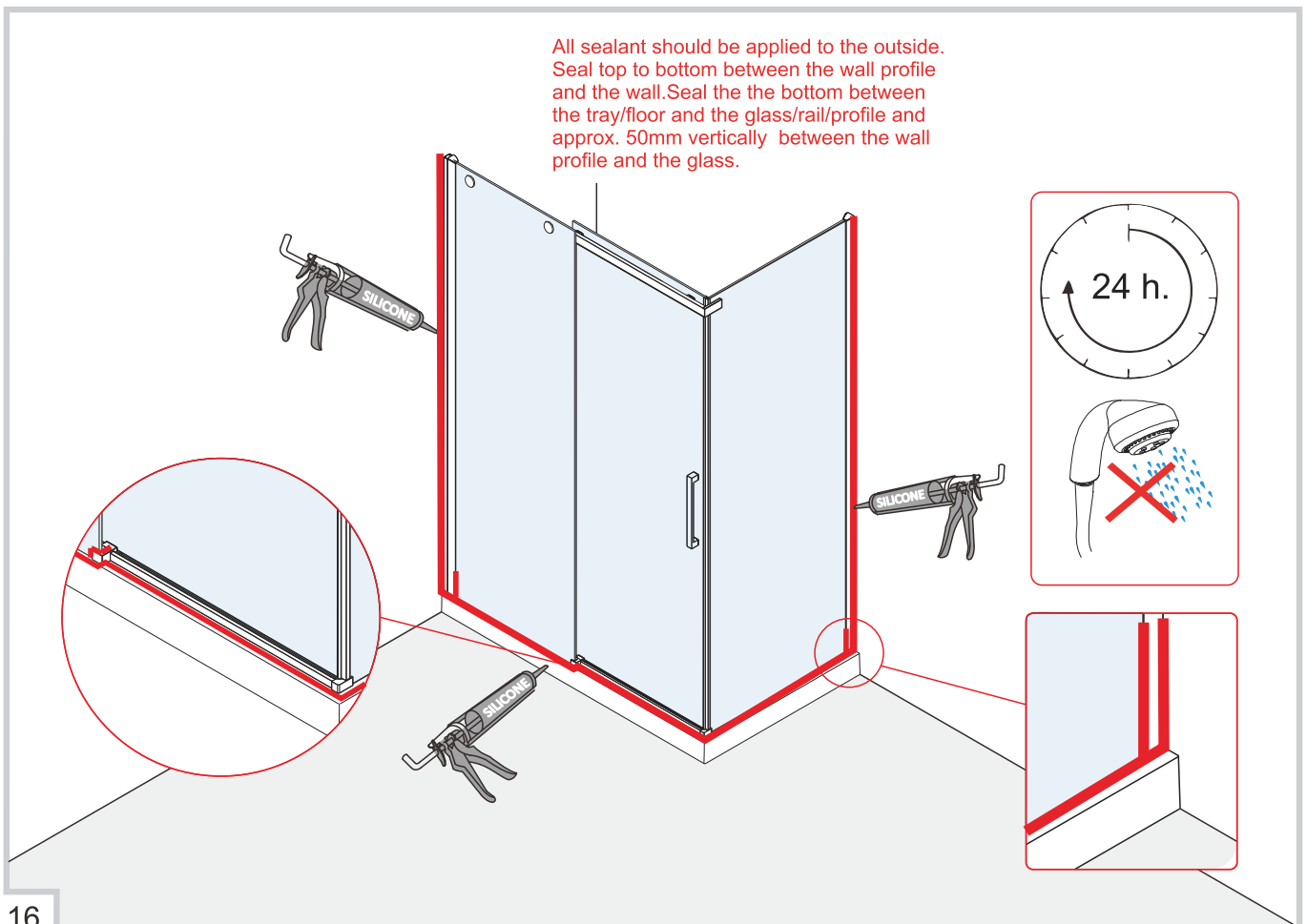
10.







15.



16.

To download the Declaration of Performance (DOP) for this product please use the link below.

<https://merlynshowering.com/aftersales-support/dop-certs/>

For further information please contact IRL: 056 7791 555, UK: 08081011429