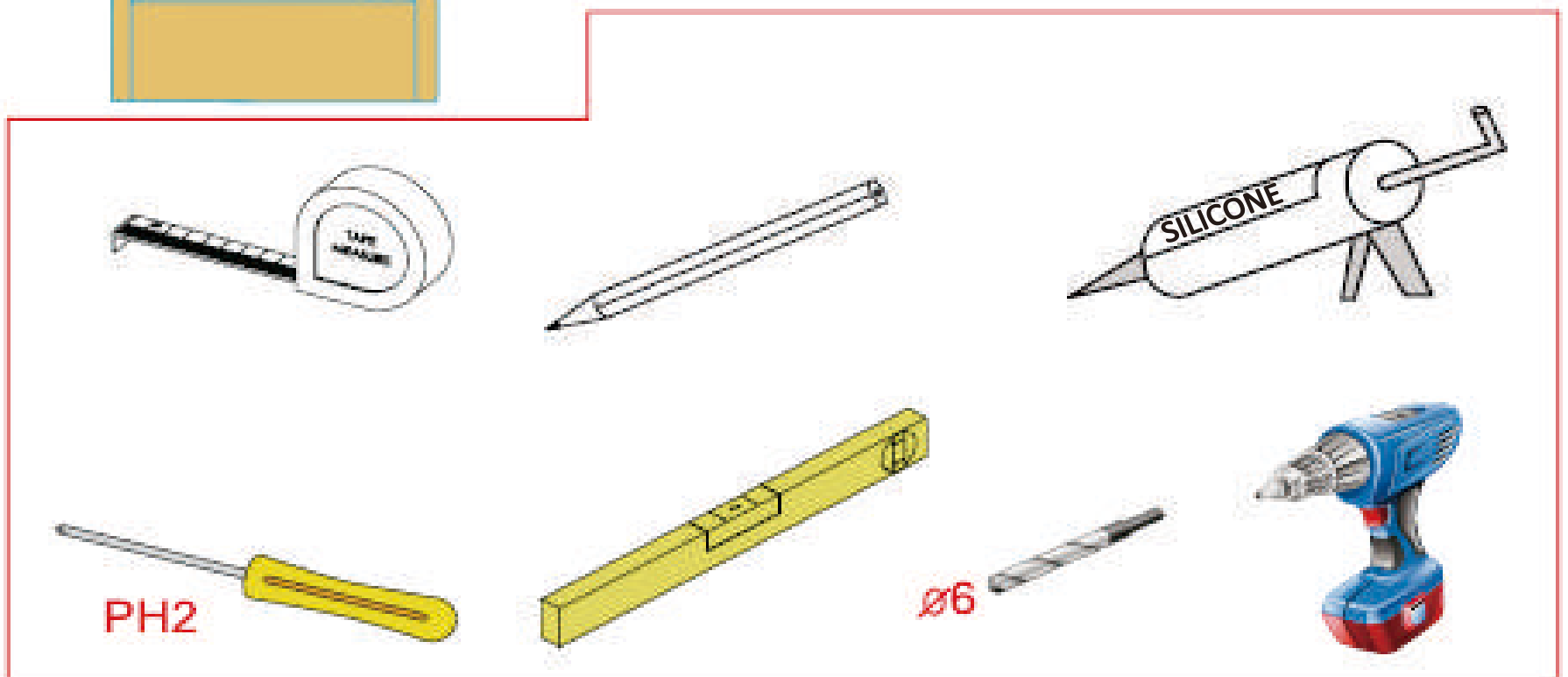
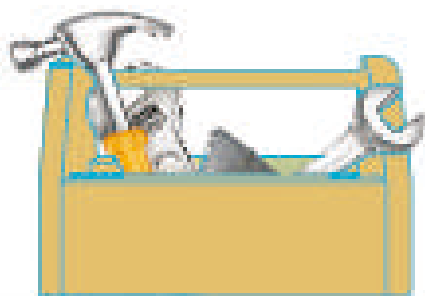
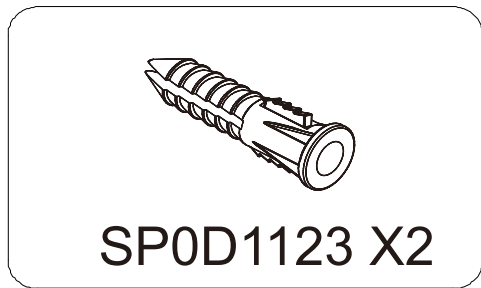
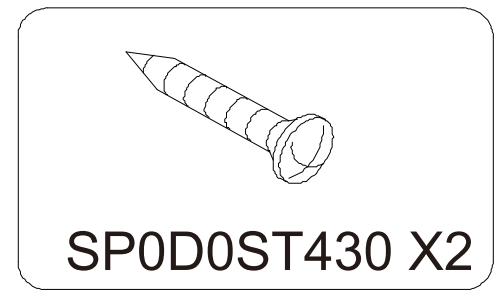
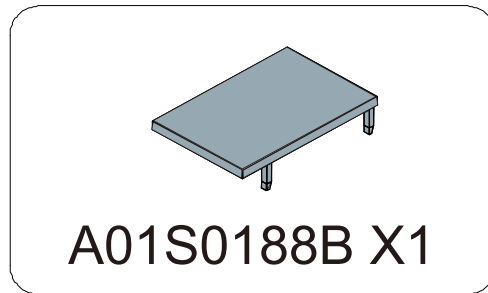
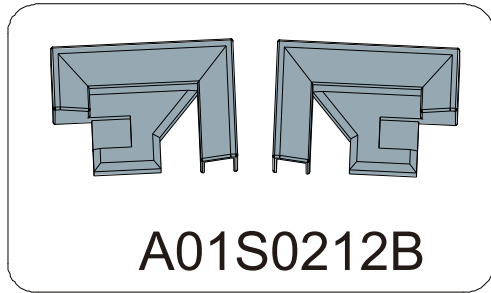
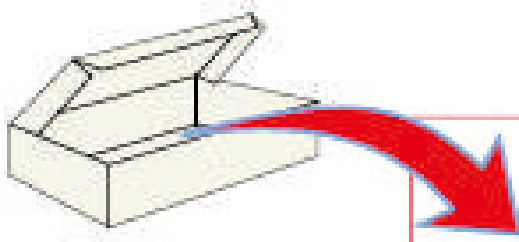
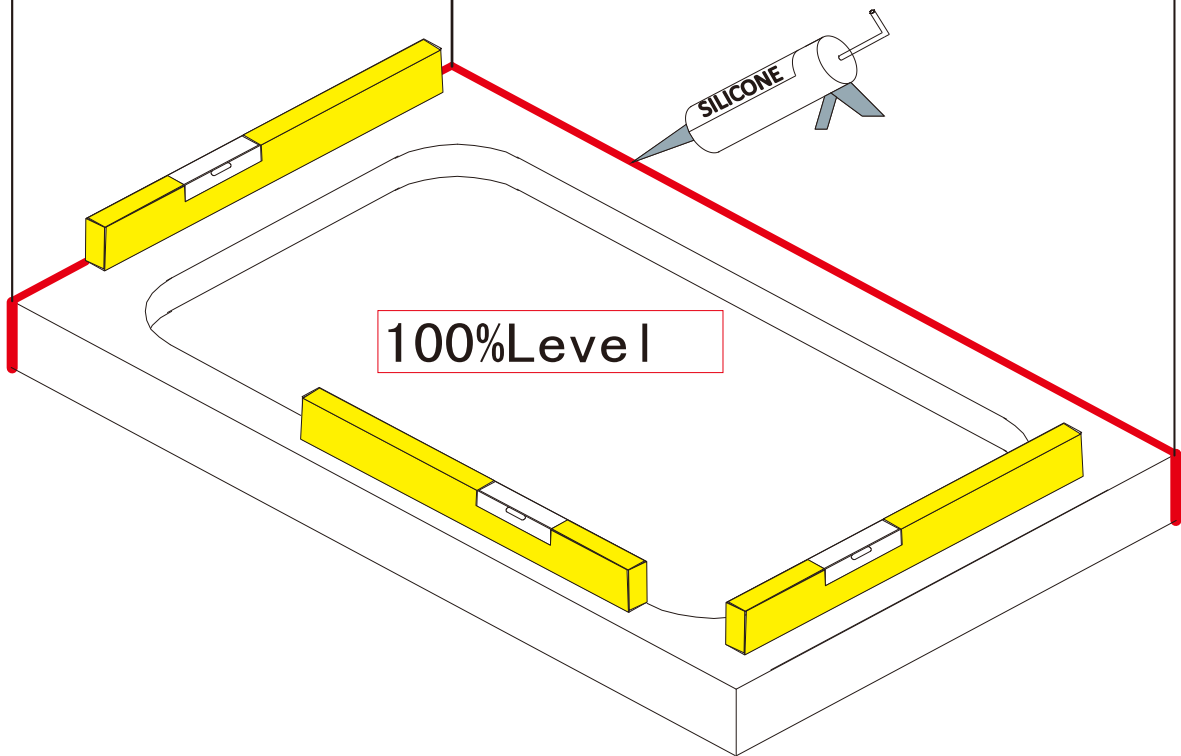
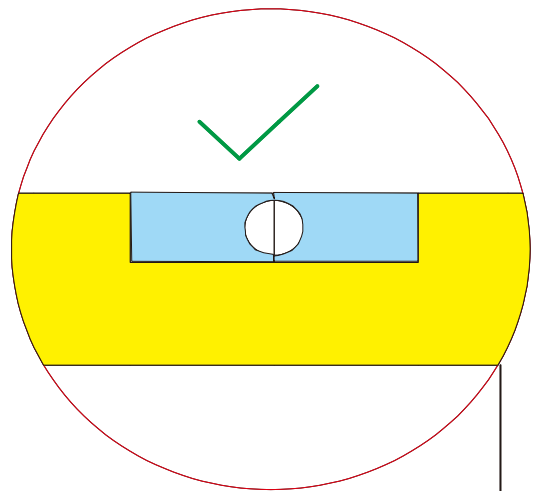
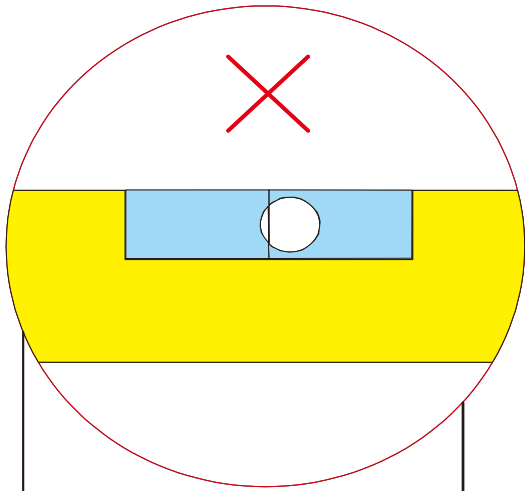


No.	Qty	Description	Part No.	No.	Qty	Description	Part No.
①	2	Bracing bar covercap	A01S0619B	⑥	1	Bracing bar	B
②	1	Upright profile cap	A01S0188B	⑦	1	Bracing bar clamp	A01S0289B
③	1	Side panel	A				
④	1	Side panel footplate	A01S0212B				
⑤	3	Pan head screw 4 x 30	SP0D0ST430				





1

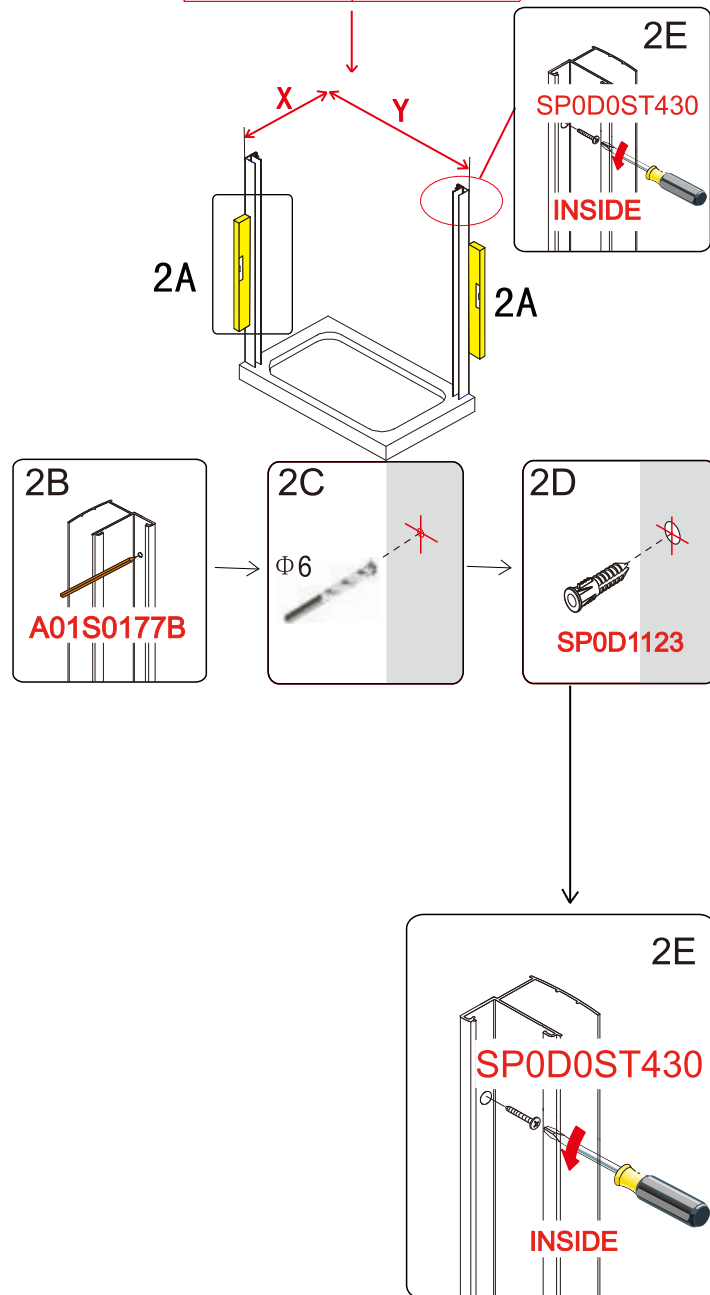
Option A

Size	Y
900	830-850
1000	930-950
1200	1130-1150
1400	1330-1350

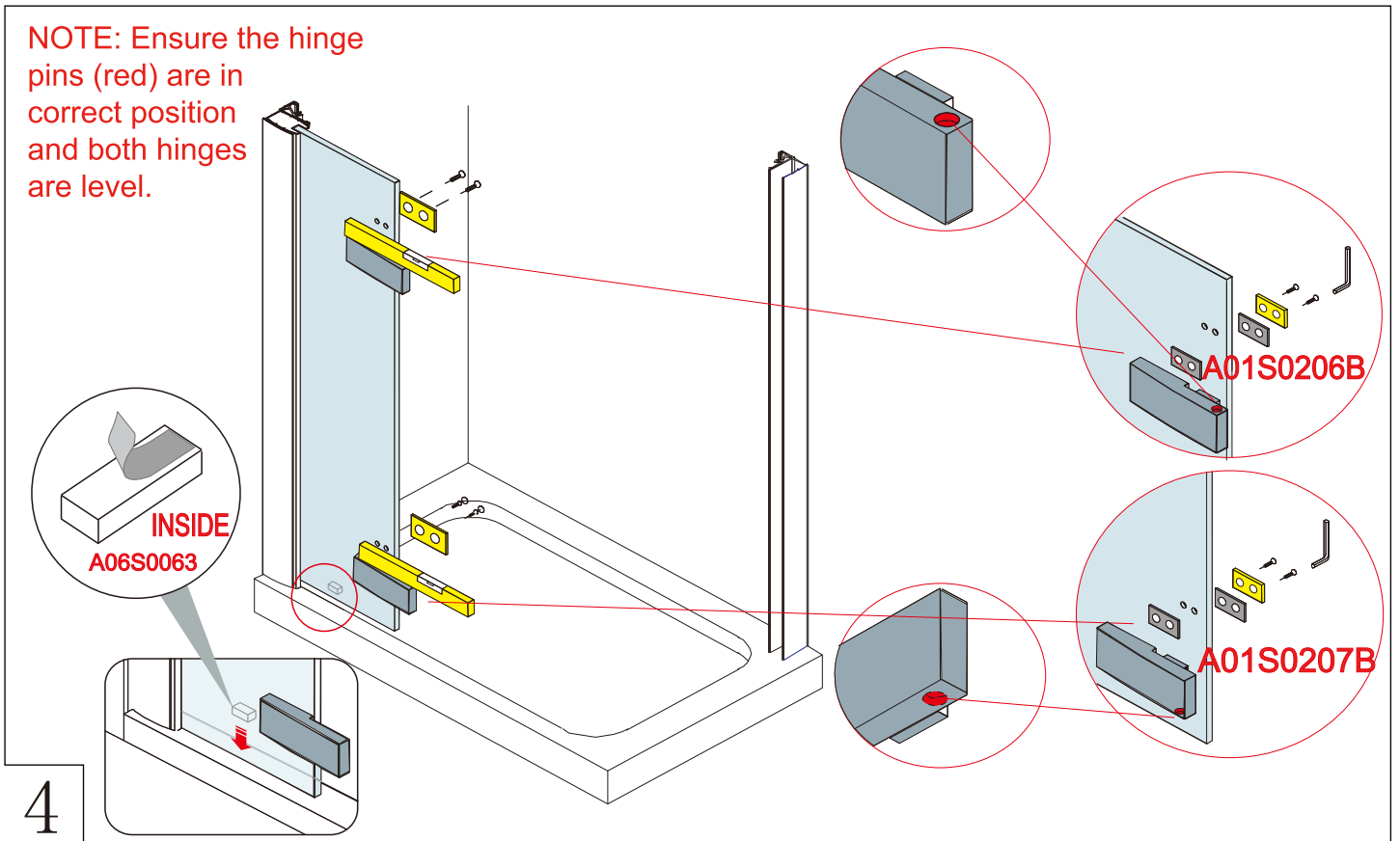
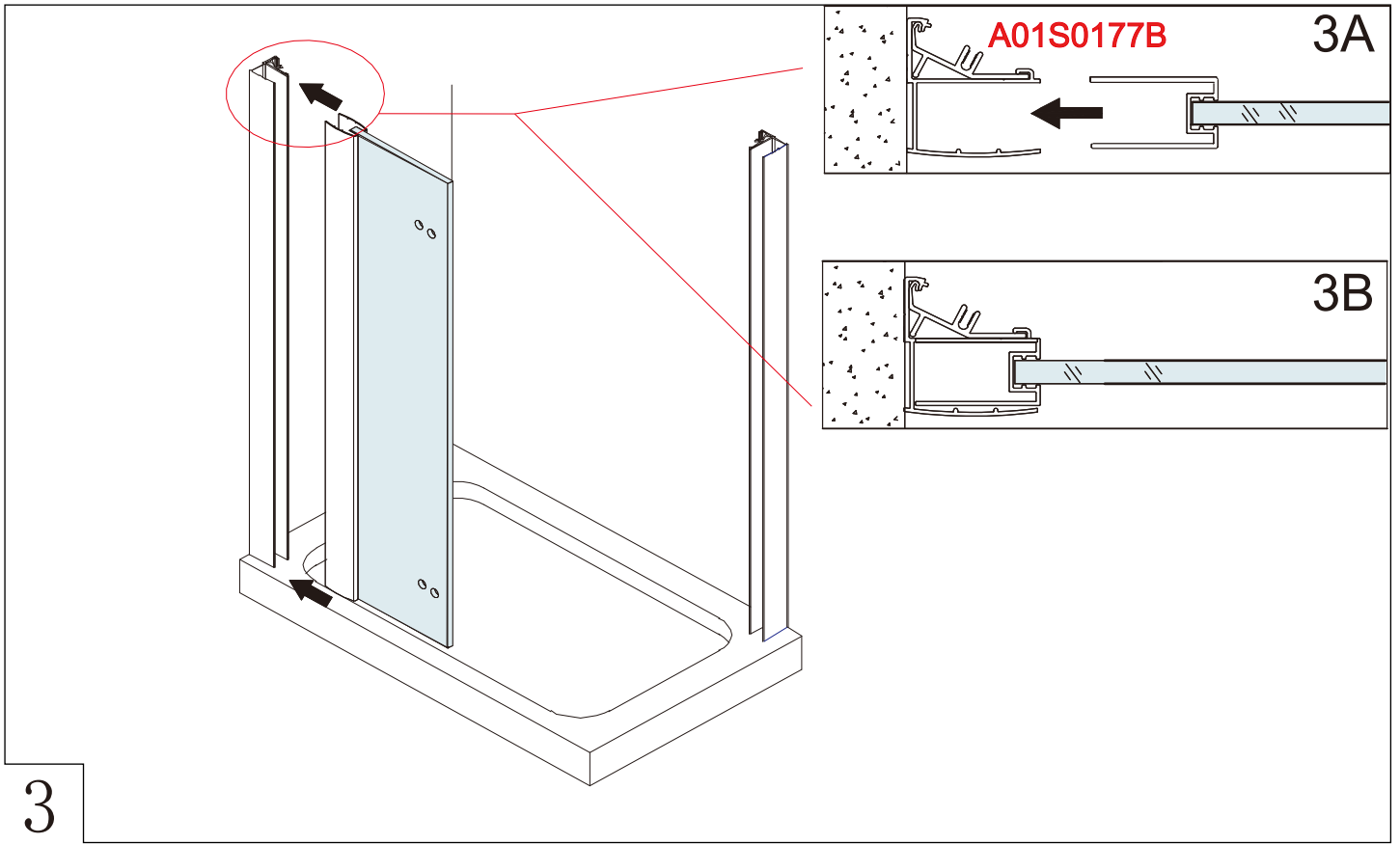
Option B

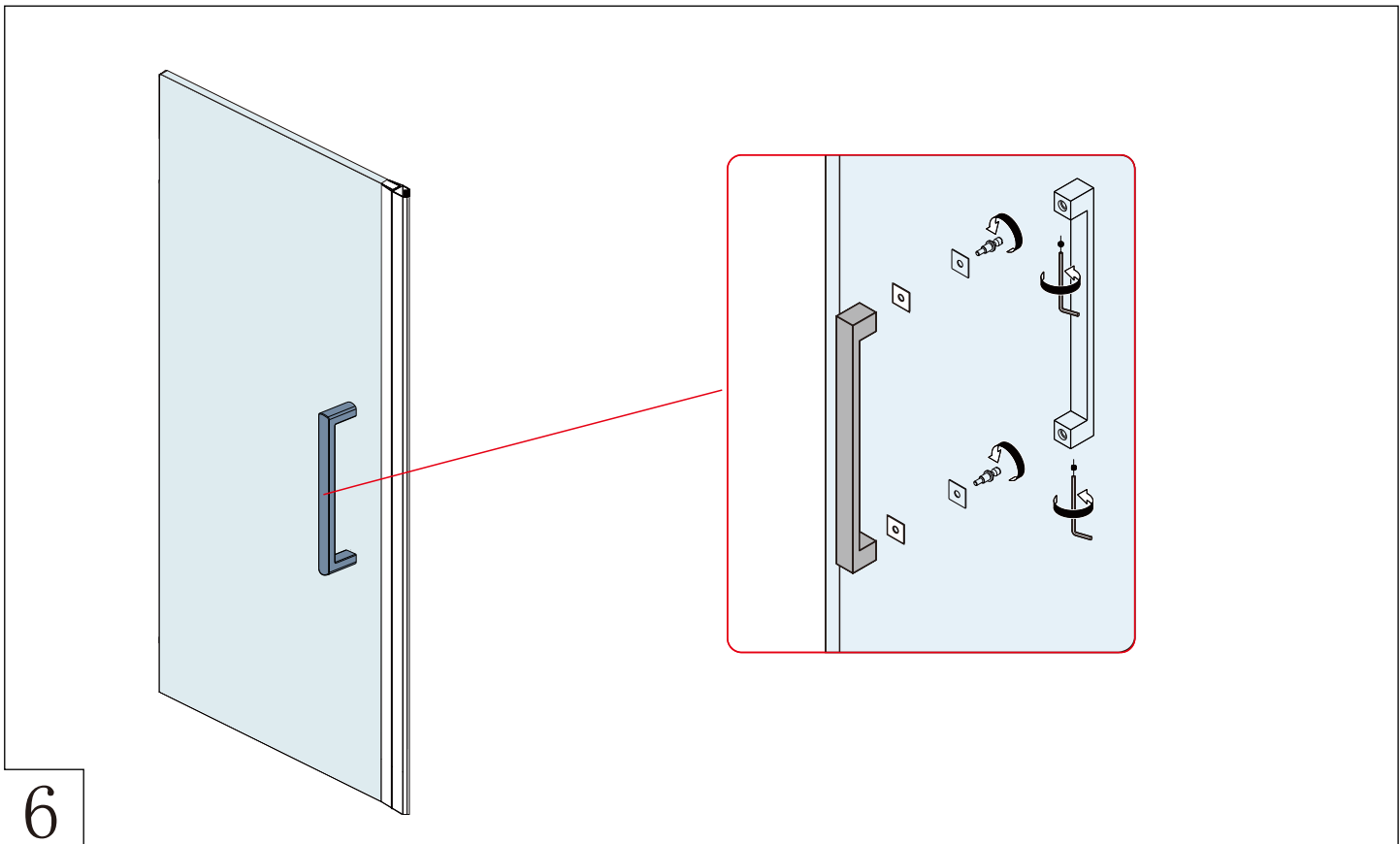
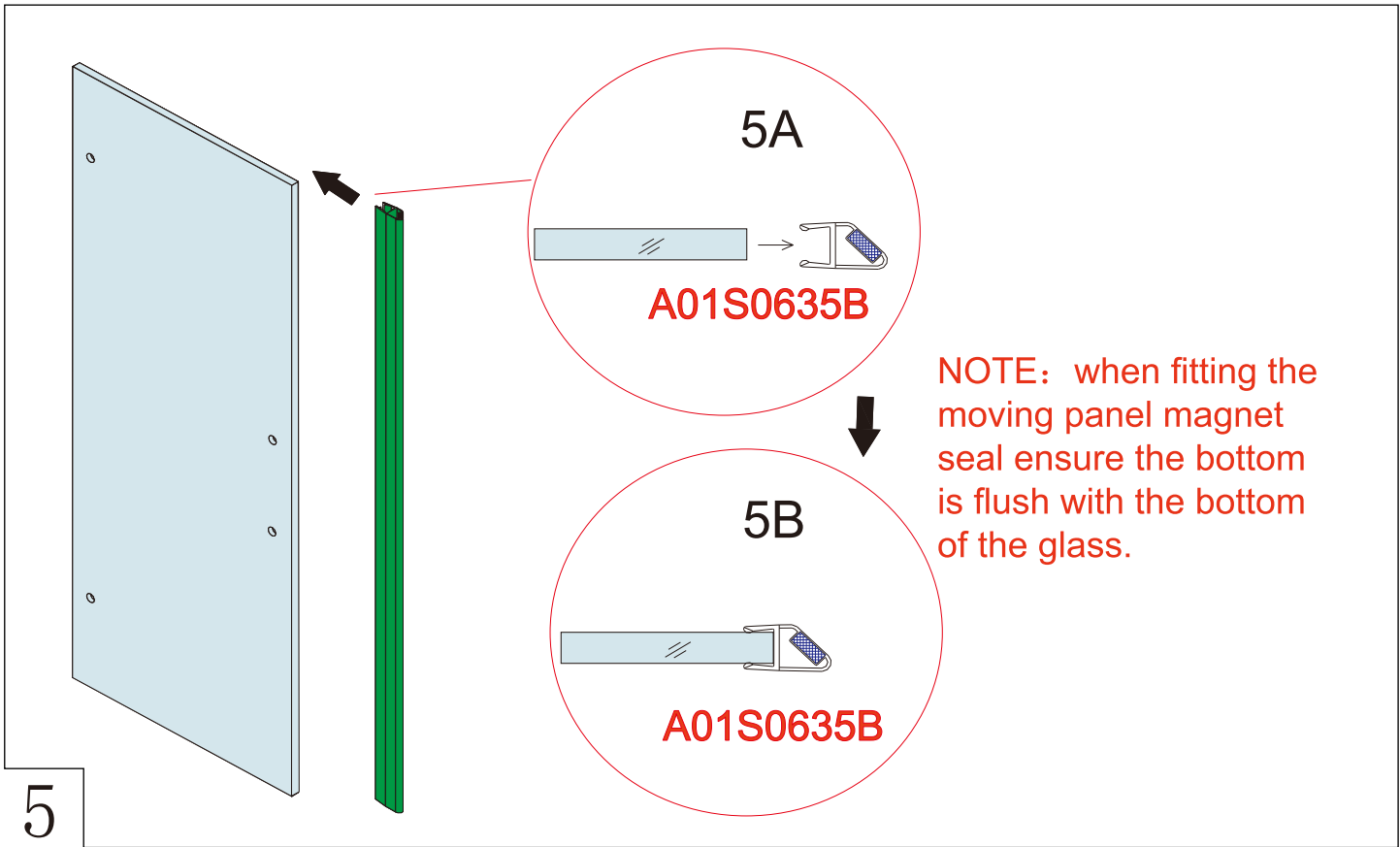
Size	Y
800+	770-790
900+	870-890
1000+	970-990
1200+	1170-1190
1400+	1370-1390

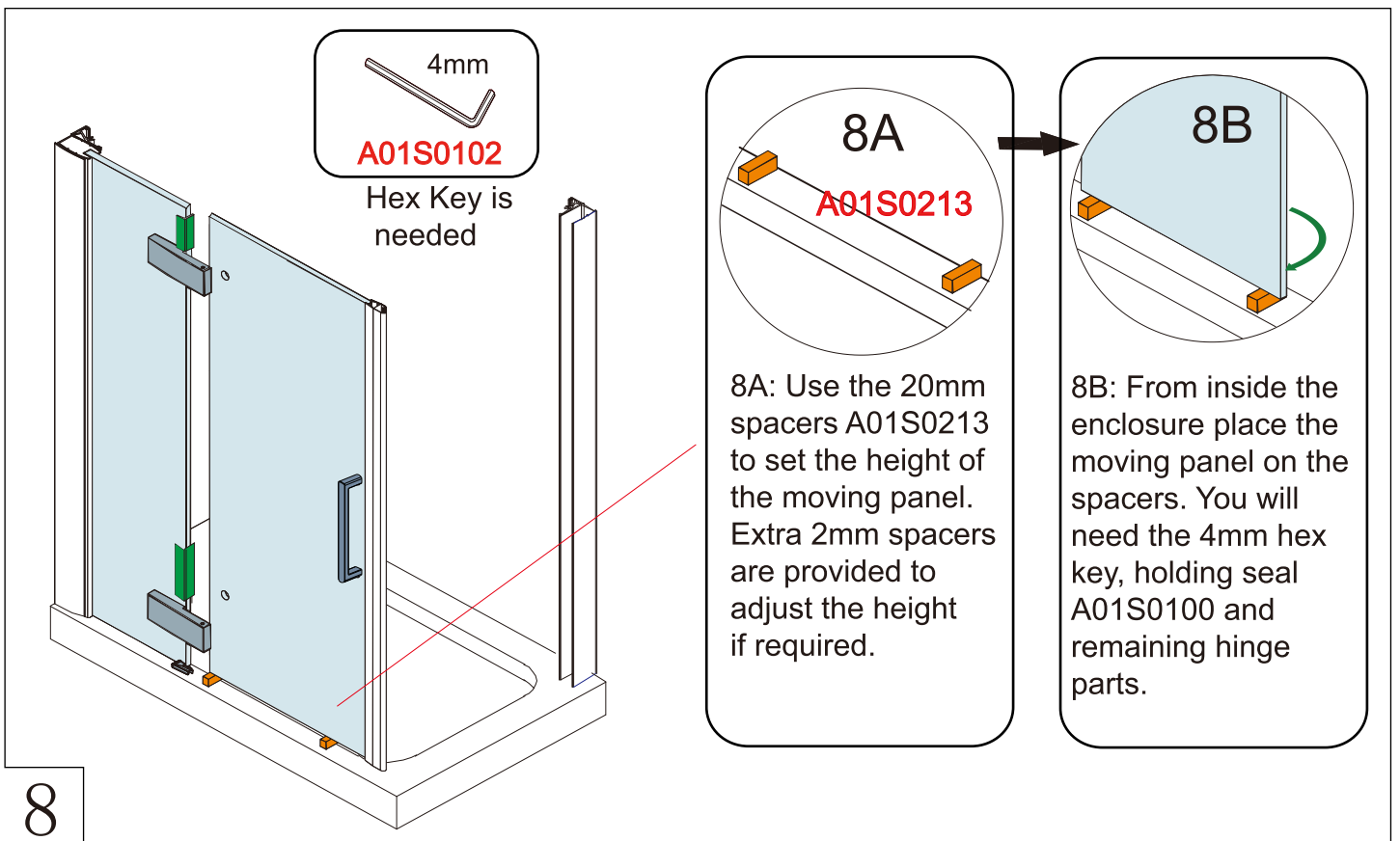
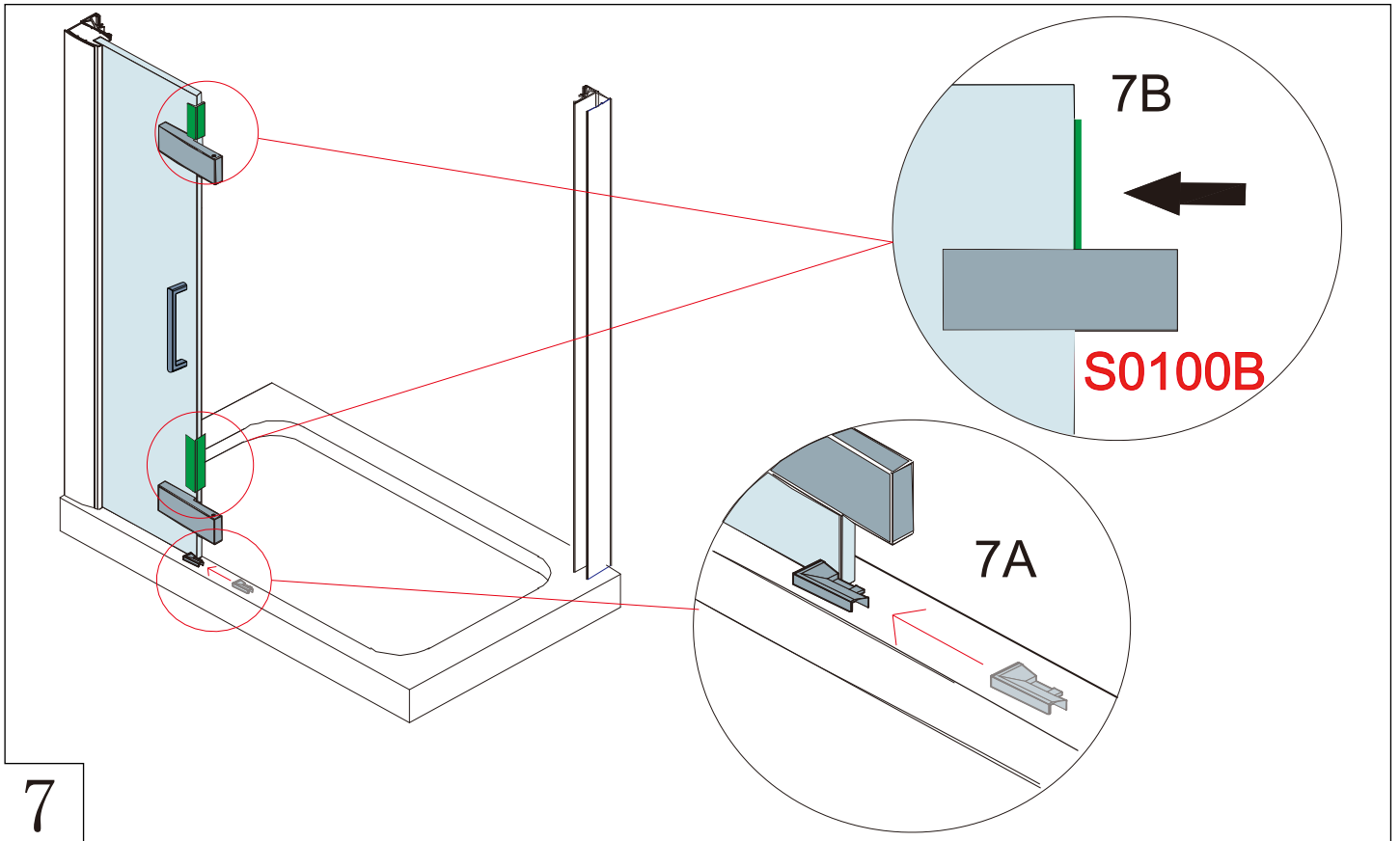
Size	X
760	730-750
800	770-790
900	870-890

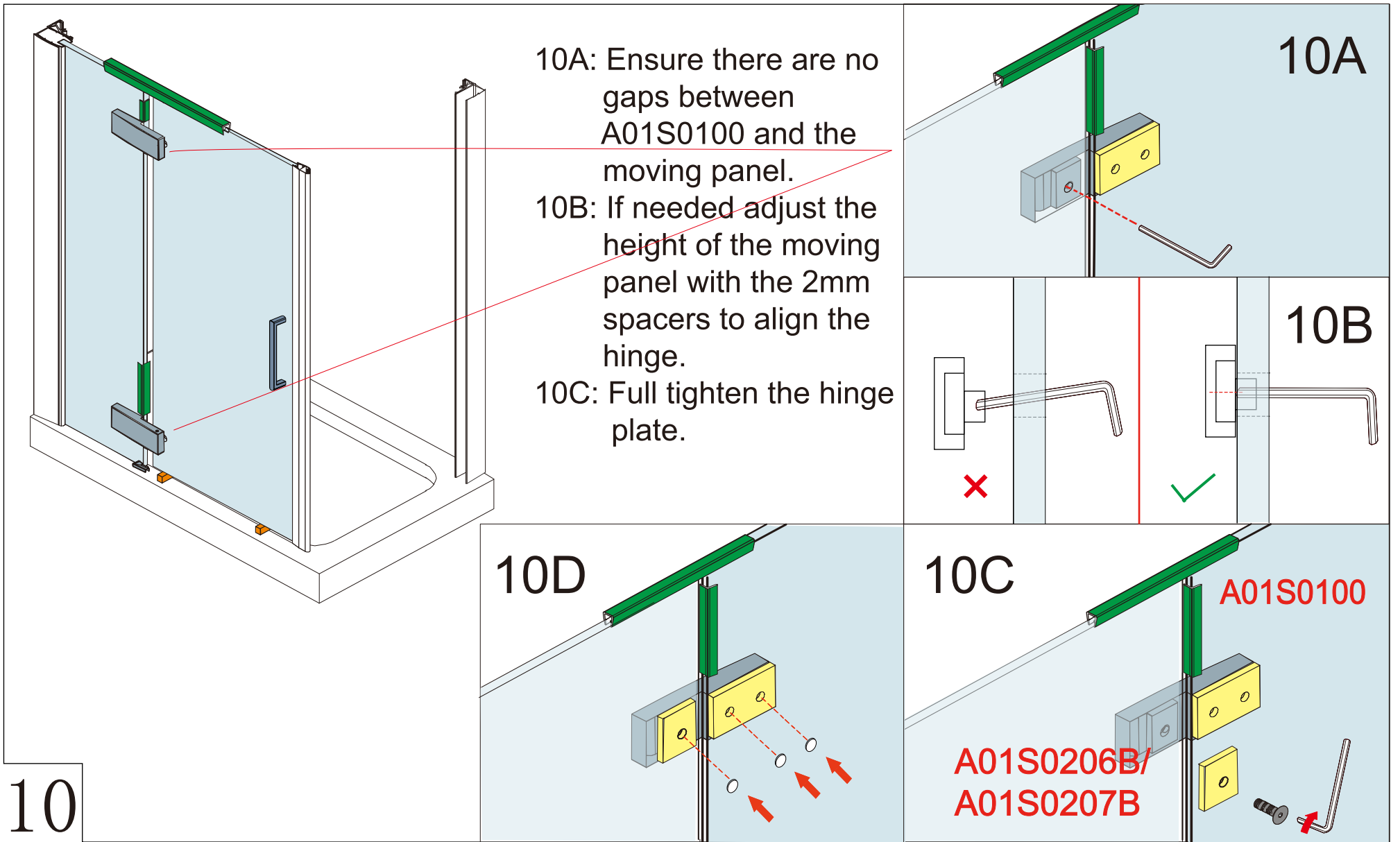
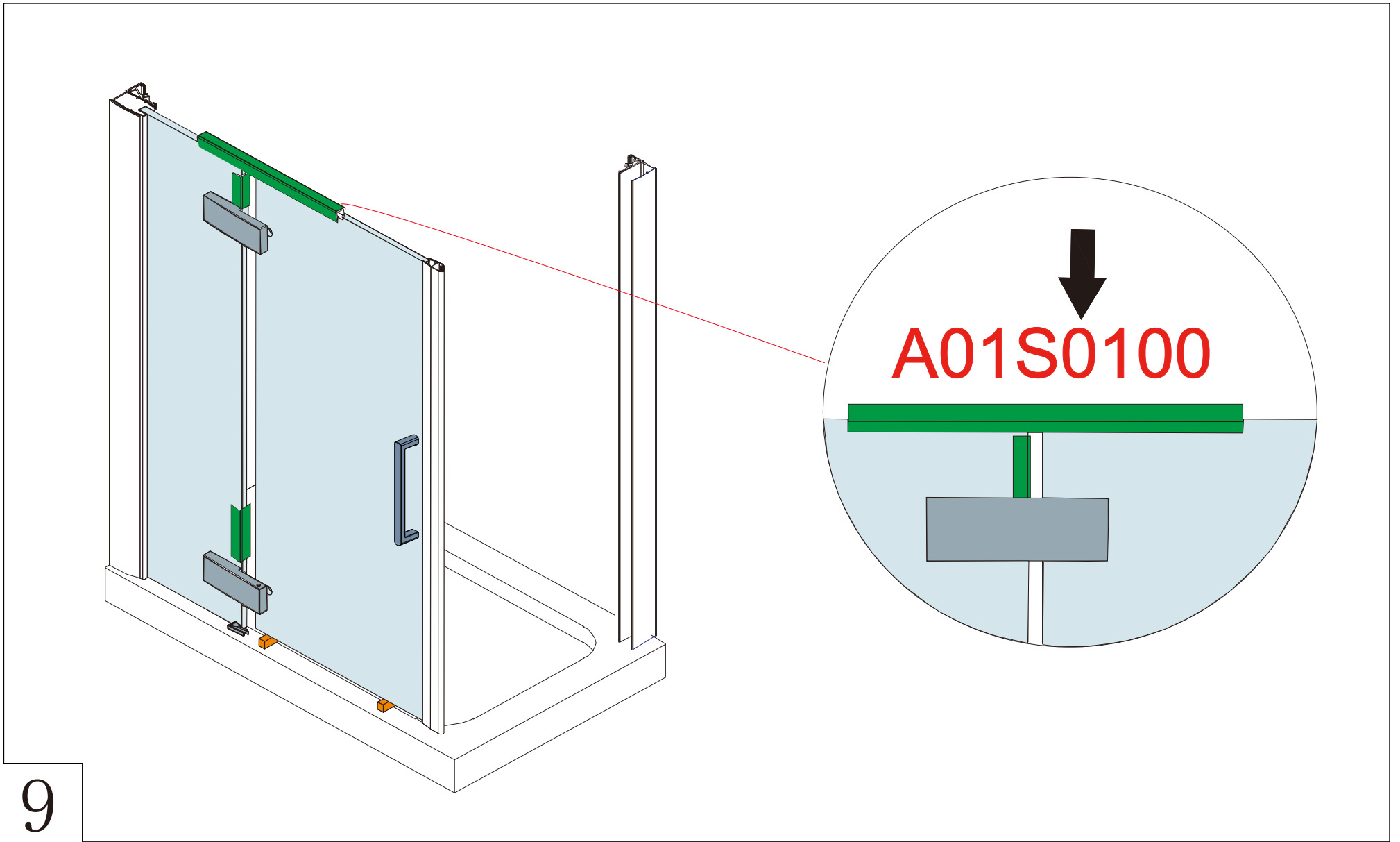


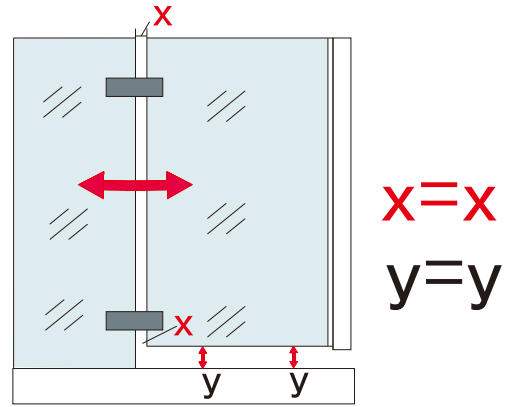
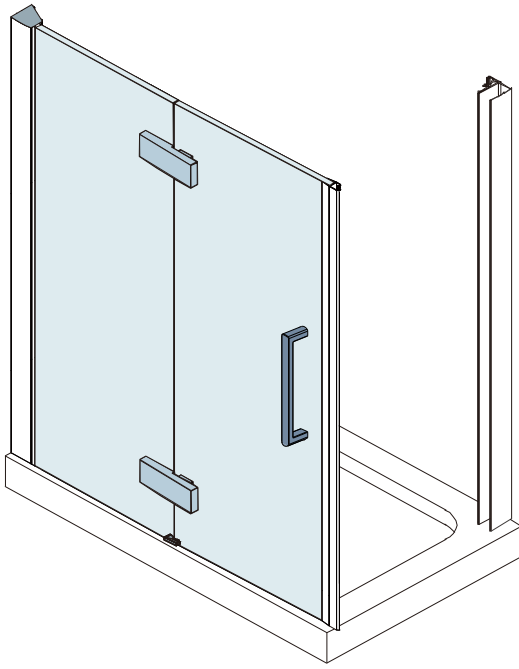
2



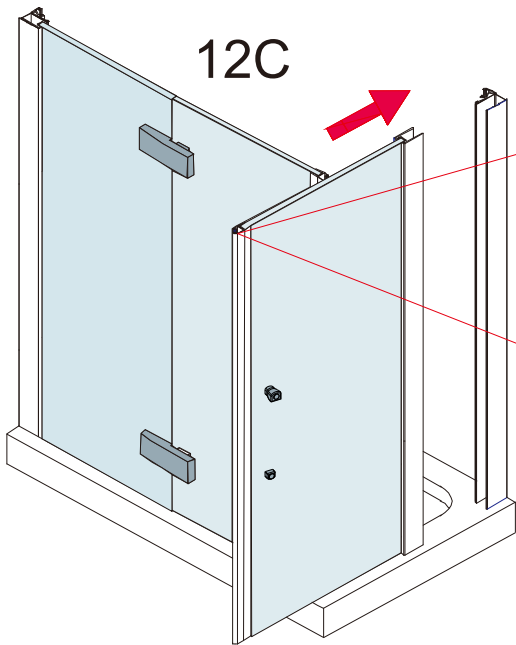




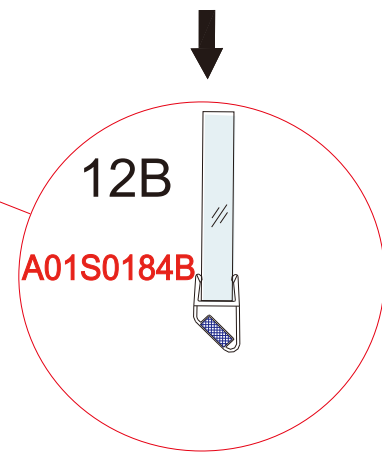
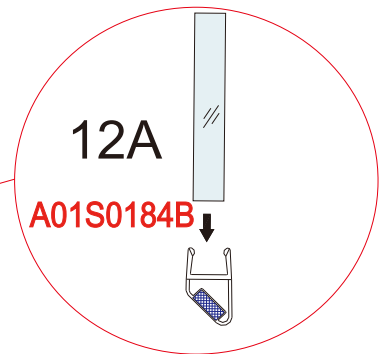




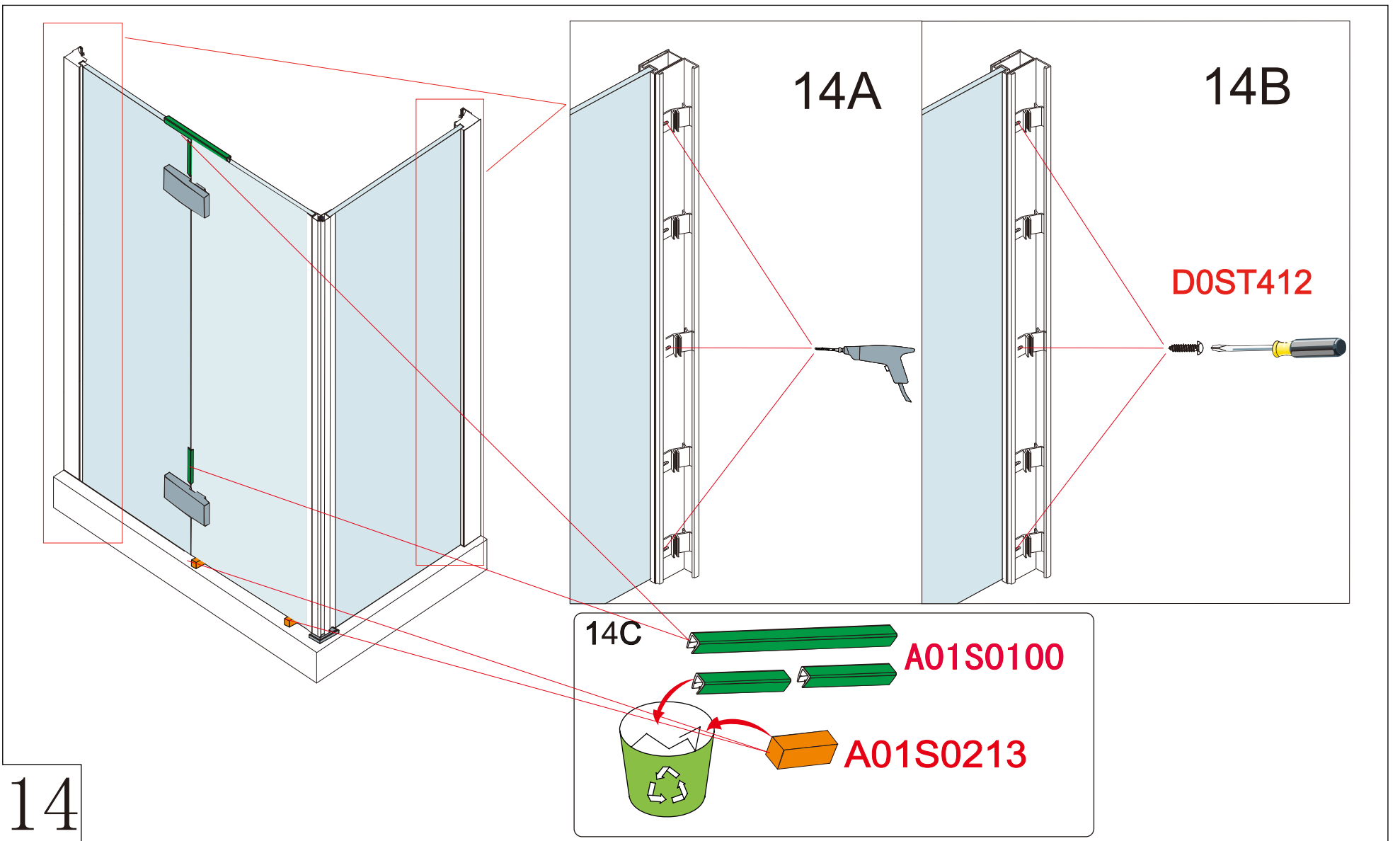
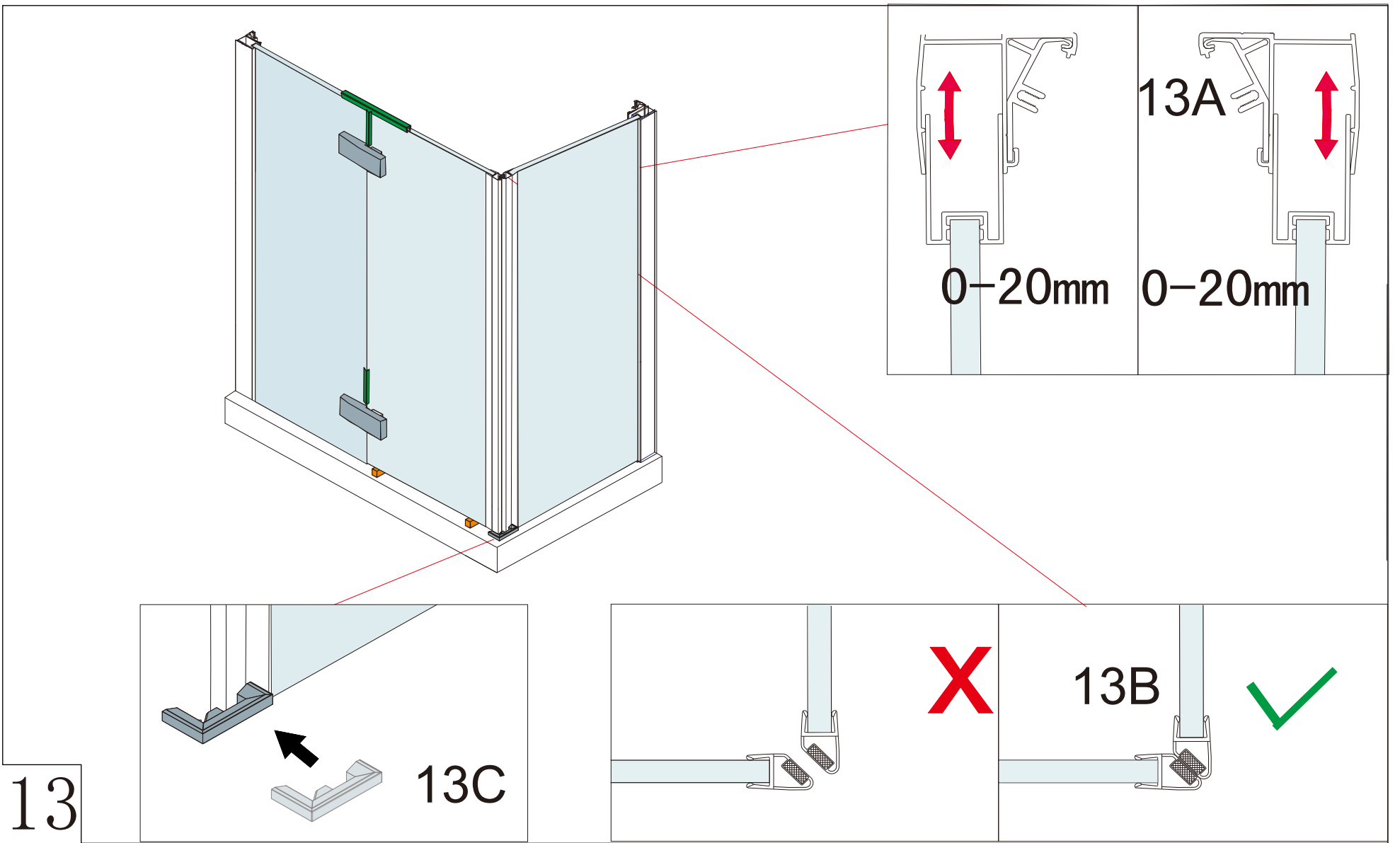
11

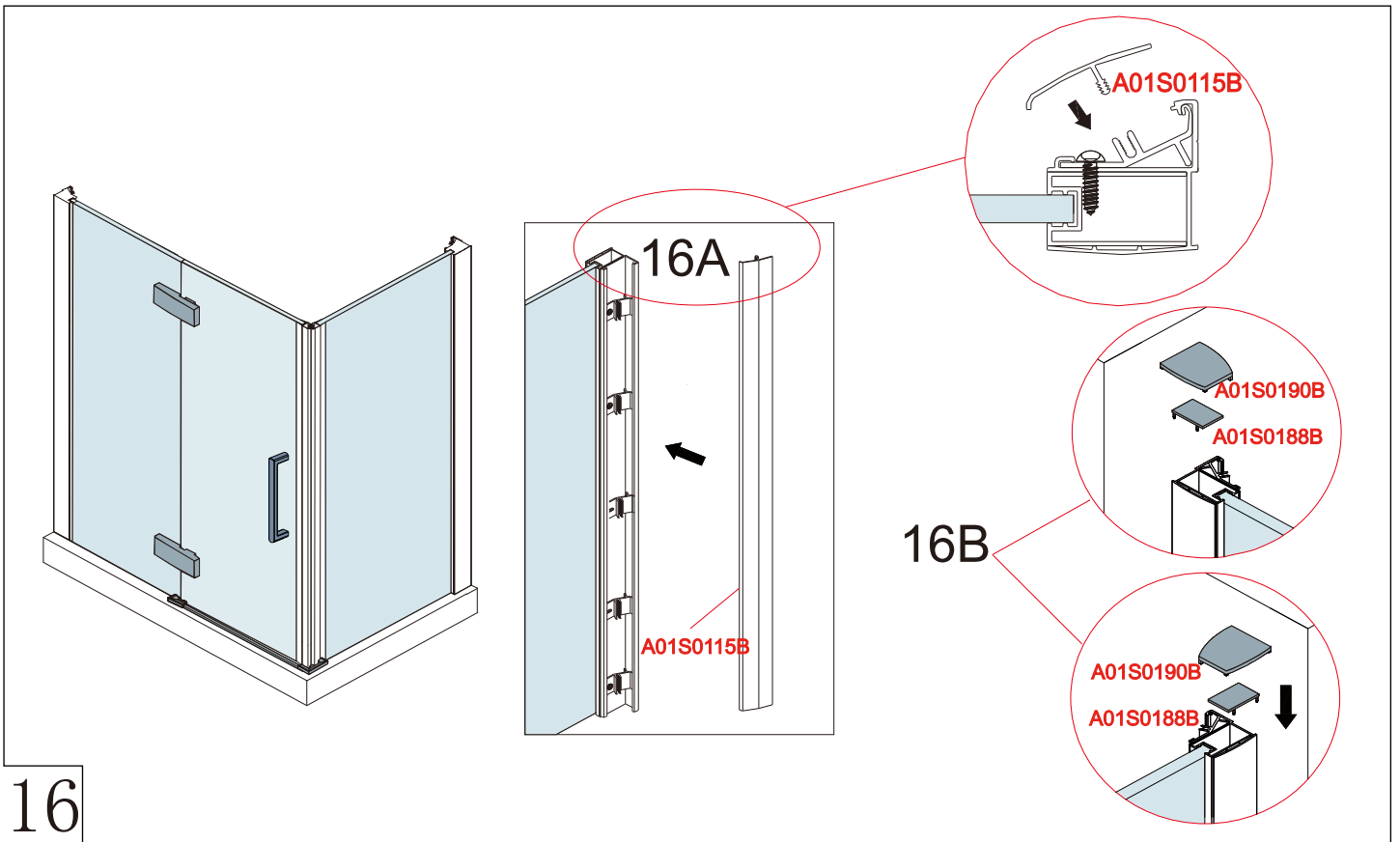
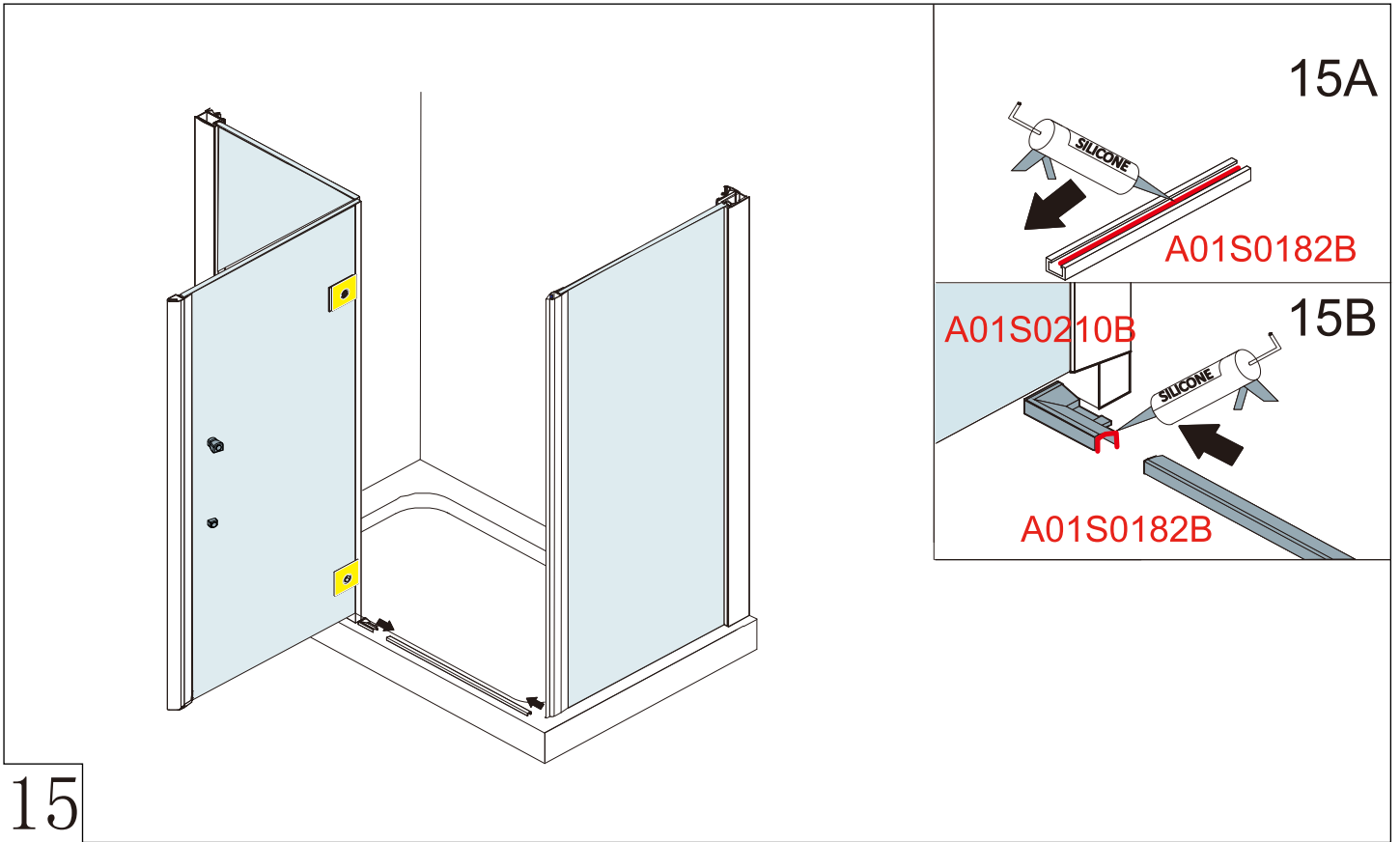


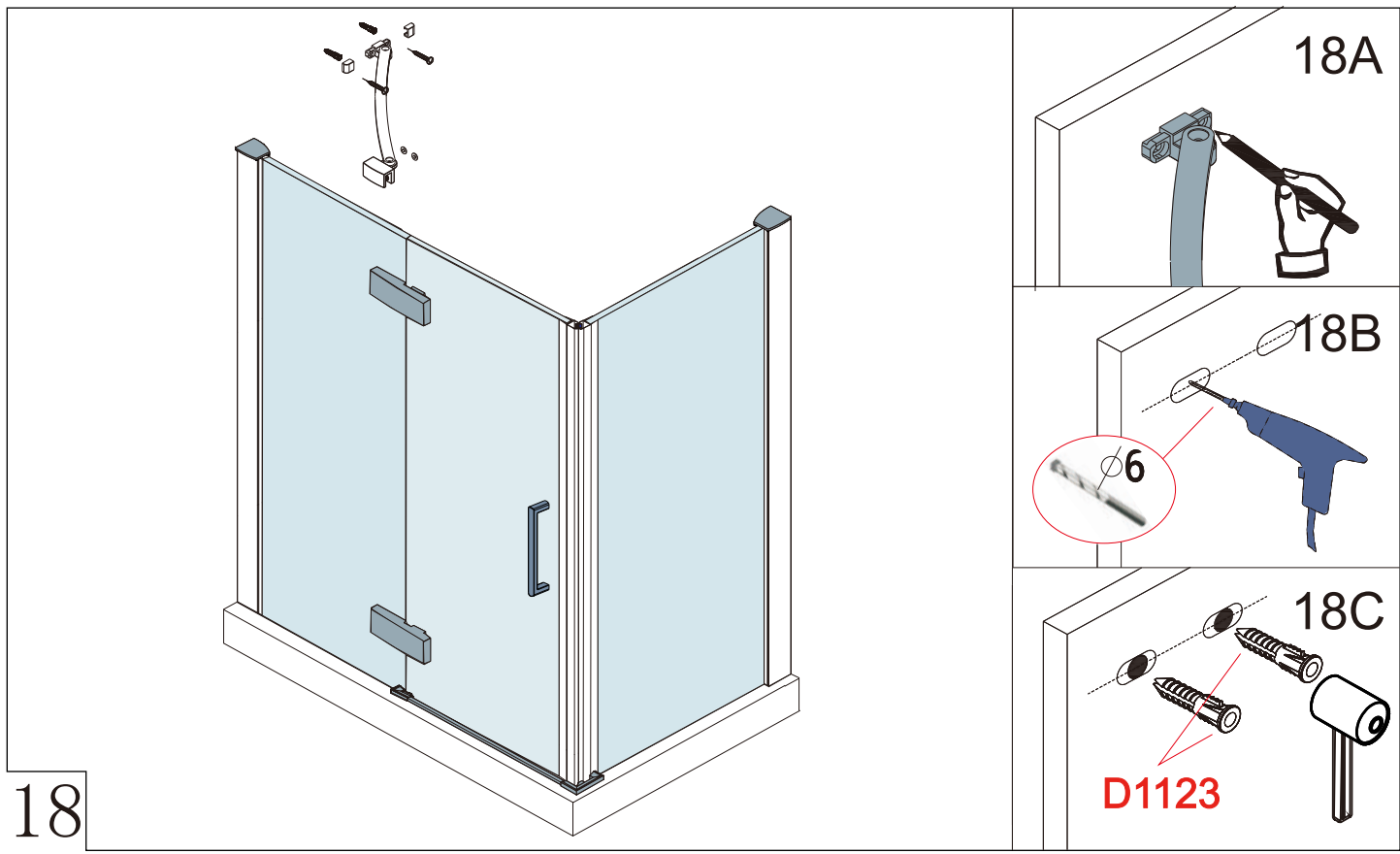
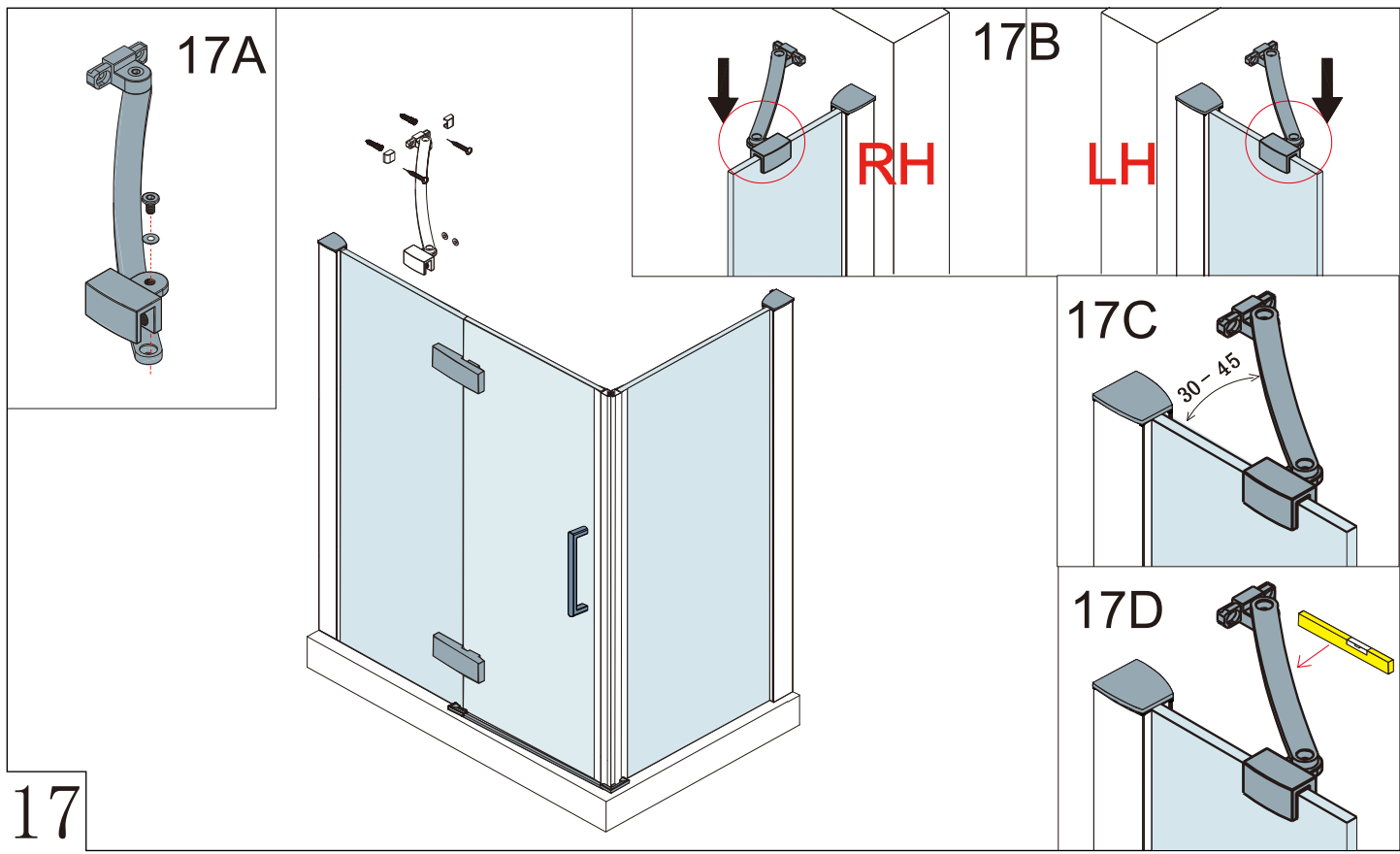
12C

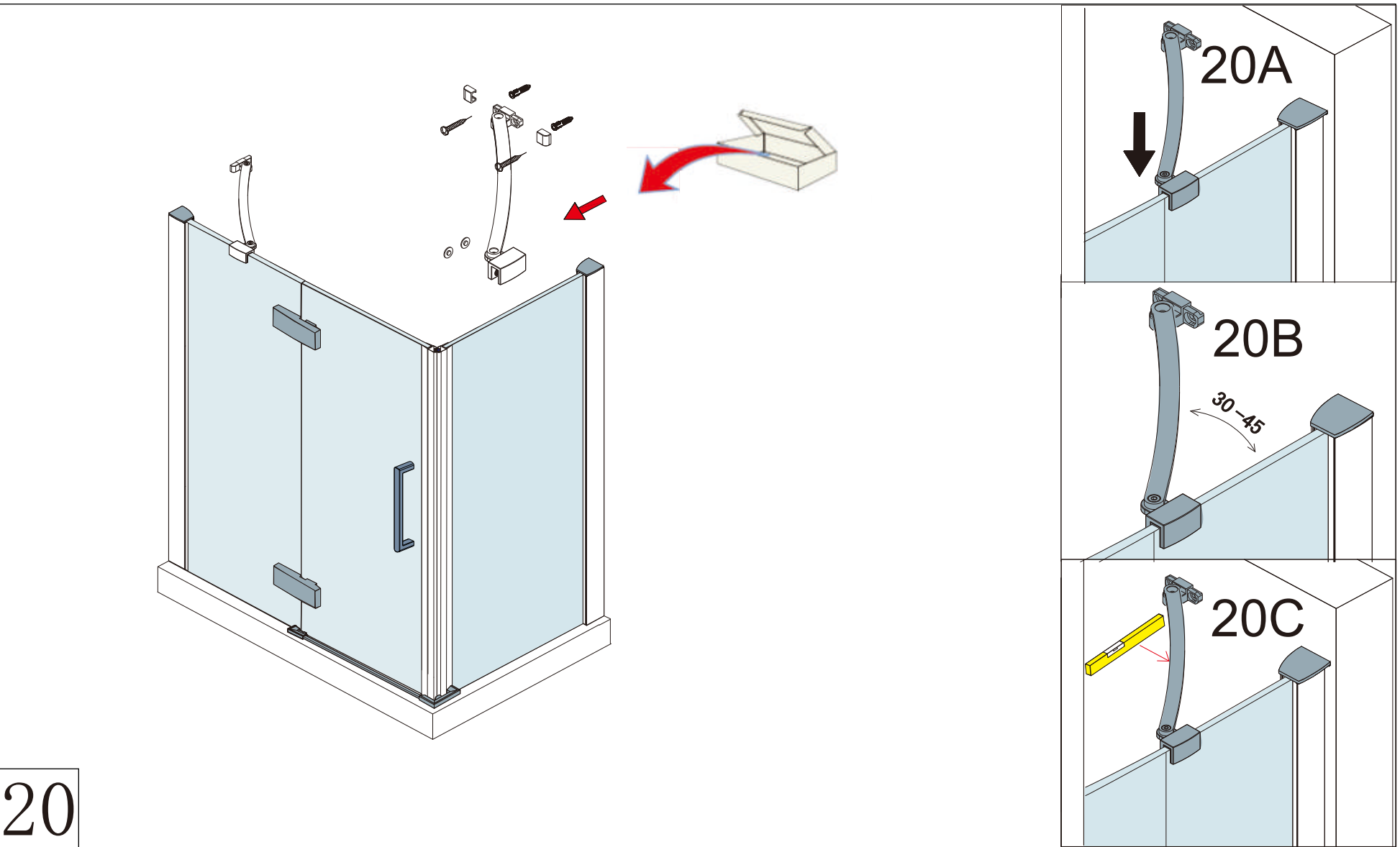
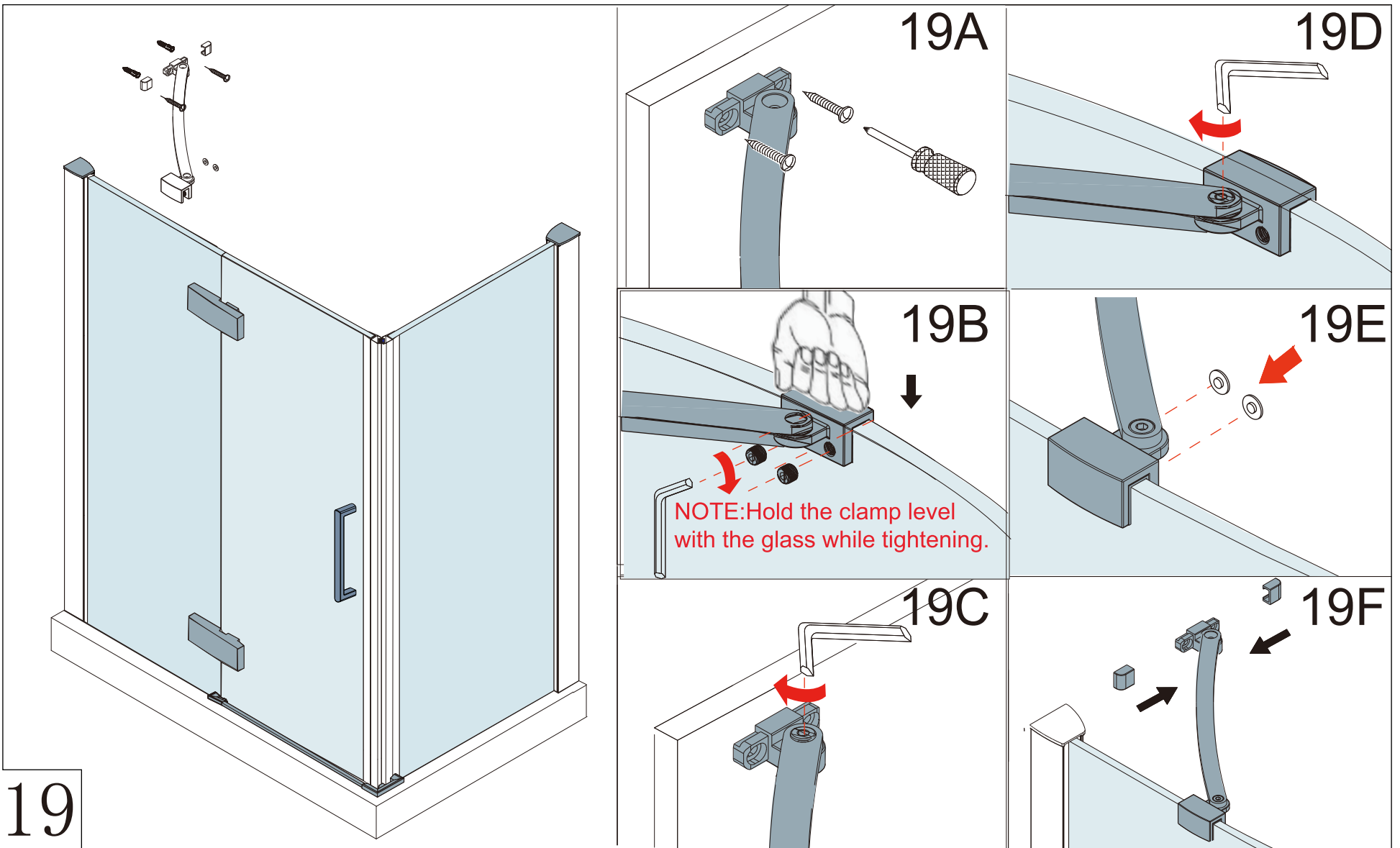


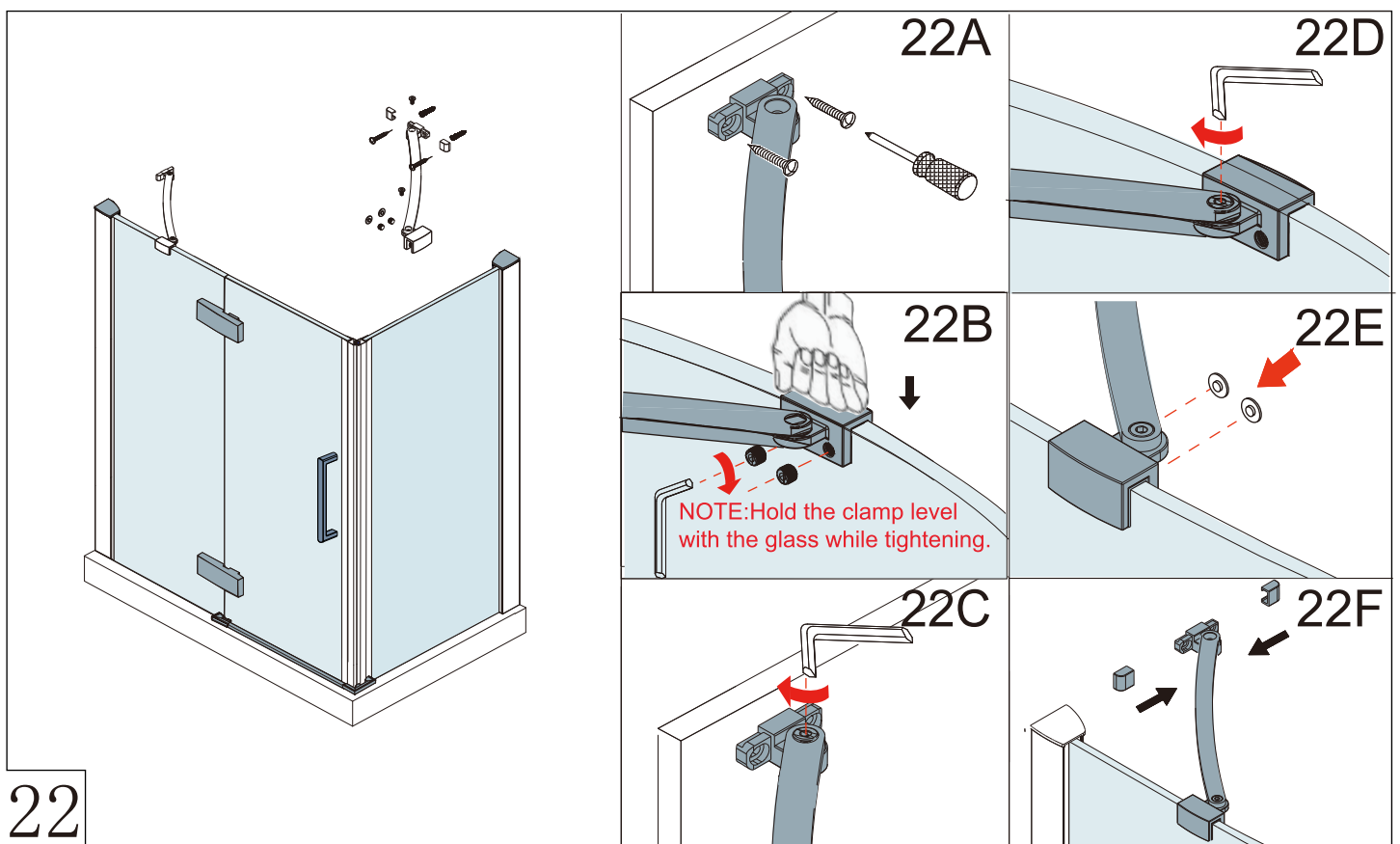
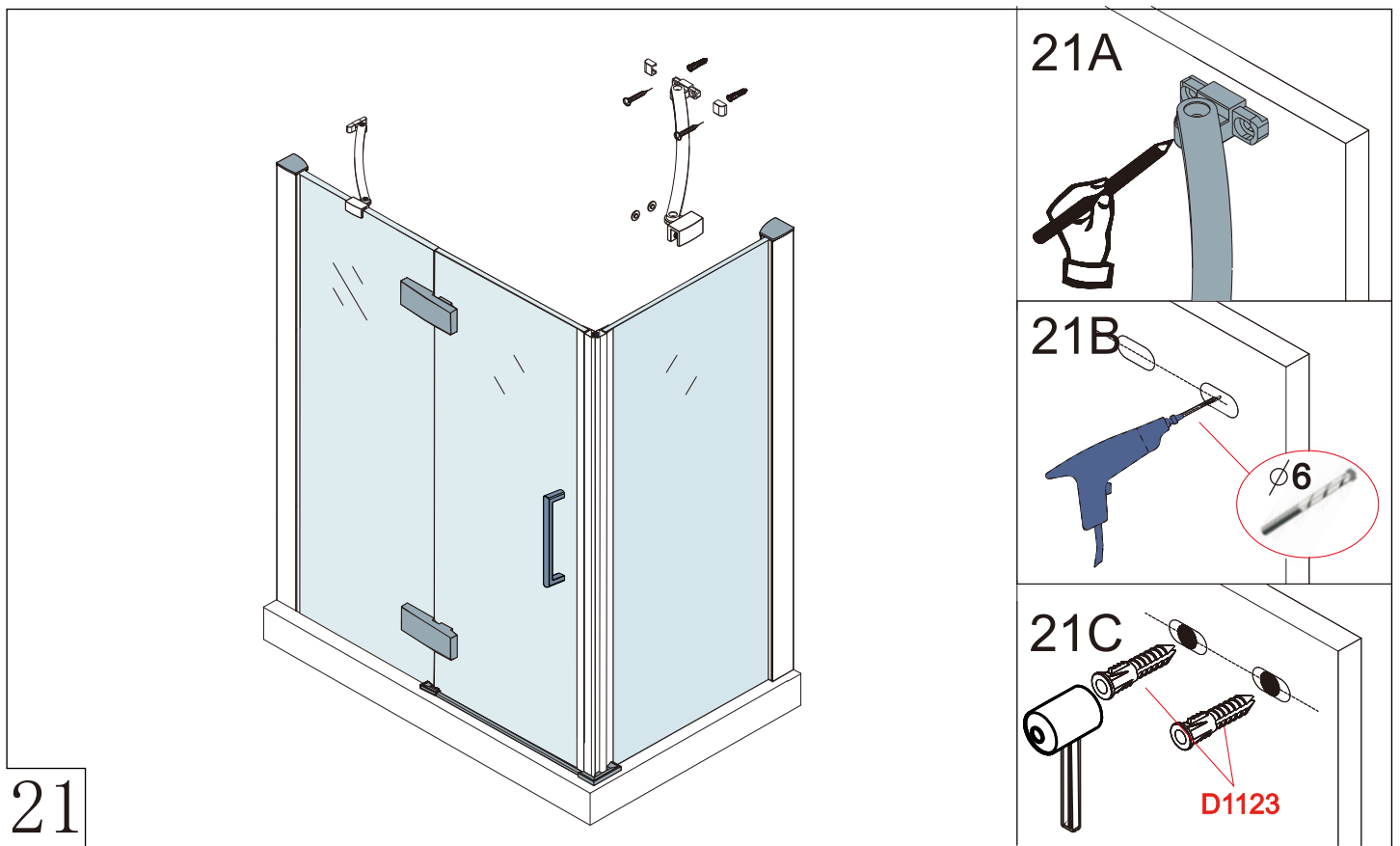
12

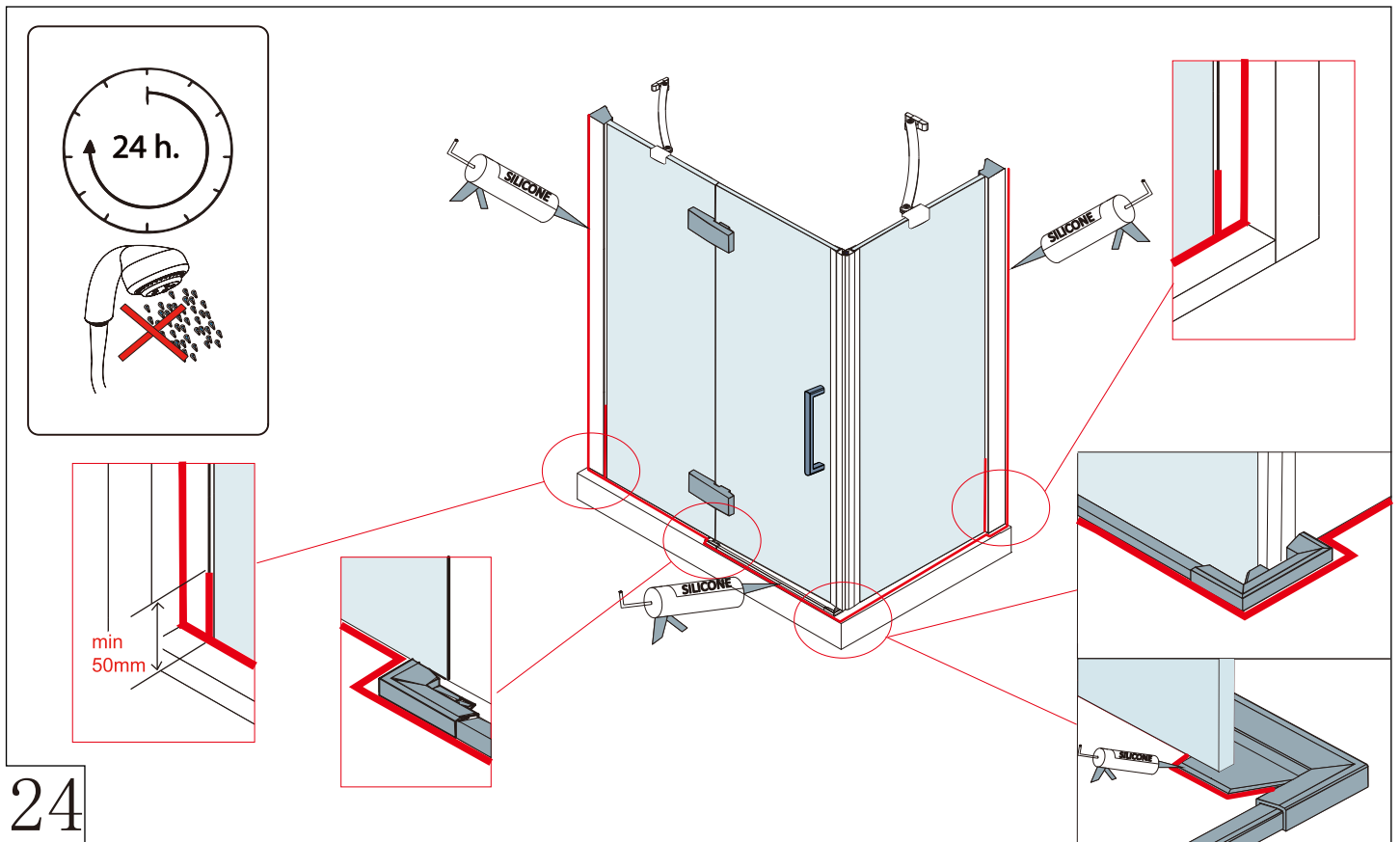
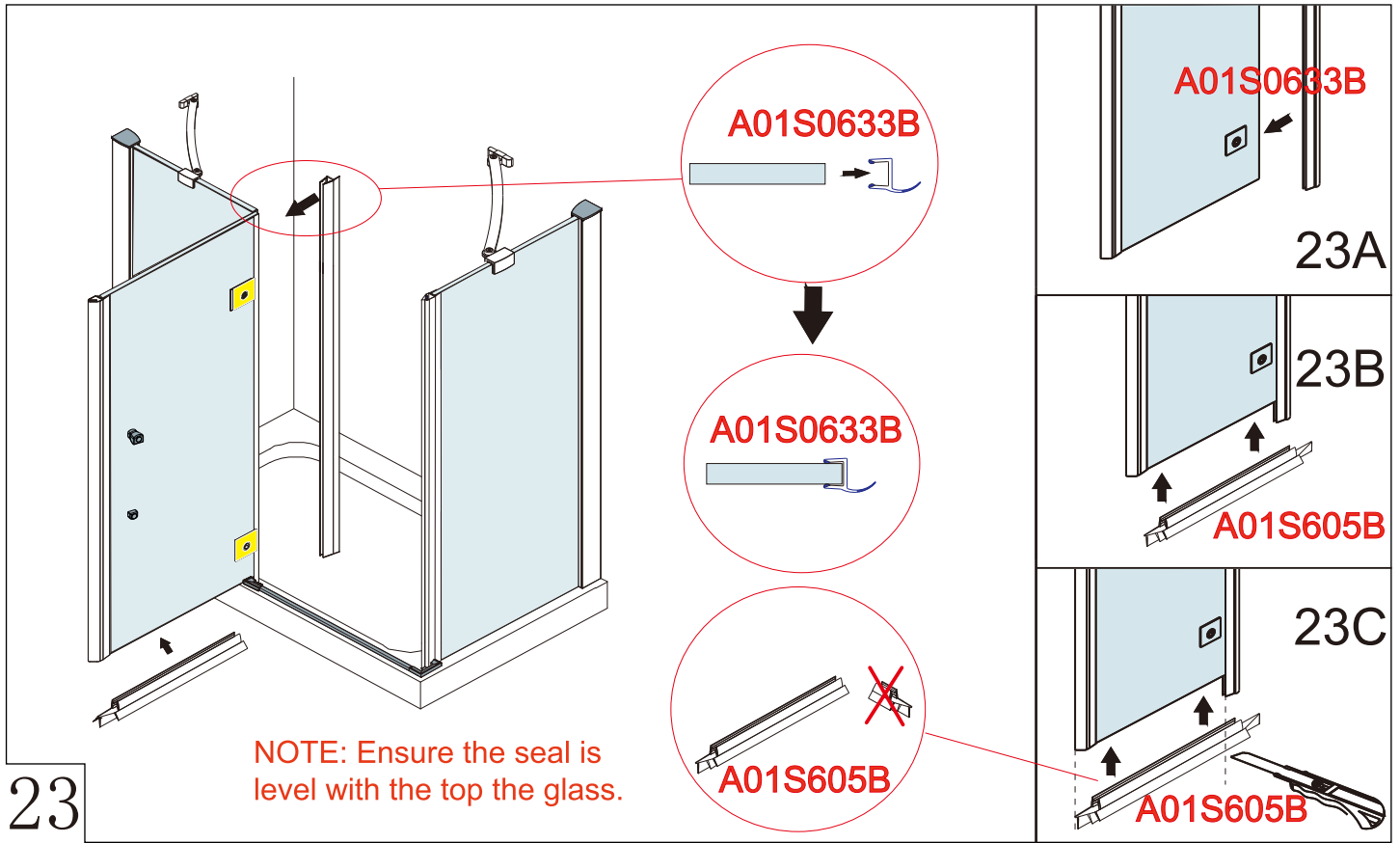












To download the Declaration of Performance (DOP) for this product please use the link below.

<http://merlynshowering.com/aftersales-support/dop-certs/>

For further information please contact IRL: 056 7791 555, UK: 08081011429