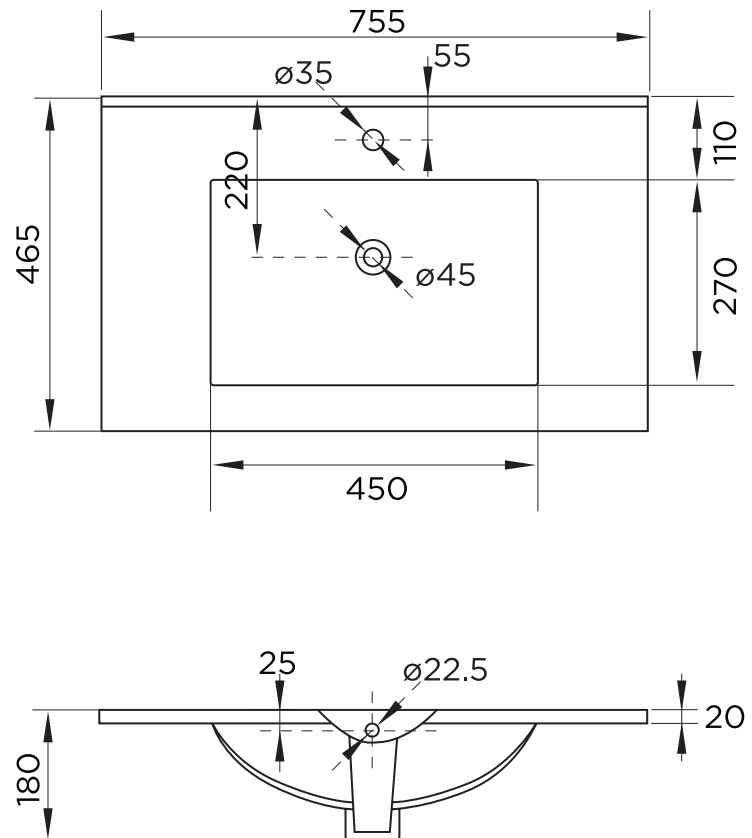


## TECHNICAL DATA SHEET

### MITO 813 BASIN



Diagrams not to scale  
All dimensions in mm tolerance of  
+/-5mm

\*Requires Vanity Unit 29515/

<b>RANGE</b>	<b>MITO</b>
PRODUCT TYPE	BASIN
<b>CODE</b>	<b>813</b>
OUTER DIMENSIONS (HxWxD)	180 x 755 x 465mm
<b>INTERNAL BASIN DIMS (HxW)</b>	<b>120 x 450 x 270mm</b>
MATERIAL	CERAMIC
<b>TAP HOLE</b>	<b>ONE TAP HOLE</b>
WASTE	NOT INCLUDED
<b>OVERFLOW</b>	<b>YES</b>
PRODUCT WEIGHT	11Kg
<b>GUARANTEE</b>	<b>5 YEARS</b>

\*Dimensions are subject to change, customers are advised to measure actual product before commencing installation.  
\*\*Fixing point dimensions are for guidance only, the positions of wall fixing must be checked when product is received.