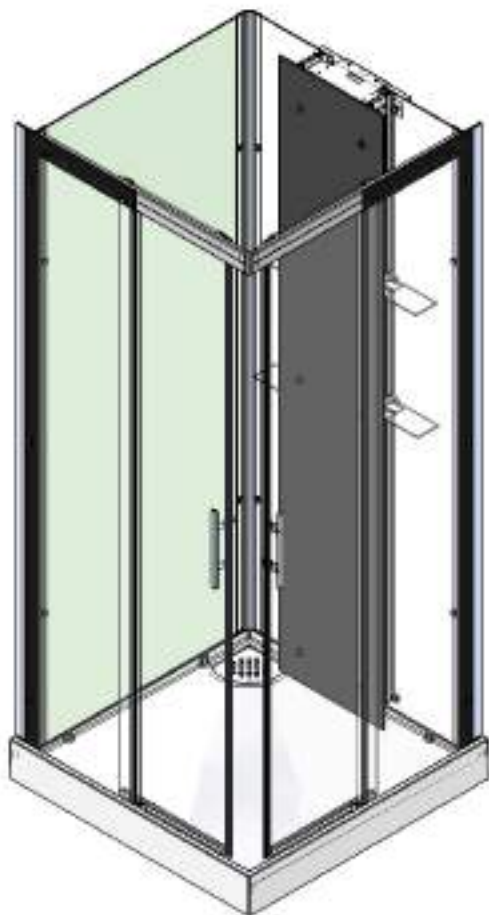
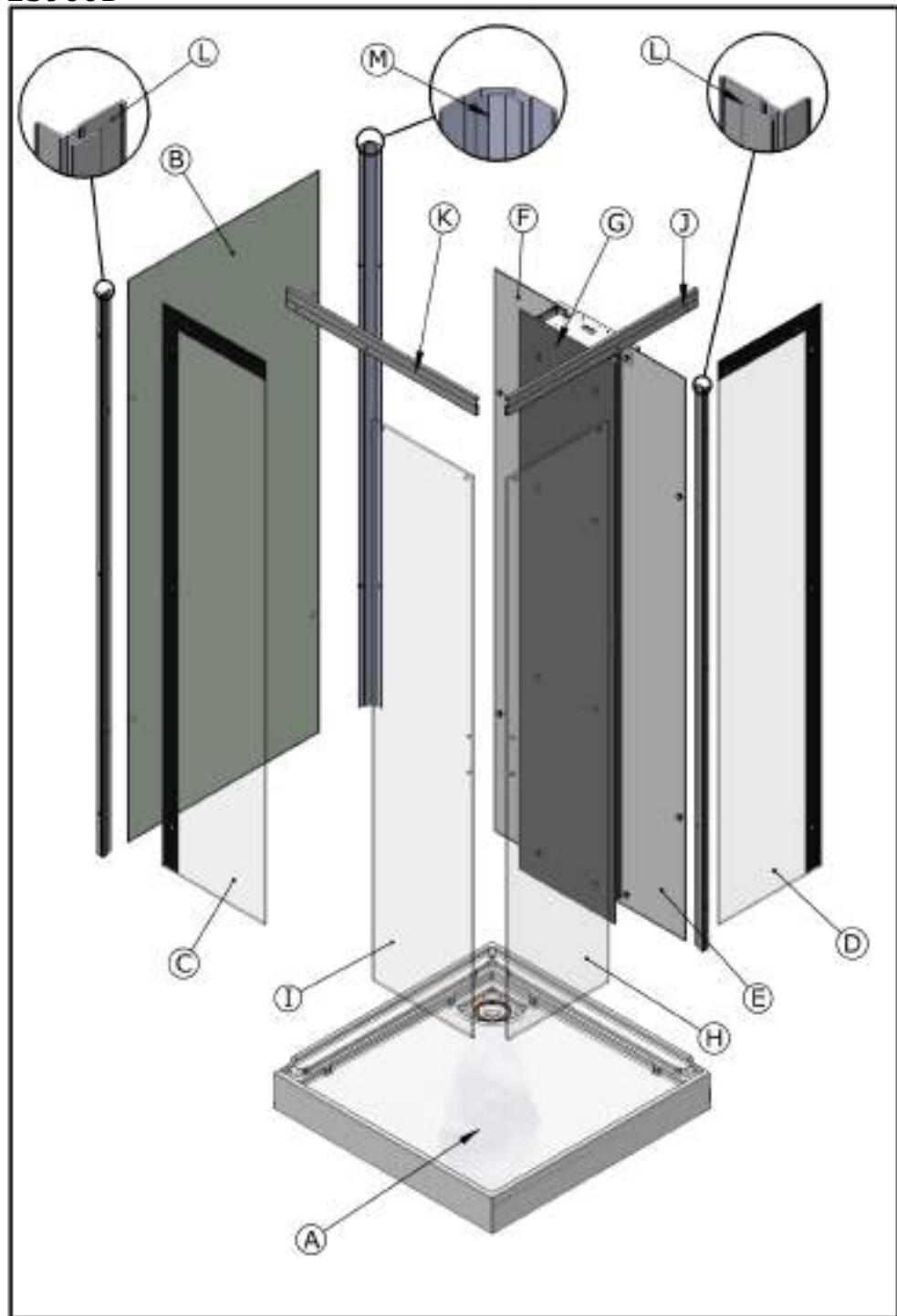


GB Installation instructions



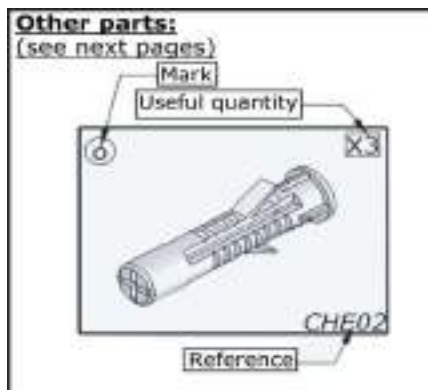
GB Check installation steps :

p.8 - p.12 - p.36

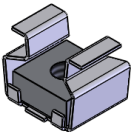
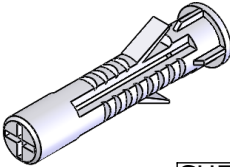
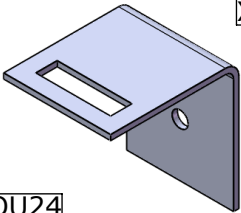
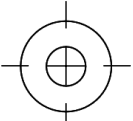
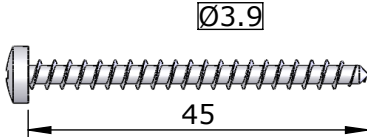
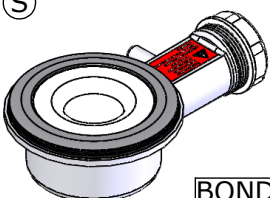
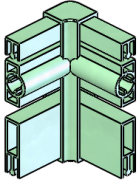
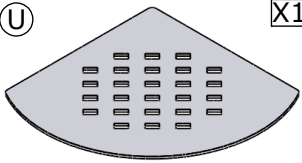
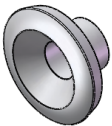
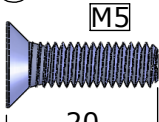
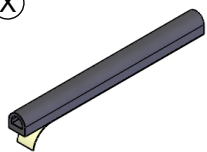
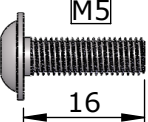
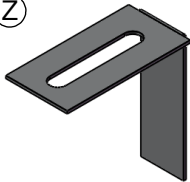
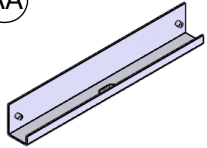
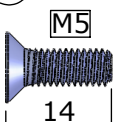
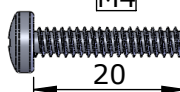



PACKAGE CODES (see marks on page 2)

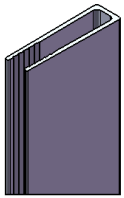
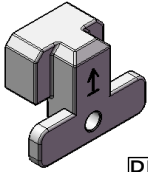

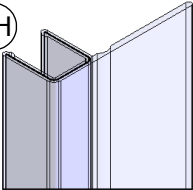
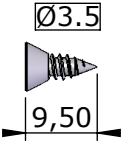

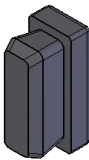
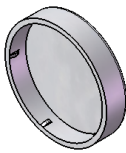
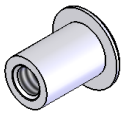
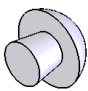
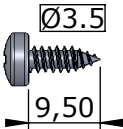
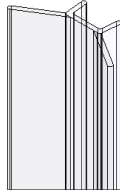
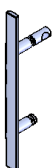
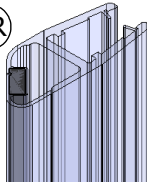
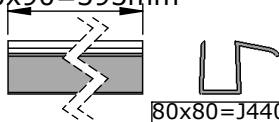
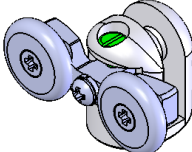
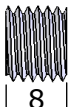
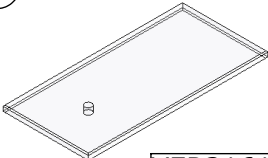
REP	80x80	90x90
A	REC204	REC203
B	C5077E	C5072E
C+D	C7741E	C6049E
E+F	C7202E	C7215E
G	CP850	
H+I	C4843E	C4841E
J+K	5902	
L	5934	
M	5933	



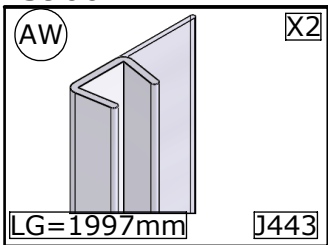
DES900B

<p>(N) X3</p>  <p>ECR46</p>	<p>(O) X3</p>  <p>CHE02</p>	<p>(P) X3</p>  <p>EQU24</p>
<p>(Q) X5</p>  <p>1=1 RON51</p>	<p>(R) X3</p>  <p>1=1 VIS17</p>	
<p>(S) X1</p>  <p>BOND16</p>	<p>(T) X1</p>  <p>PPL353</p>	<p>(U) X1</p>  <p>TOL12</p>
<p>(V) X22</p>  <p>ENT19</p>	<p>(W) X18</p>  <p>1=1 VIS10</p>	<p>(X) X2</p>  <p>J446</p>
<p>(Y) X3</p>  <p>1=1 VIS195</p>	<p>(Z) X3</p>  <p>EQU50</p>	<p>(AA) X2</p>  <p>SUP63</p>
<p>(AB) X4</p>  <p>1=1 VIS159</p>	<p>(AC) X4</p>  <p>1=1 VIS09</p>	<p>(AD) X4</p>  <p>ECR14</p>

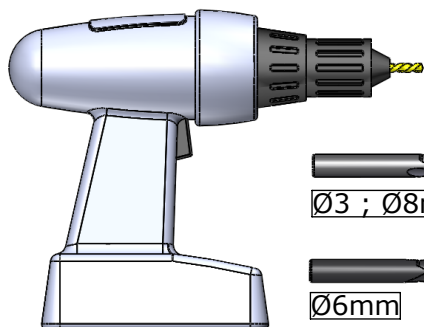
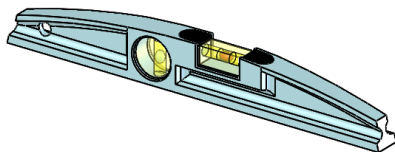
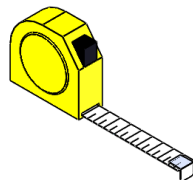
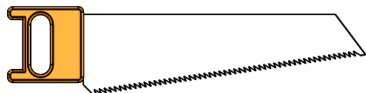
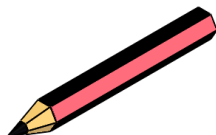
The quantities given are what are required for the installation. There may be some surplus parts in the package provided.

<p>(AE)  X2</p> <p>PFL42</p>	<p>(AF)  X1</p> <p>PPL550</p>	<p>(AG)  X1</p> <p>PPL523</p> <p>PPL522</p>
<p>(AH)  X2</p> <p>LG=1925mm</p> <p>J418</p>	<p>(AI)  X2</p> <p>Ø3.5</p> <p>9,50</p> <p>1=1</p> <p>VIS22</p>	<p>(AJ)  X2</p> <p>PPL520</p>
<p>(AK)  X2</p> <p>BUT22</p>	<p>(AL)  X22</p> <p>CAP07</p>	<p>(AM)  X4</p> <p>ECR31</p>
<p>(AN)  X2</p> <p>BUT20</p>	<p>(AO)  X4</p> <p>Ø3.5</p> <p>9,50</p> <p>1=1</p> <p>VIS01</p>	<p>(AP)  X2</p> <p>LG=1970mm</p> <p>J540</p>
<p>(AQ)  X2</p> <p>S0948</p>	<p>(AR)  X1</p> <p>LG=1995mm</p> <p>AI038</p> <p>AI039</p>	<p>(AS)  X2</p> <p>80x80=345mm</p> <p>90x90=393mm</p> <p>80x80=J440</p> <p>90x90=J439</p>
<p>(AT)  X4</p> <p>ROU21</p>	<p>(AU)  X2</p> <p>M10</p> <p>8</p> <p>1=1</p> <p>VIS07</p>	<p>(AV)  X4</p> <p>VER2161</p>

DES900B



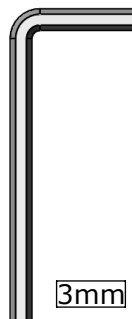
REQUIRED TOOLS



Ø3 ; Ø8mm



Ø6mm



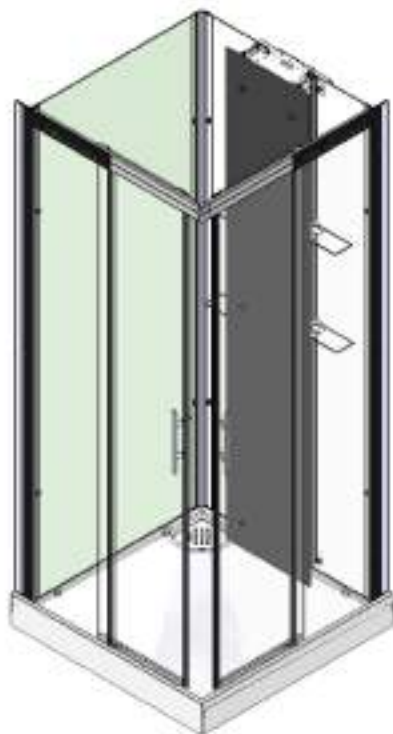
3mm



X2



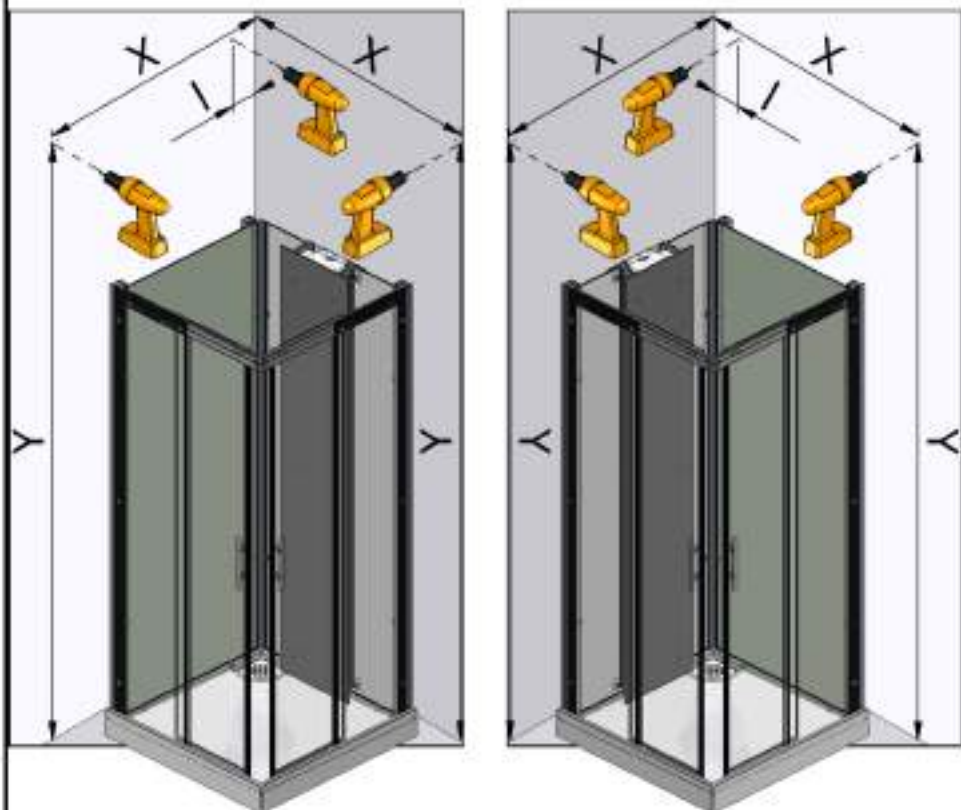
The quantities given are what are required for the installation. There may be some surplus parts in the package provided.



REVERSIBILITY**LEFT HAND****RIGHT HAND**

This cubicle can be installed either left or right hand. These installation instructions show a right hand installation.

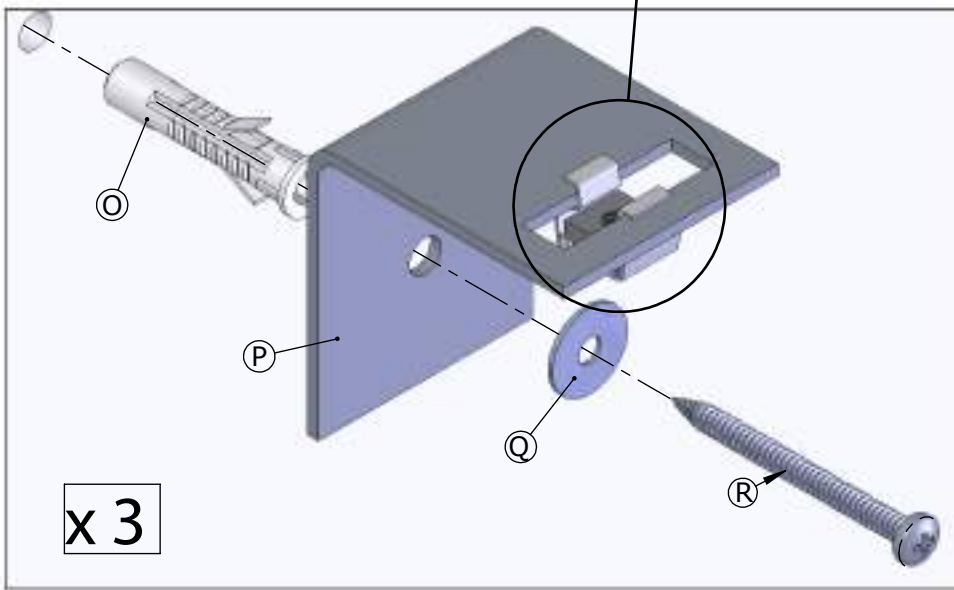
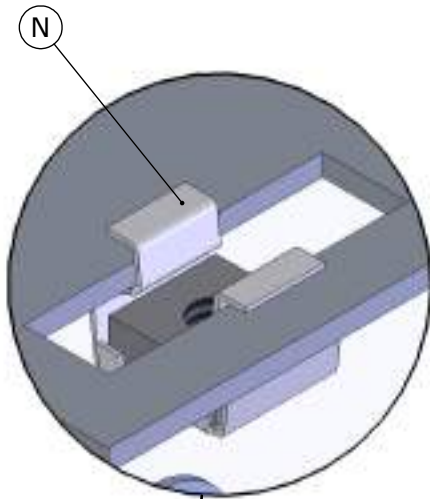
01

Ø6 mm



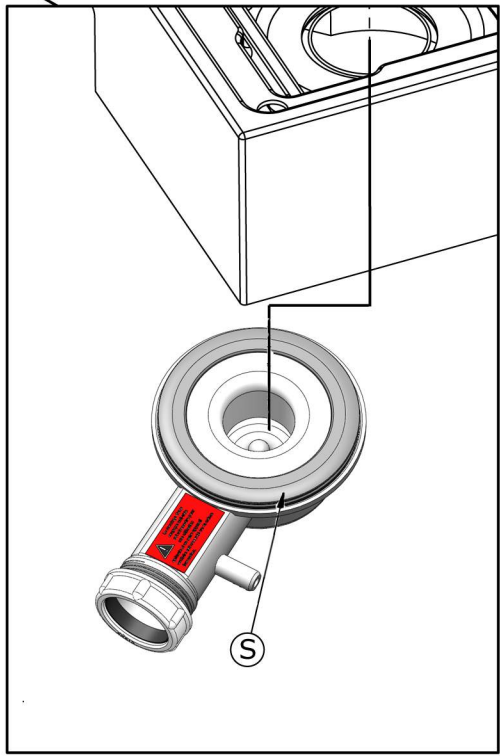
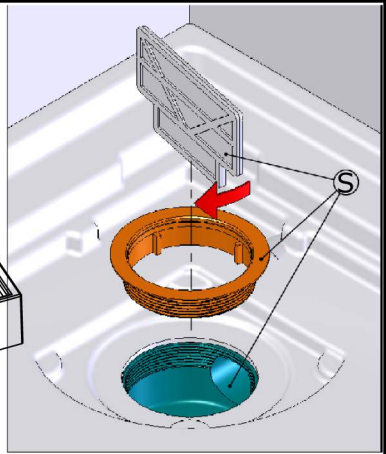
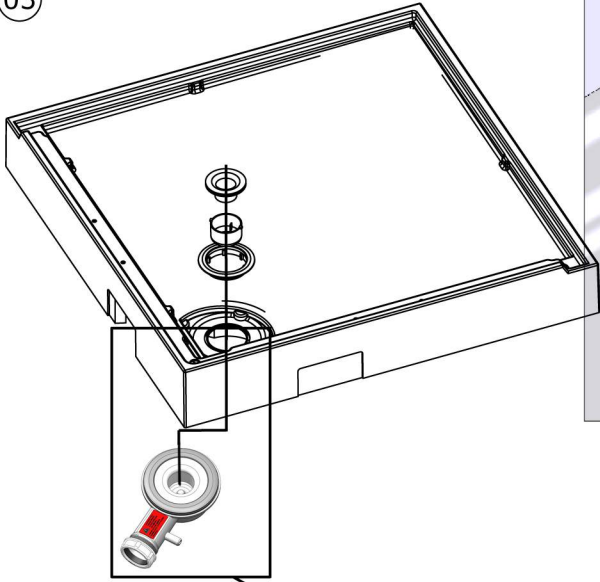
	80x80	90x90
X	74 cm	84 cm
Y	 206 cm	 207 cm
l	10 cm	

02

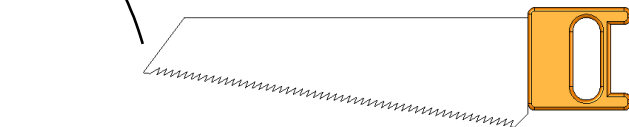
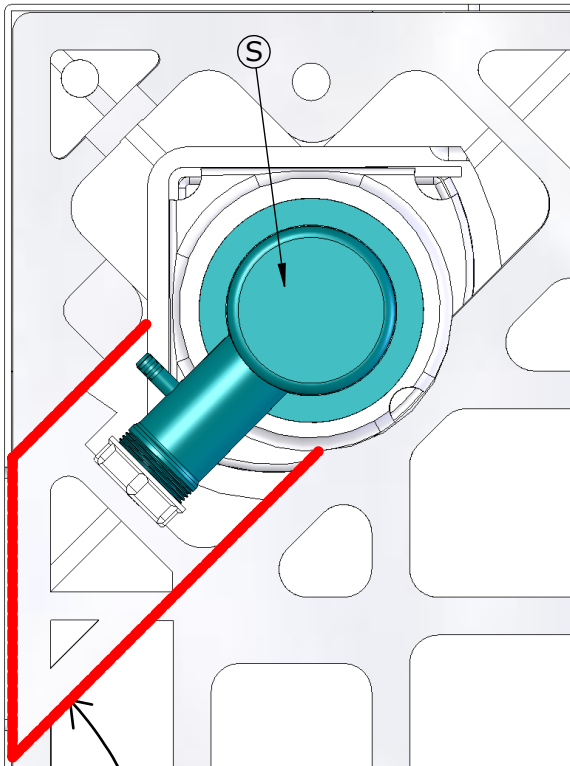


x 3

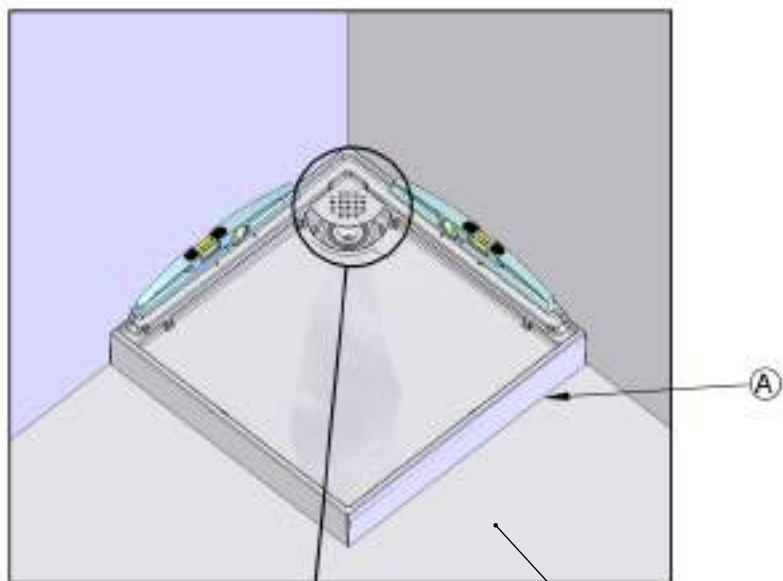
03



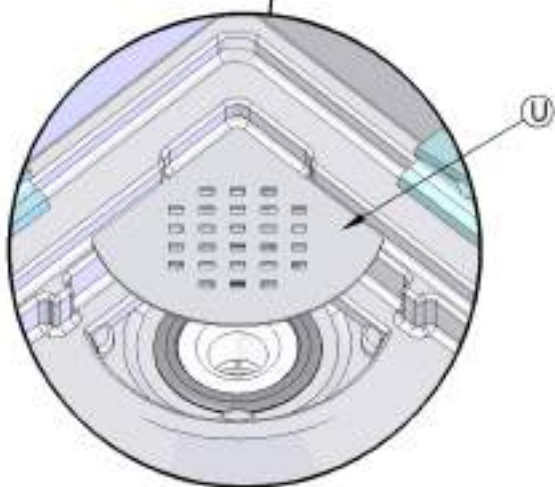
04



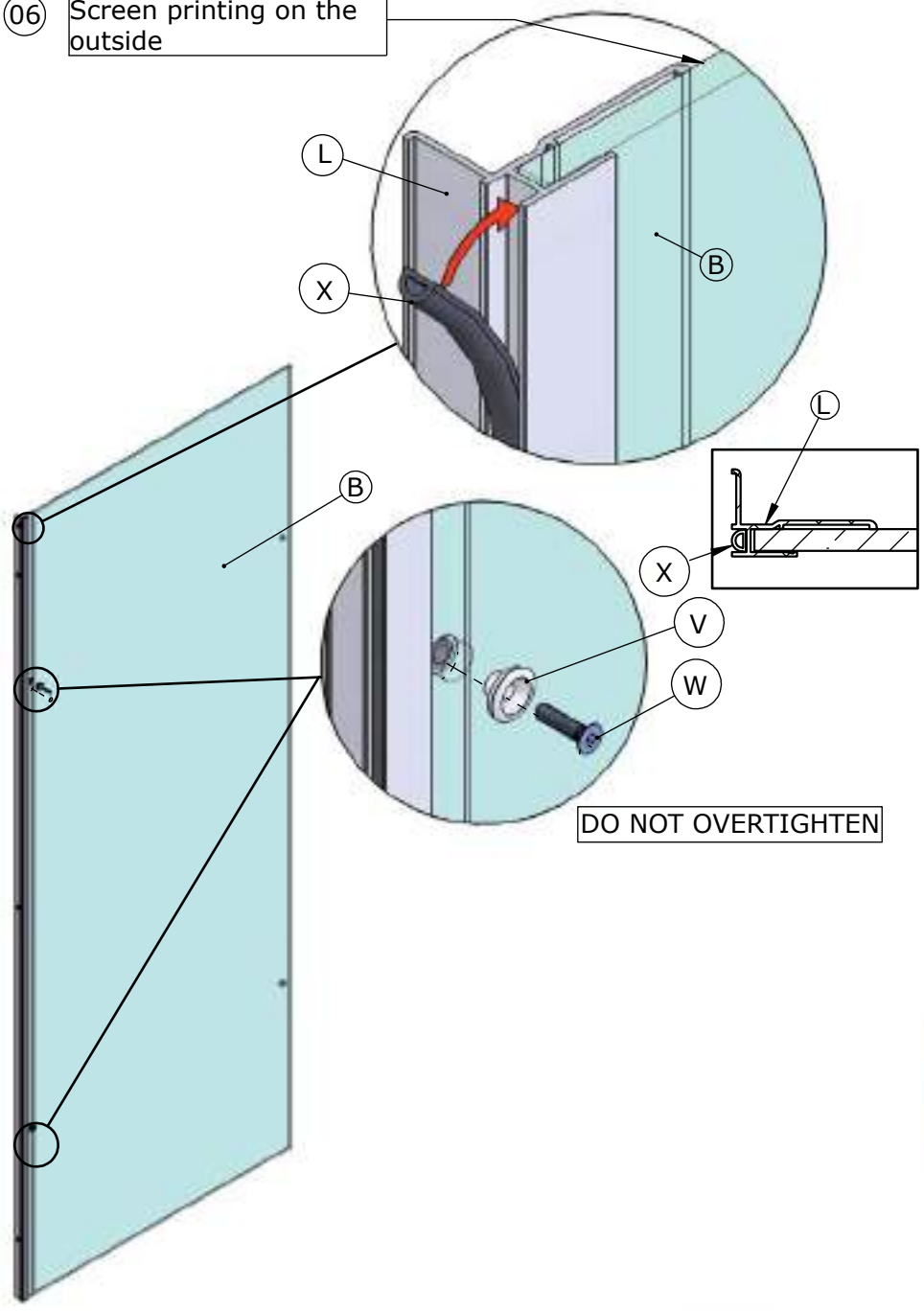
05



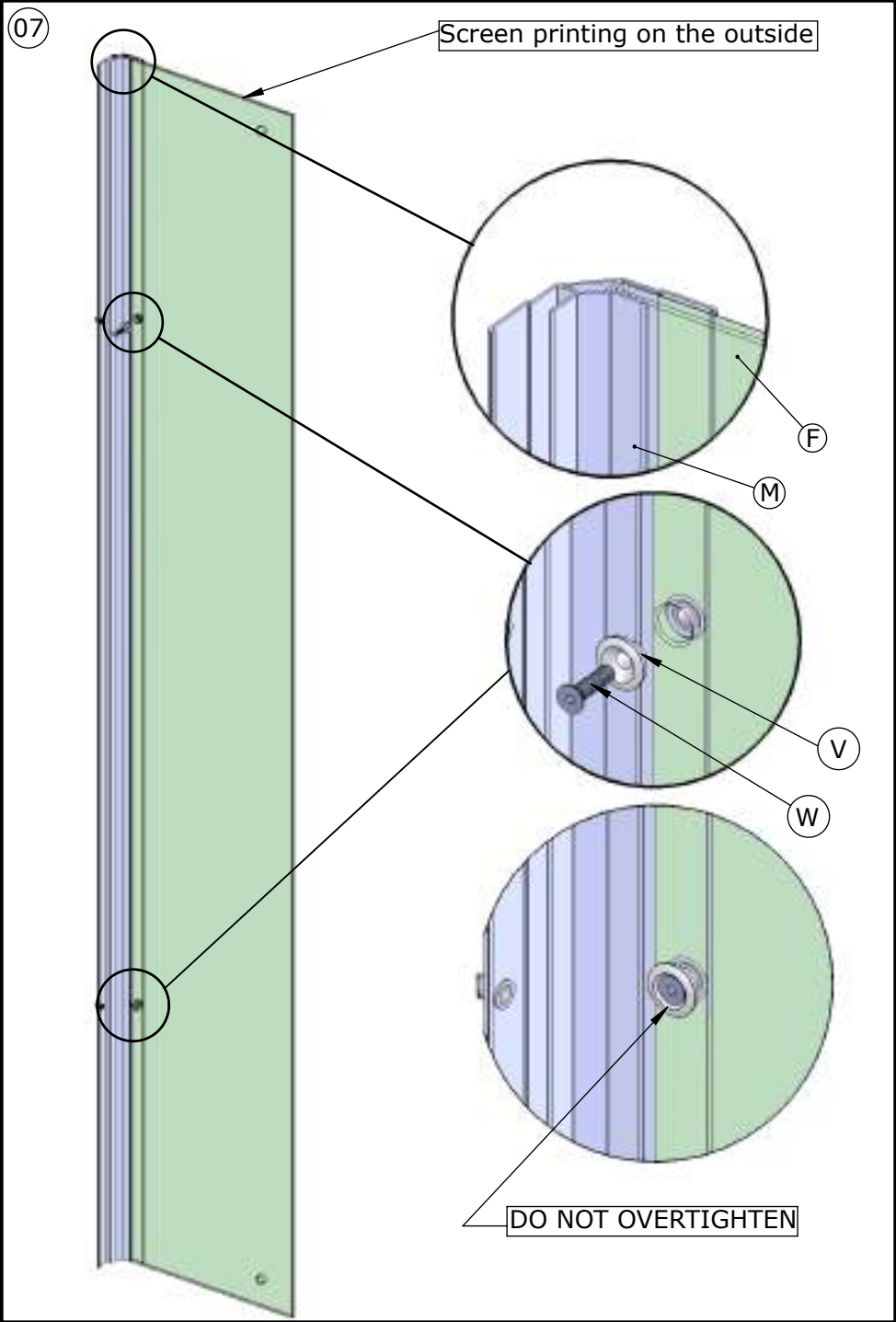
The underlying surface
must be perfectly rigid

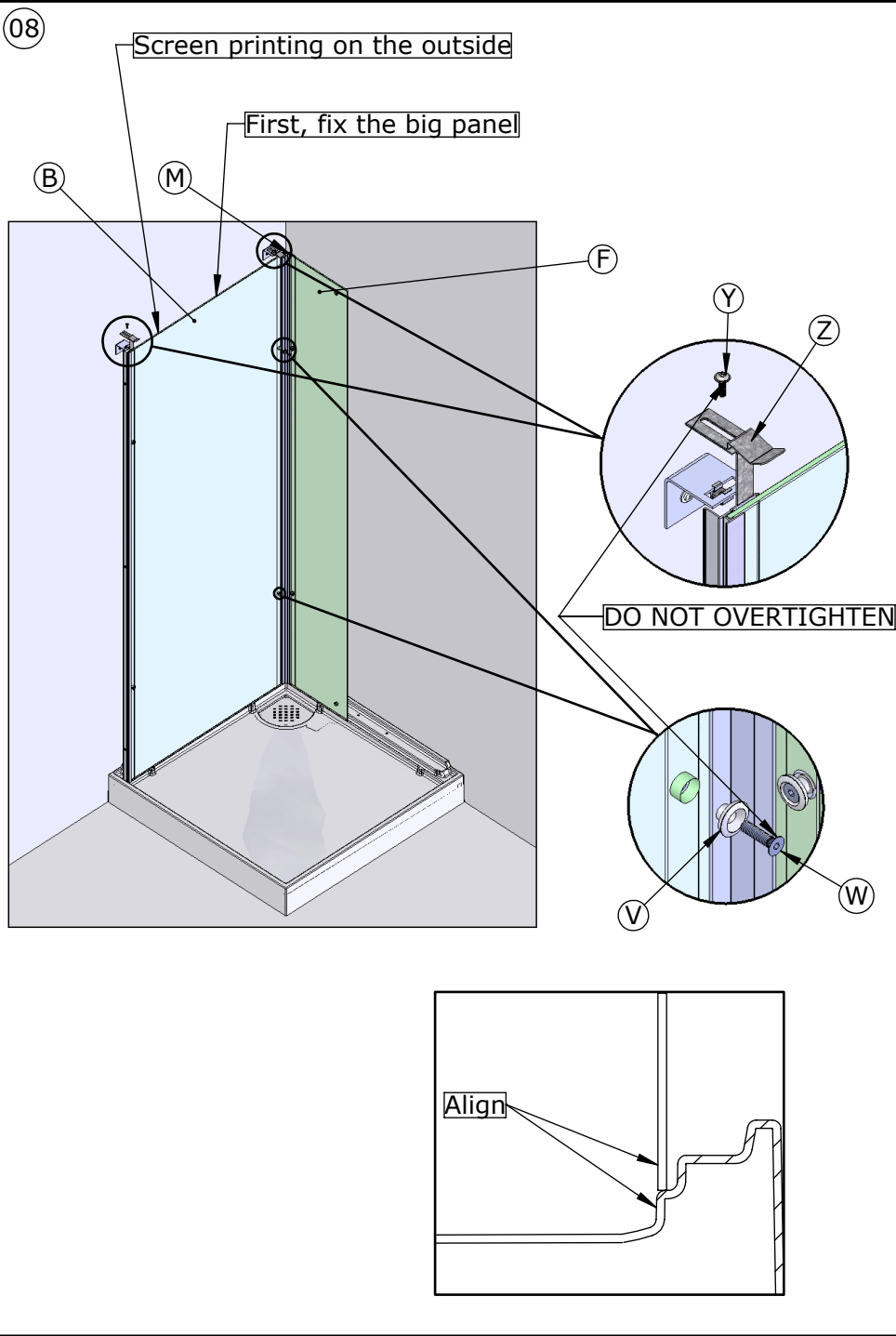


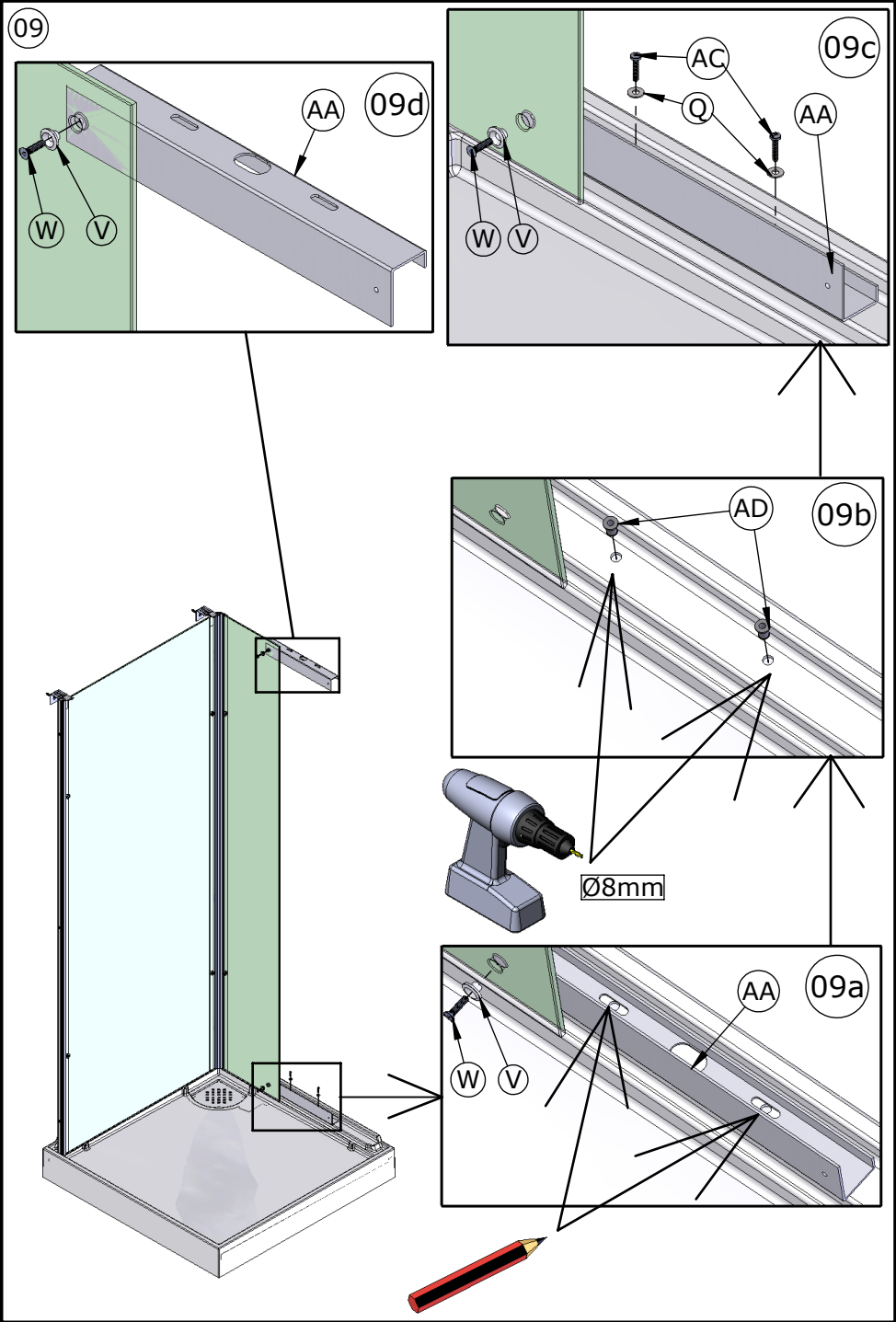
06 Screen printing on the outside

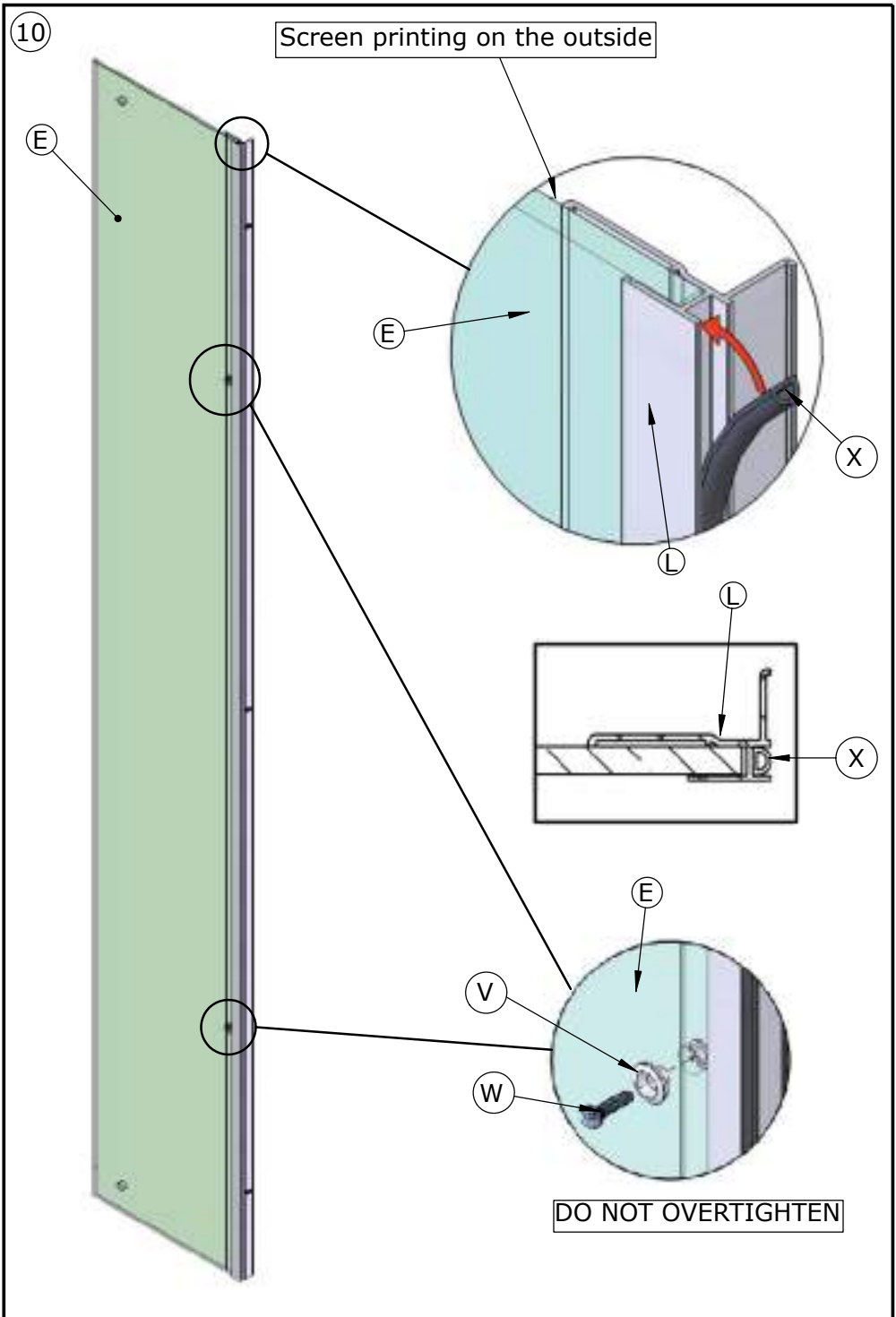


DO NOT OVERTIGHTEN



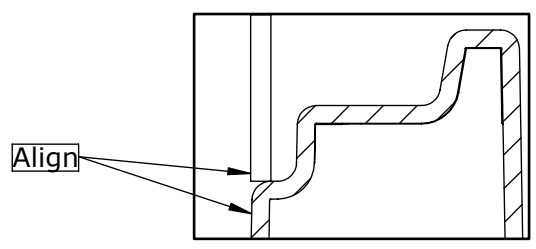
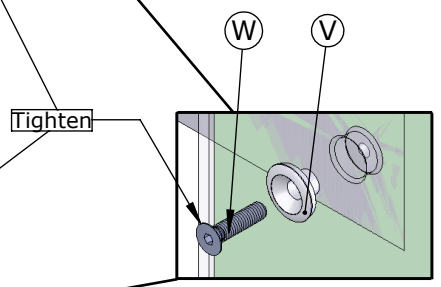
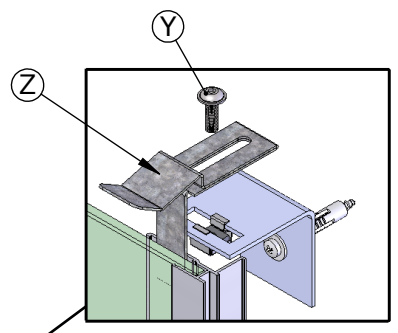
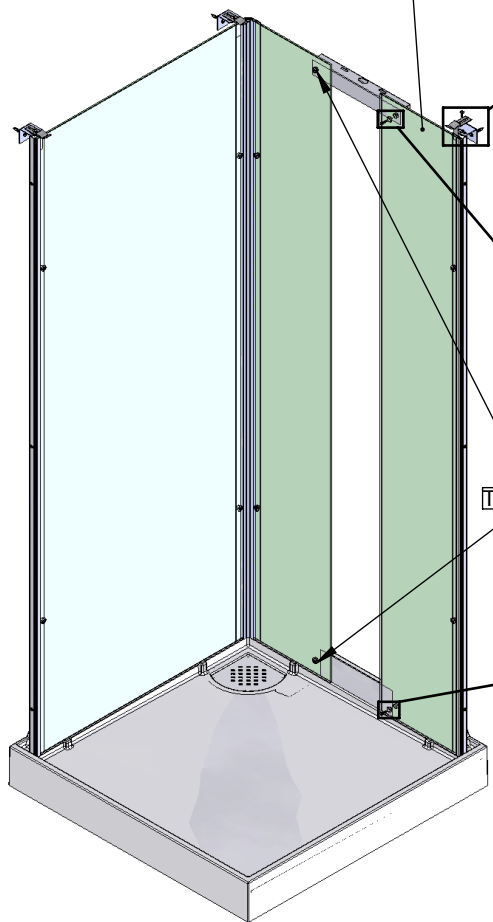






11

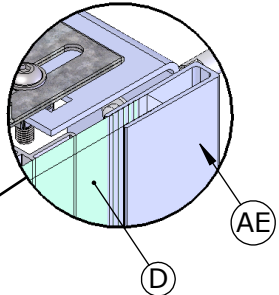
Screen printing on the outside



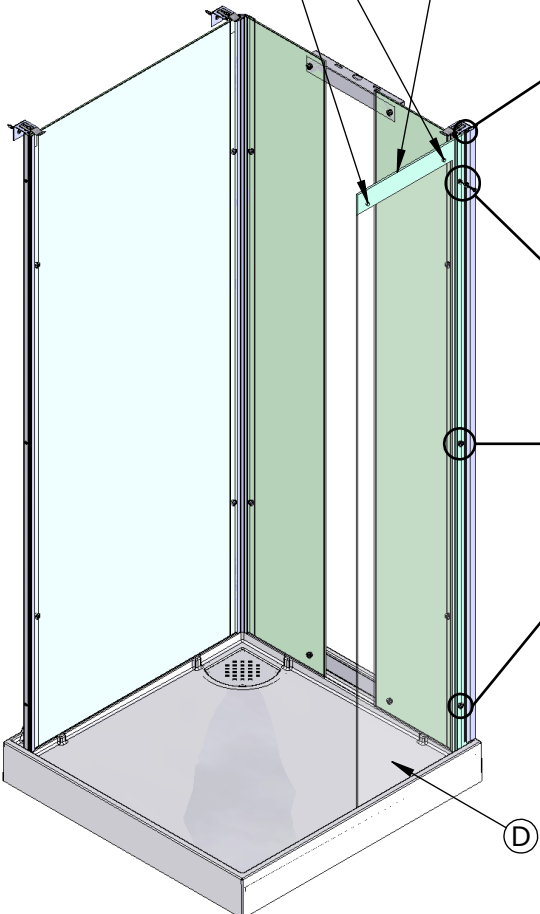
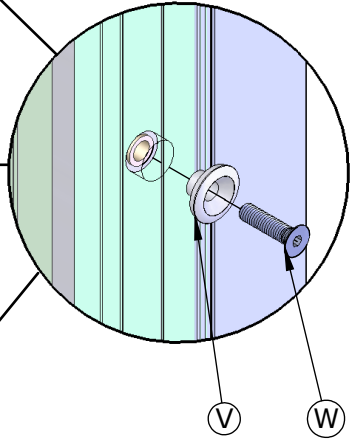
12

Screen printing inside

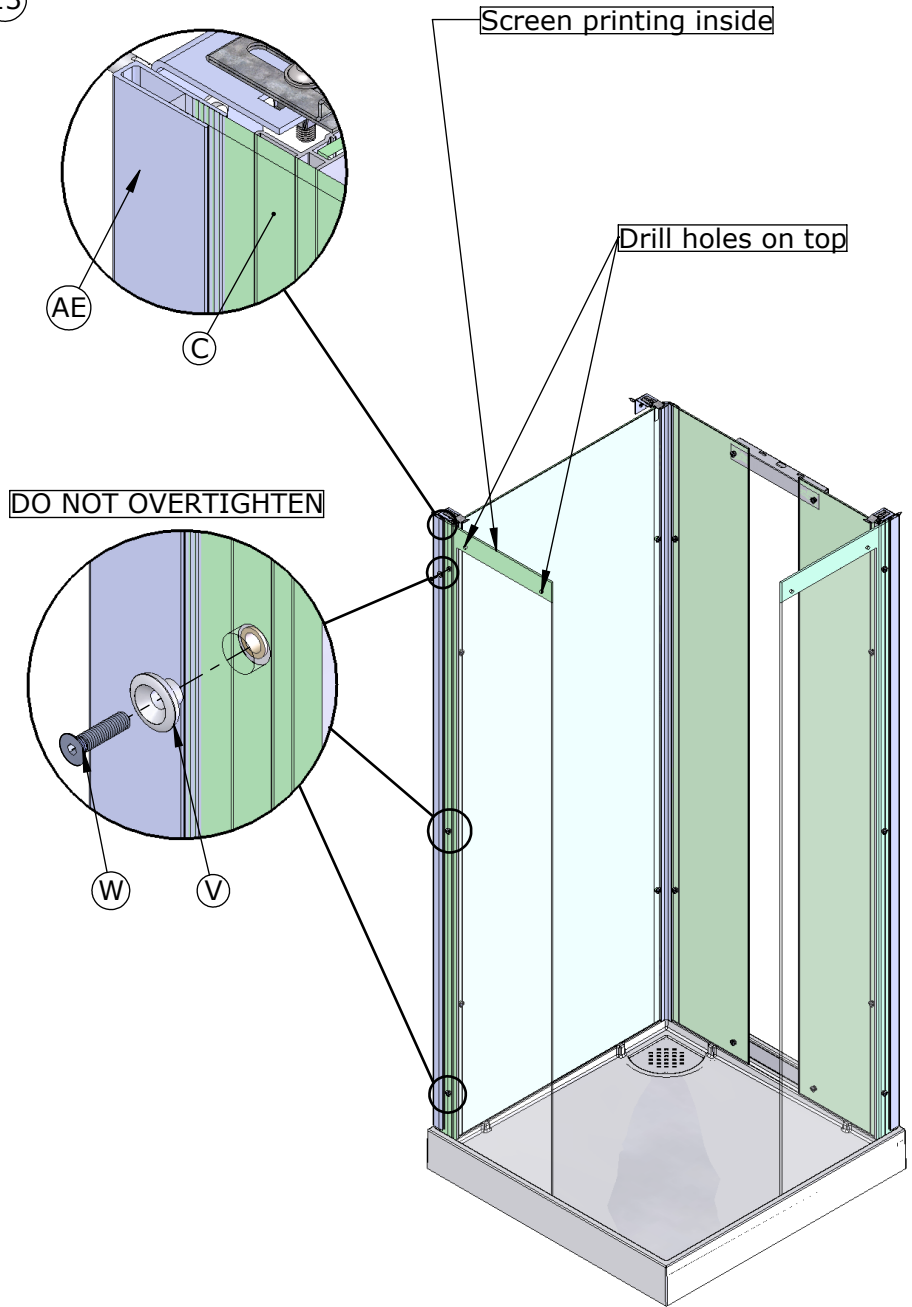
Drill holes on top



DO NOT OVERTIGHTEN



13



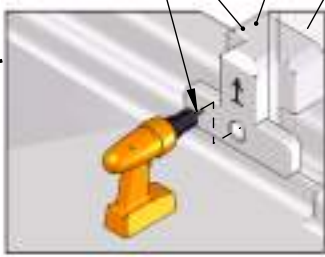
14

Template for the correct positioning

Ø8 mm

AF

C

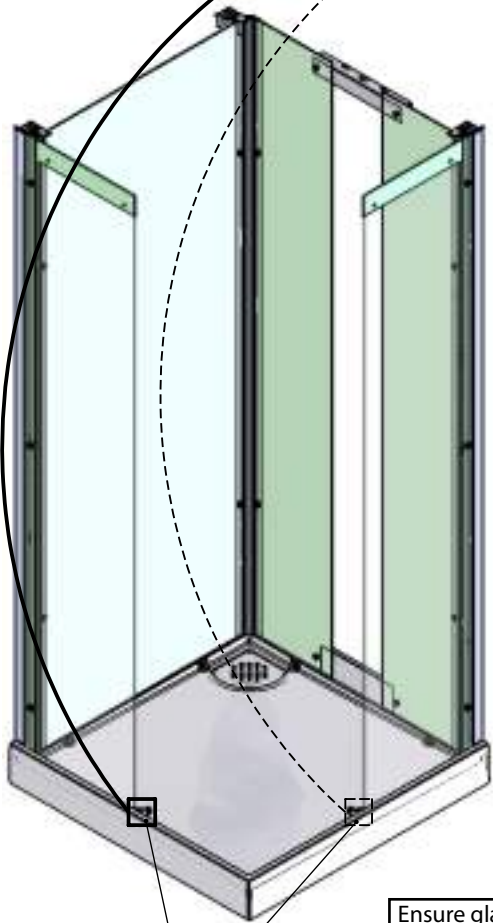
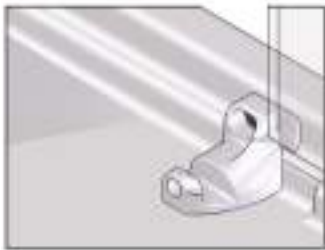
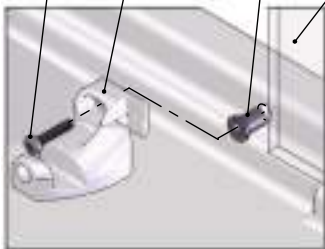


AC

AG

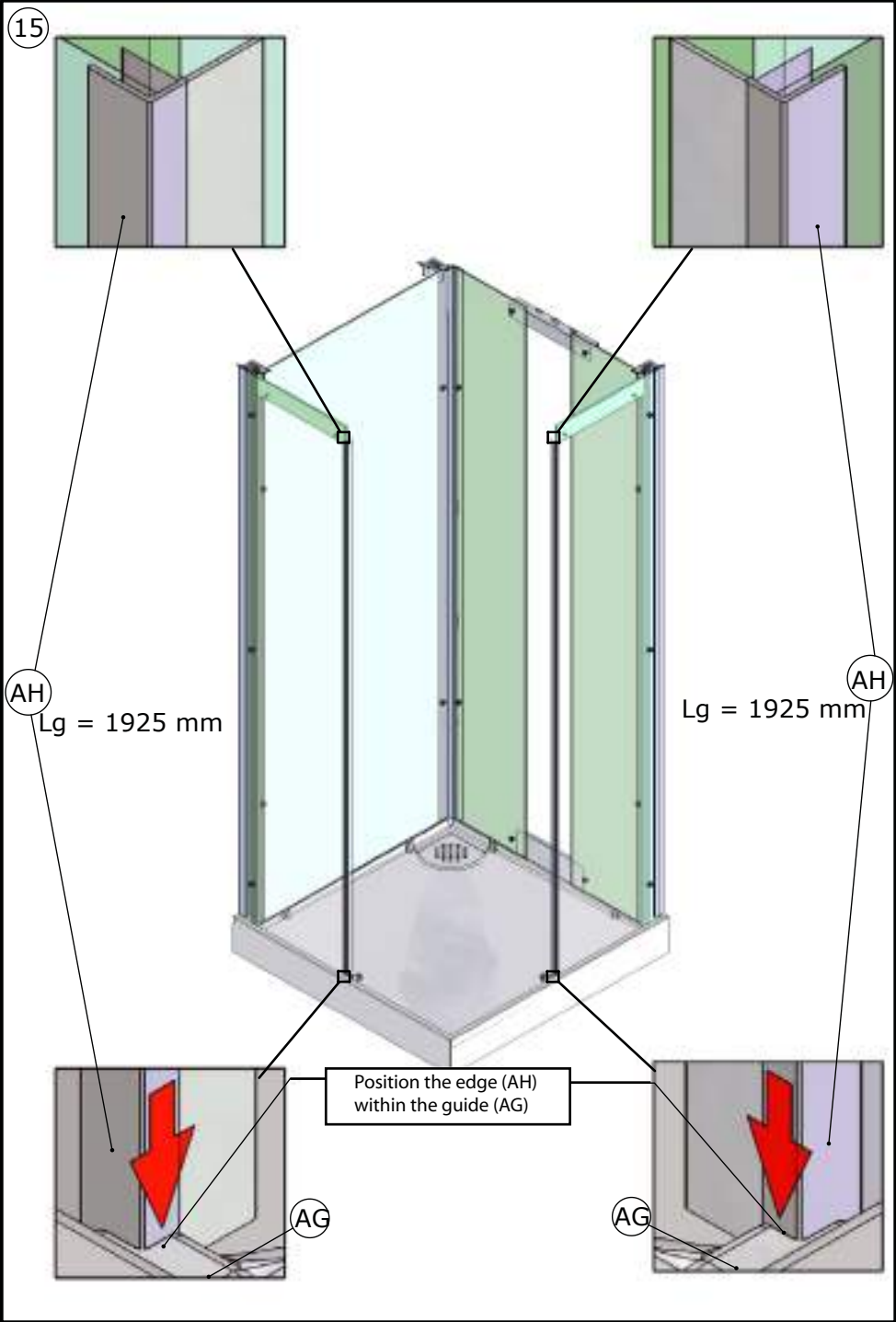
AD

C

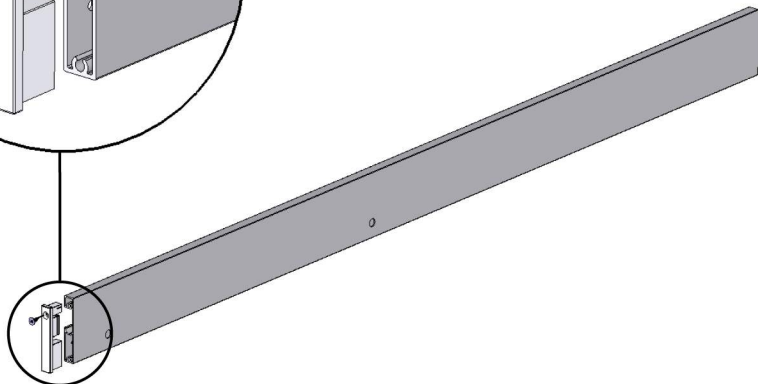
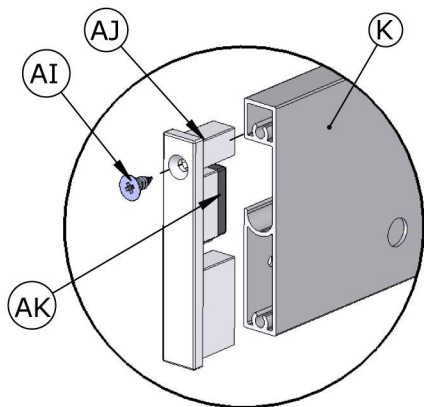
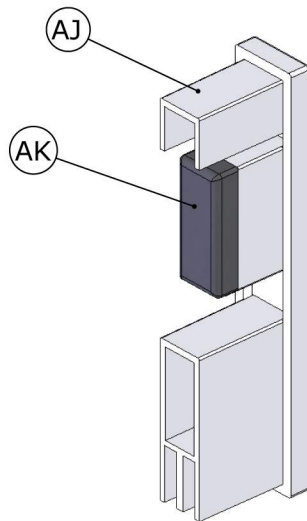
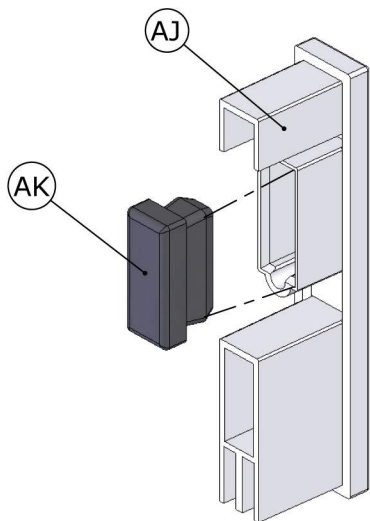


Ensure glass panels are fully home before drilling

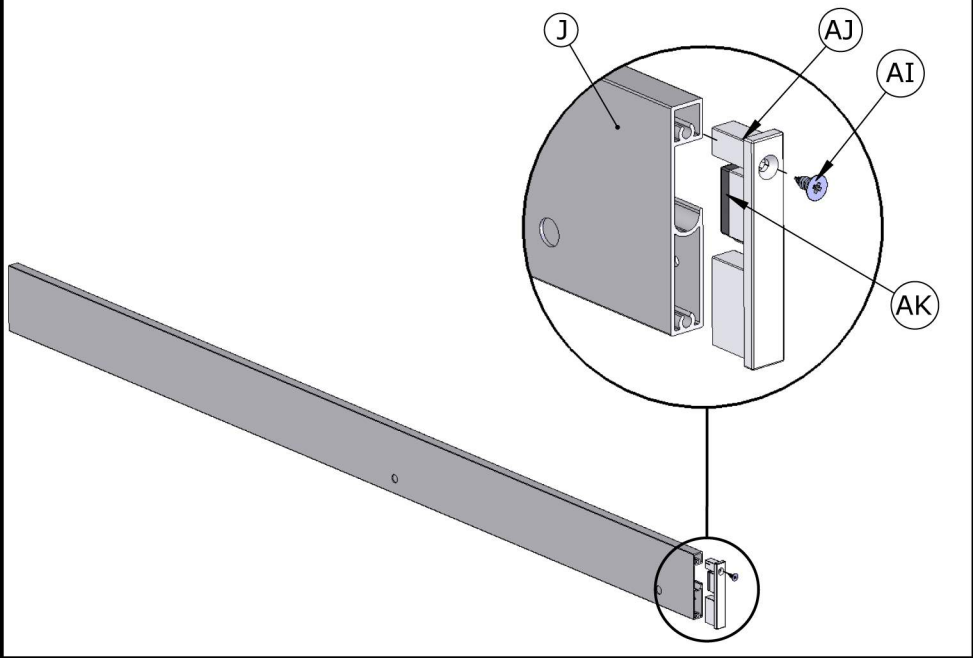
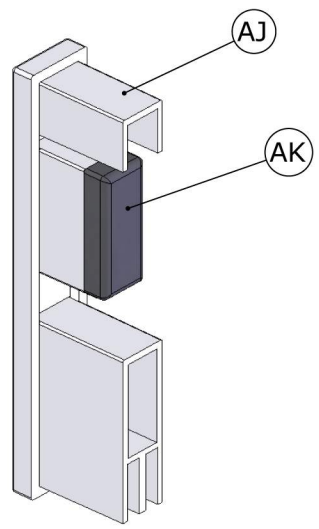
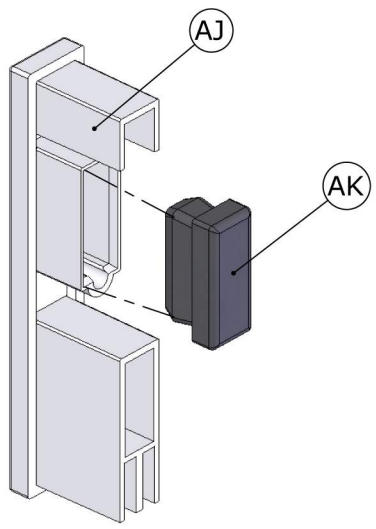
AG



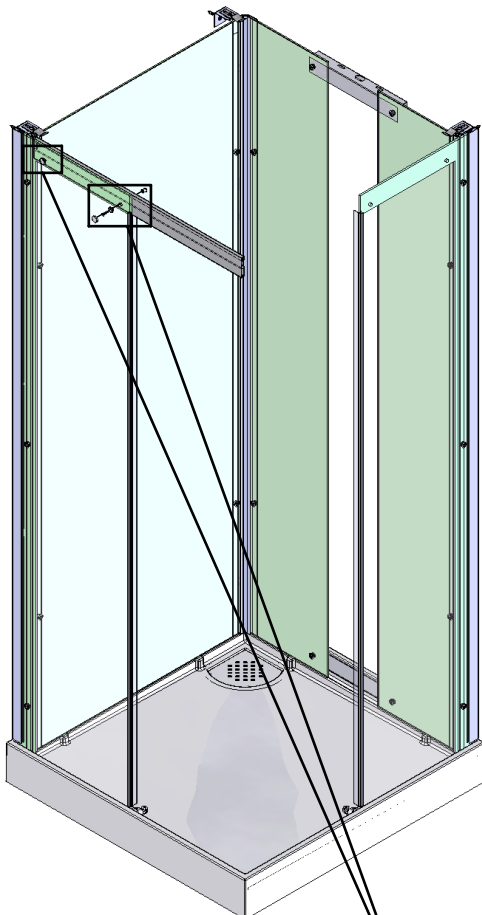
16



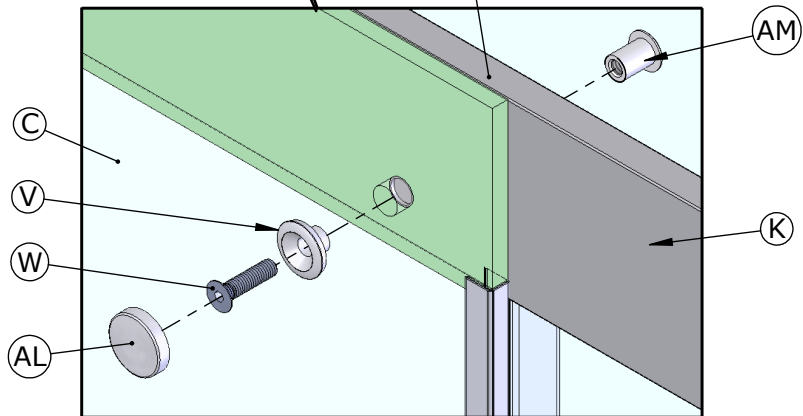
17



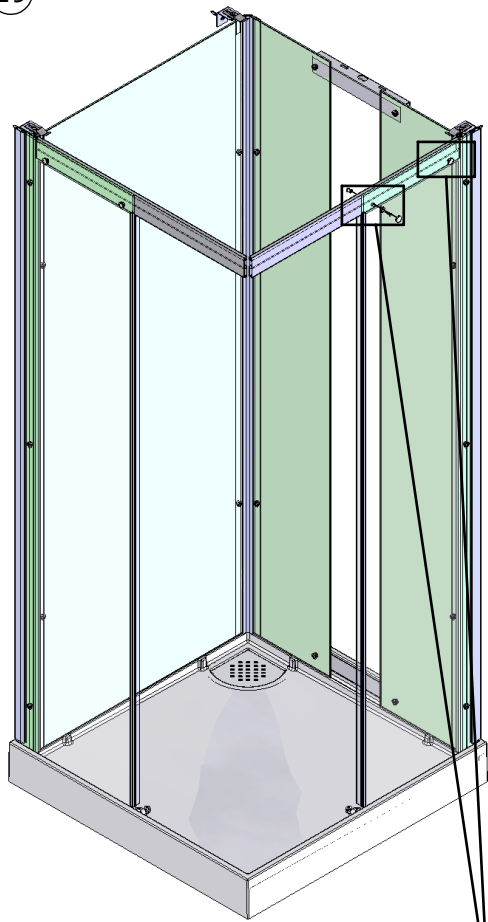
18



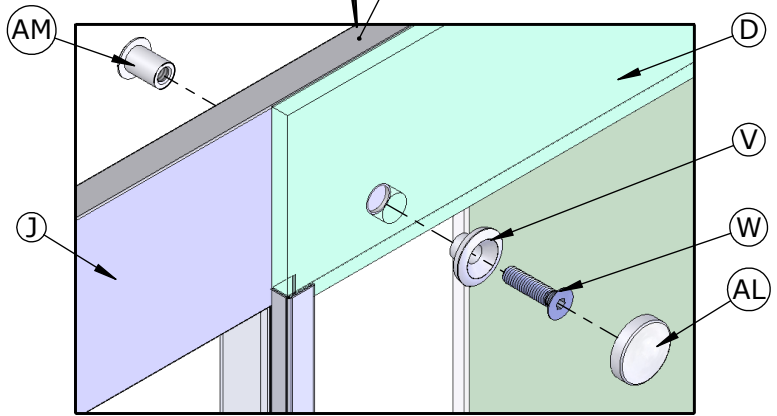
(K) is inside the shower



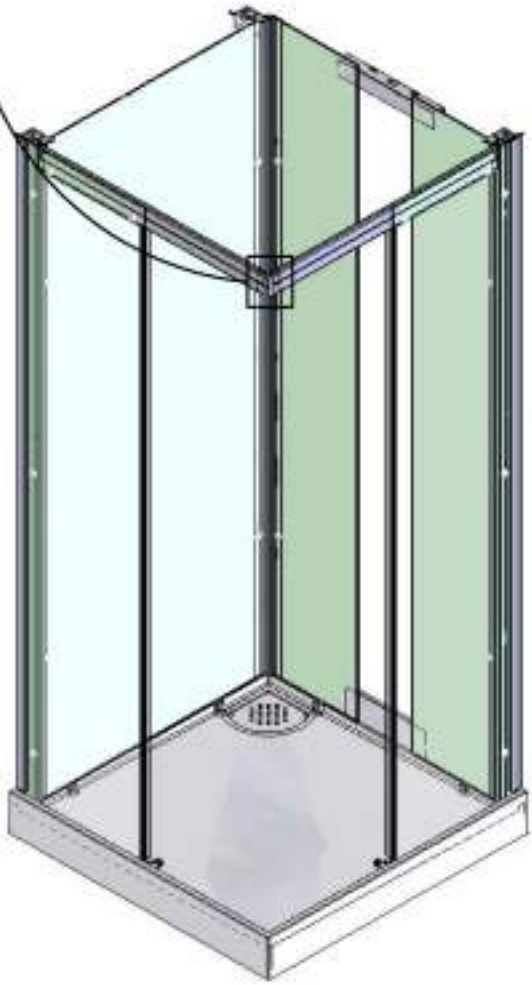
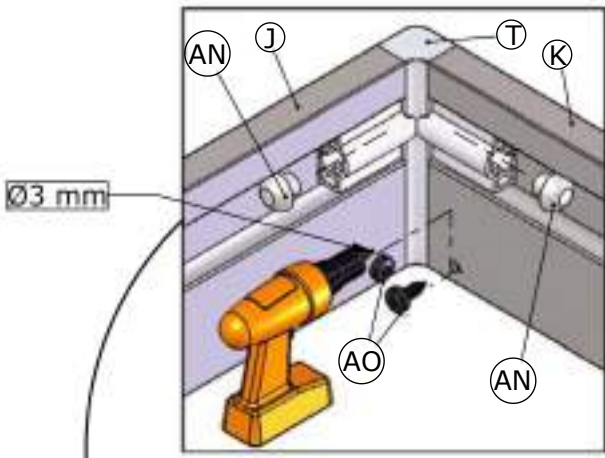
19

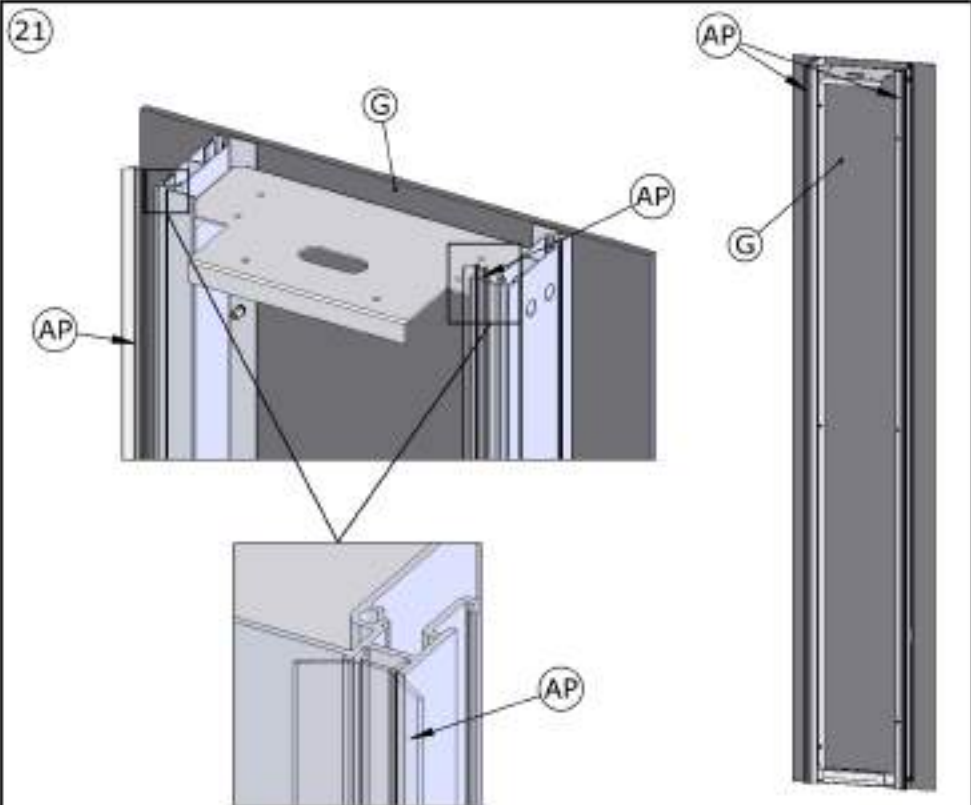


(J) is inside the shower



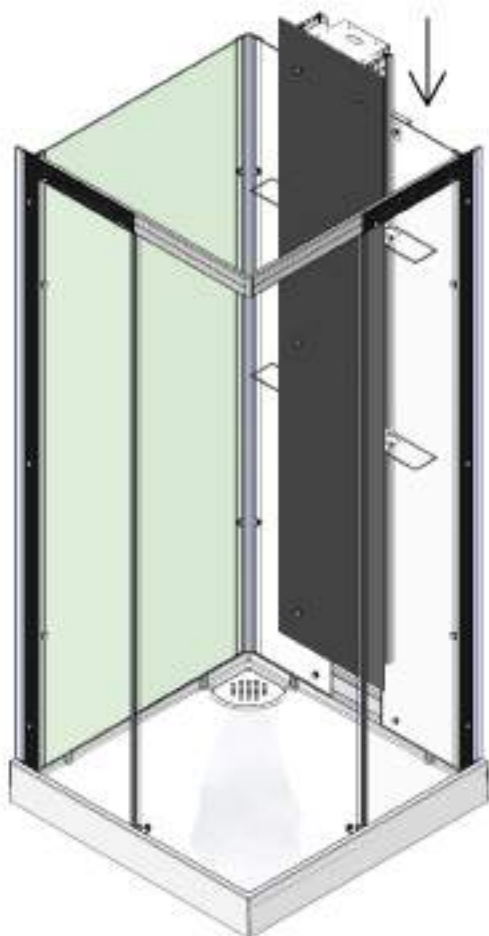
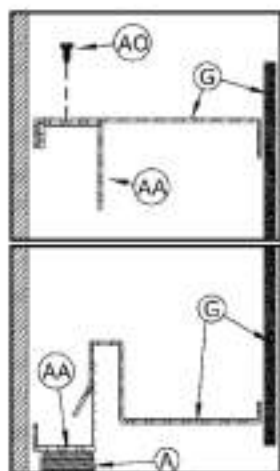
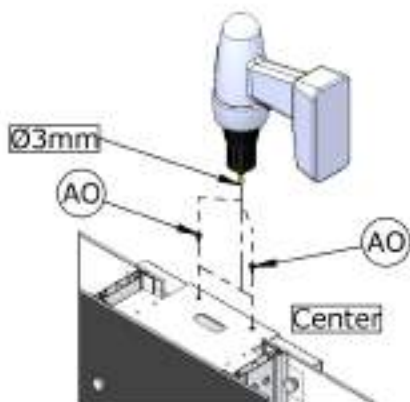
20





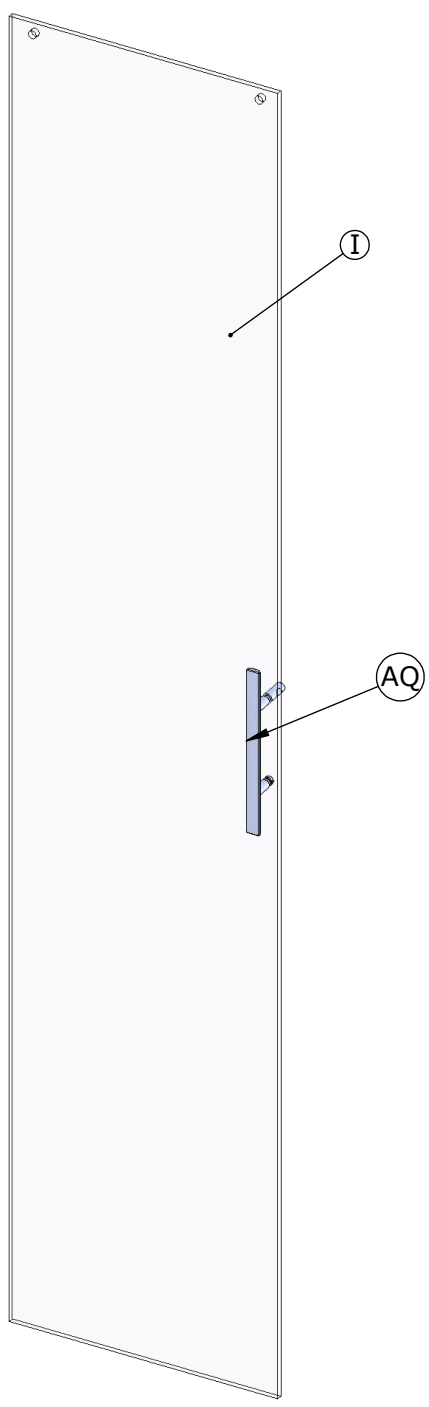
INSTALL THE TAP

22

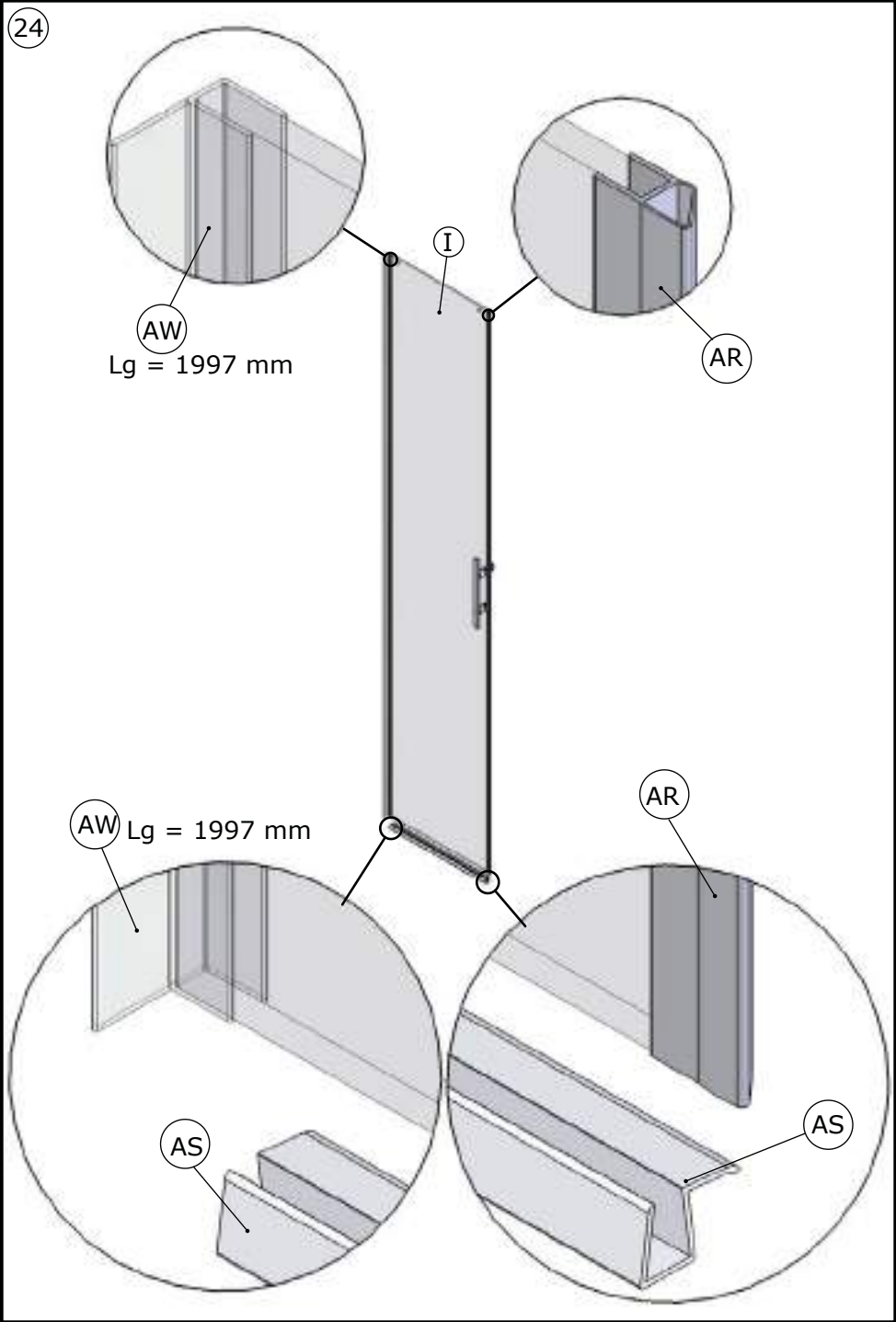


CONNECT THE
WATER SUPPLY
AND CHECK LEAKS
AT THIS POINT
AND CONNECT
EARTH CONECTOR

23



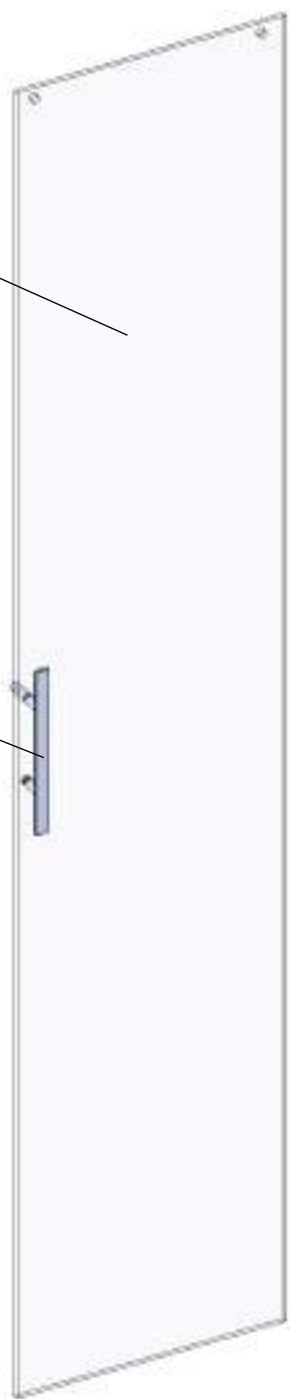
24



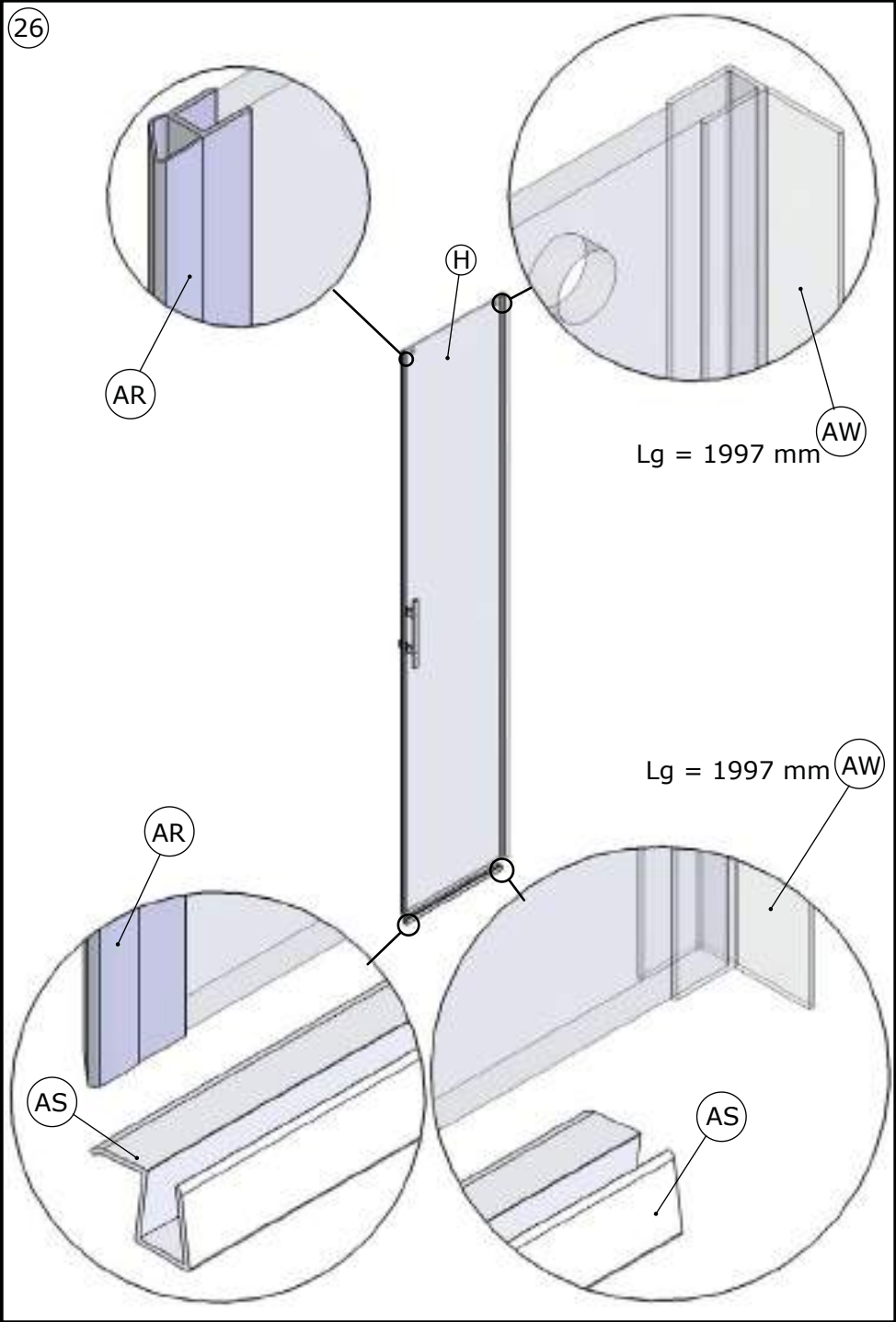
25

H

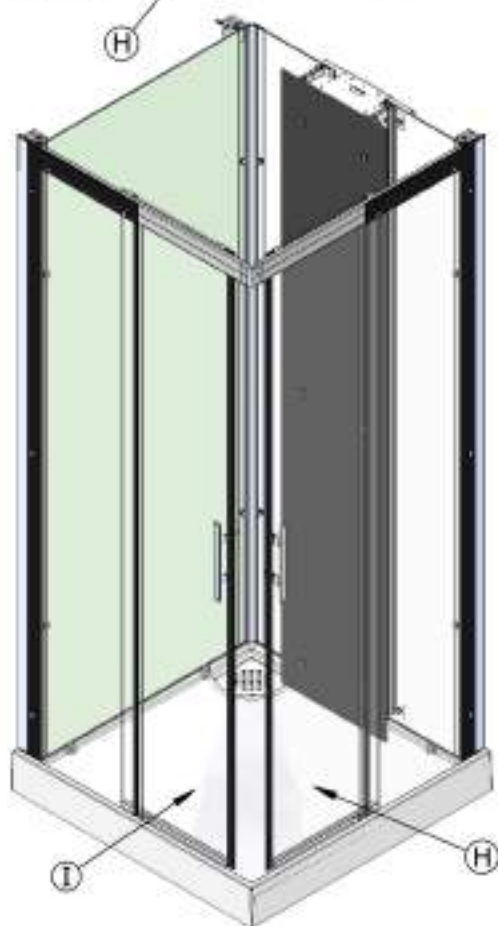
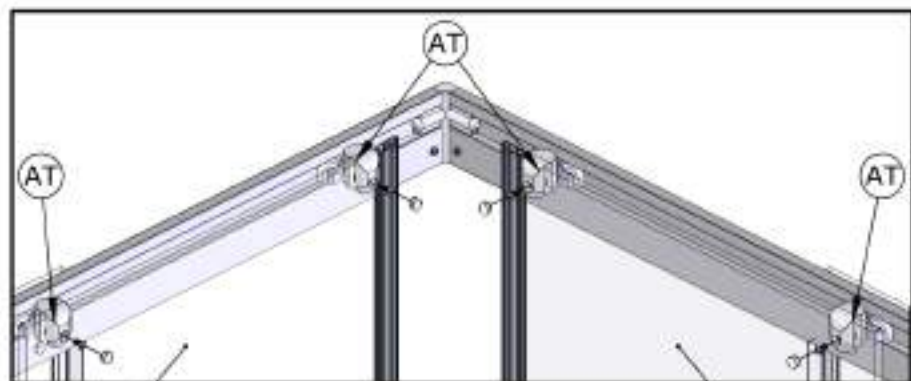
AQ



26

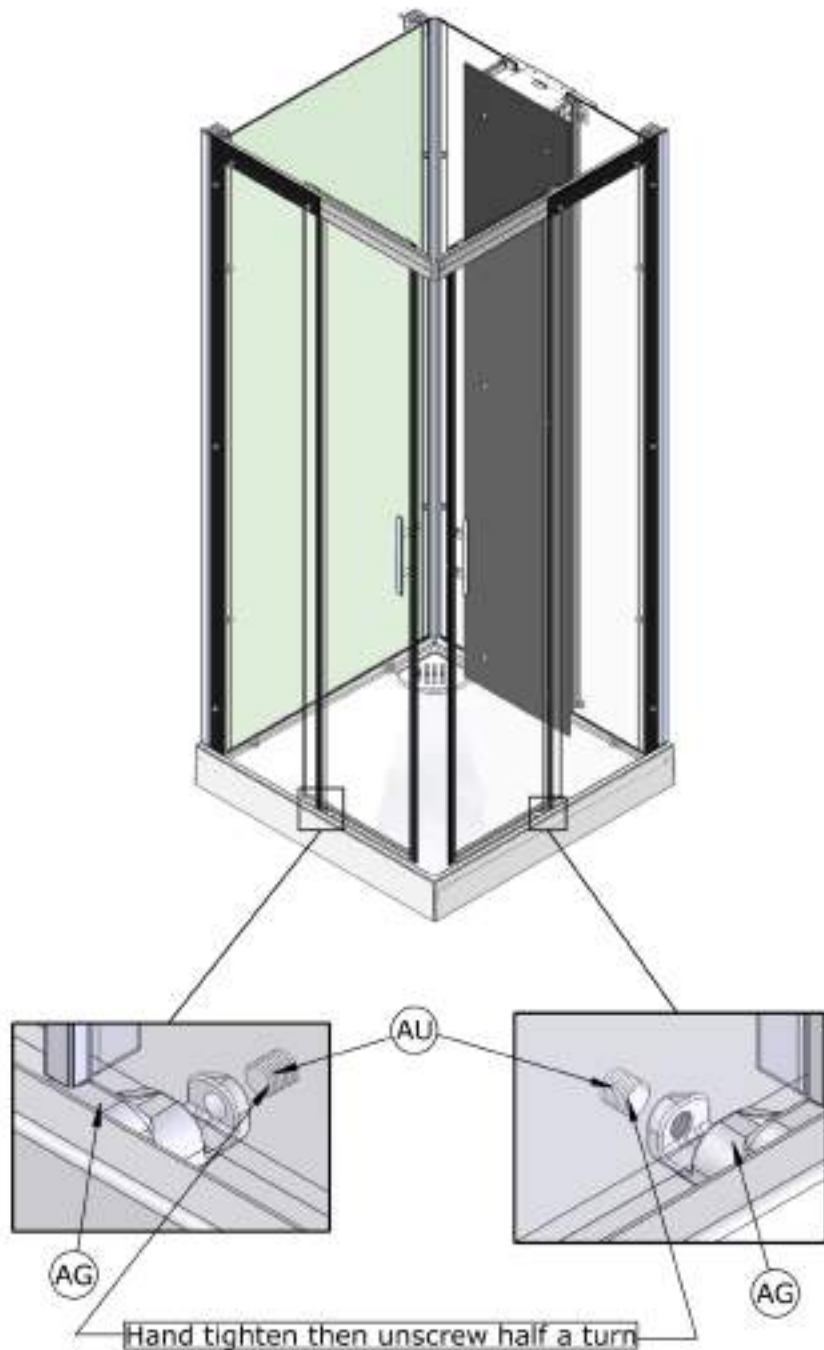


27



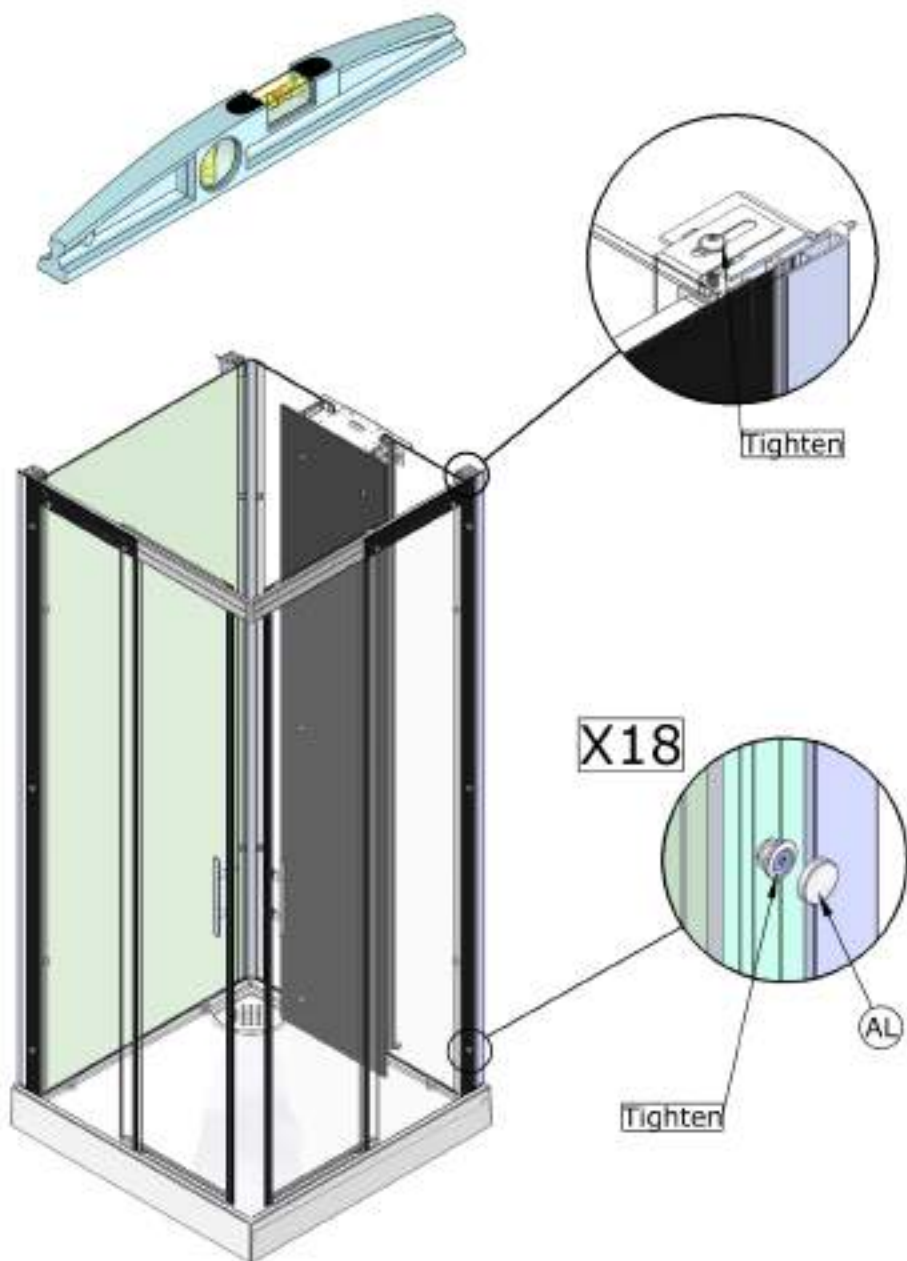
Place the rollers into the top rail then attach the doors to the rollers. Ensure rollers are at the highest adjustment.

28

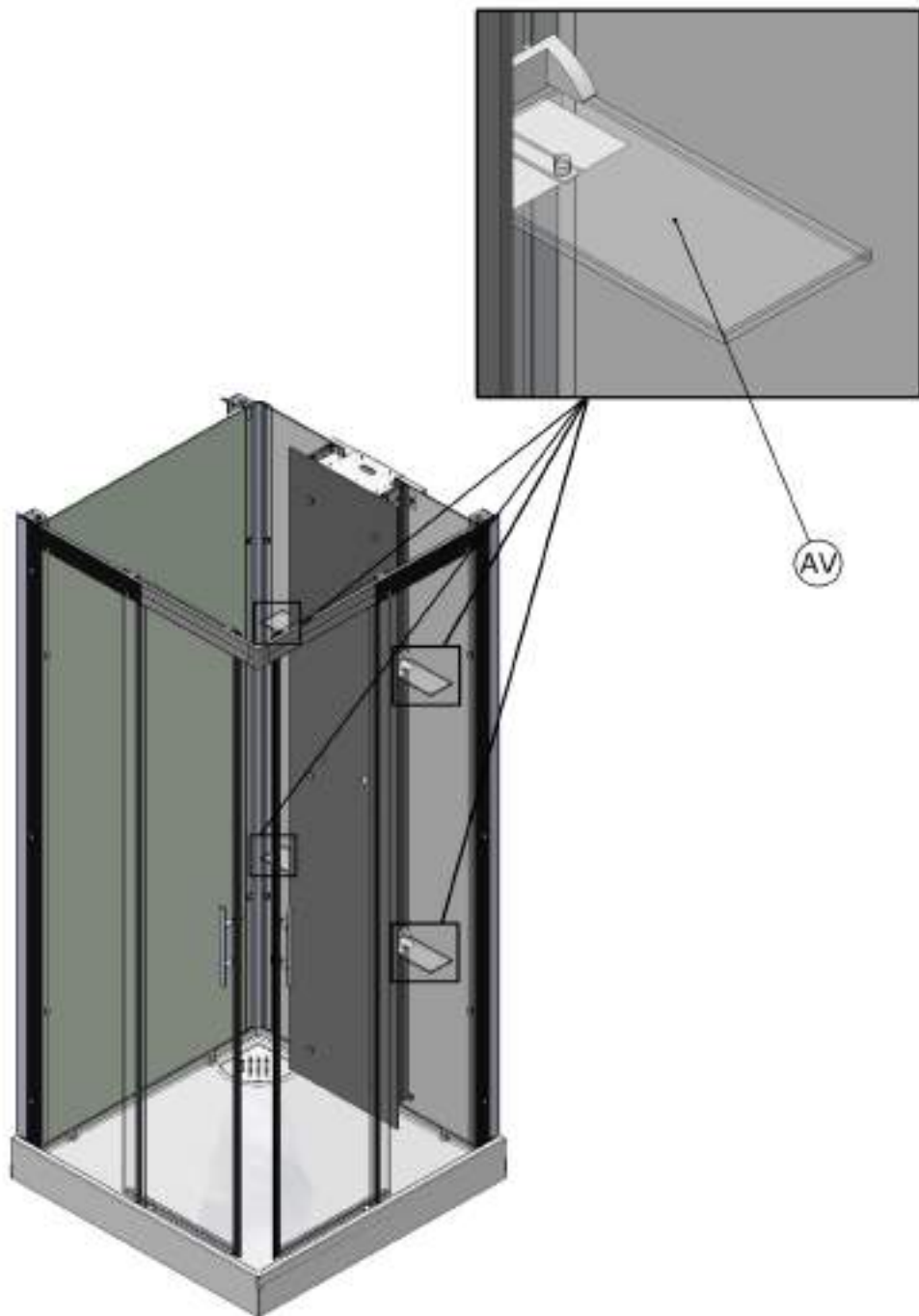


29

Check that the cubicle is level

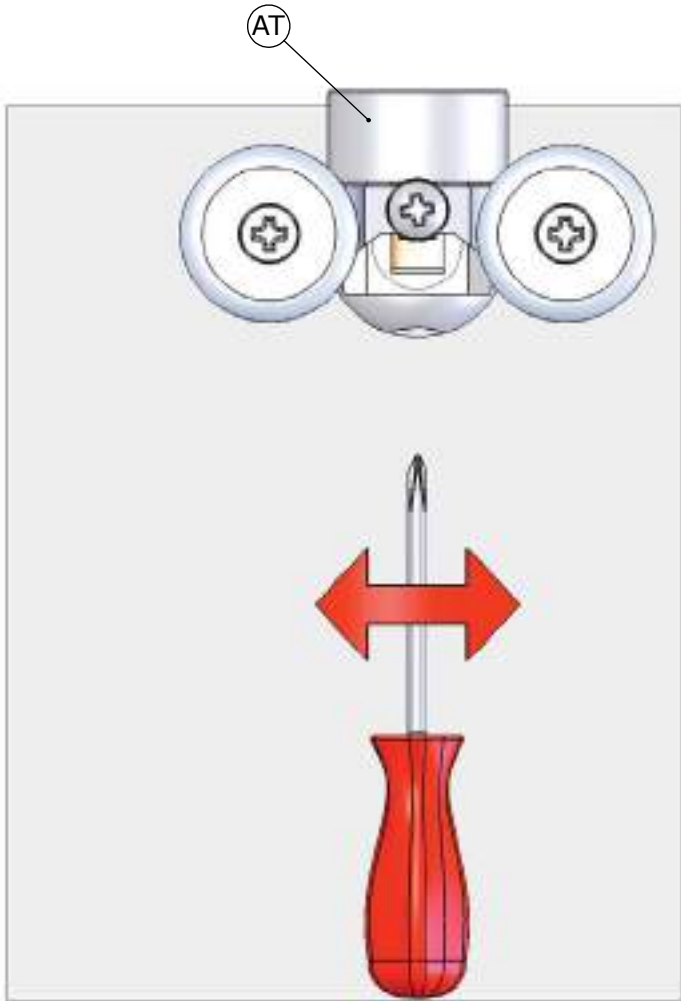


30

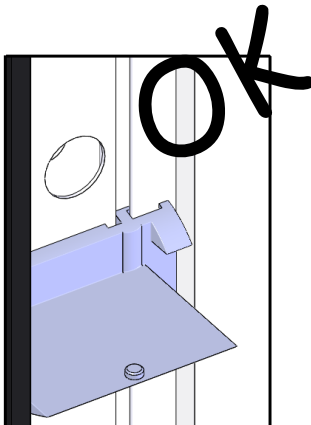
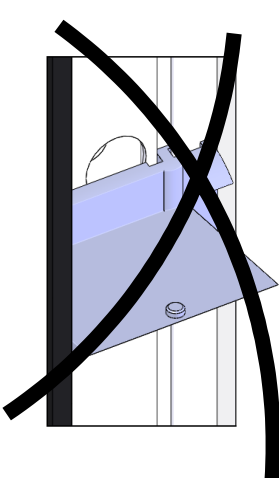
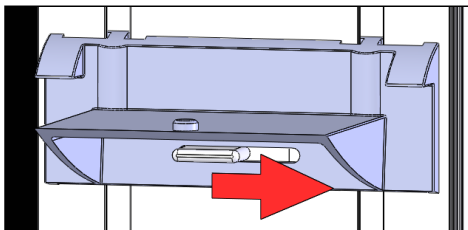
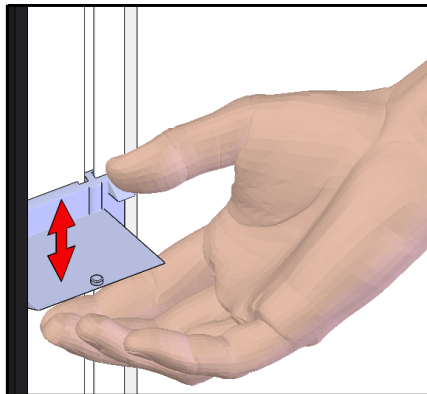
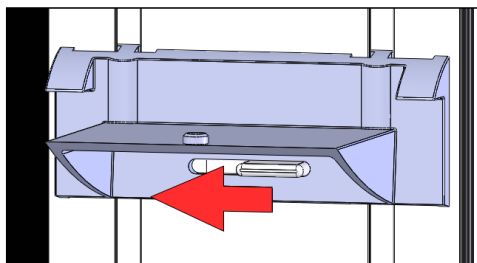


31

Adjust the doors



REGLAGE DES ETAGERES
ADJUSTMENT OF SHELVES
REGOLAZIONE MENSOLE
AJUSTE DE LAS ESTANTERIAS
VERSTELBARE REKKEN





SAV
SERVICE HELPLINES
ASSISTENZA POST-VENDITA
SERVICIO POSTVENTA

FRANCE

02 40 21 29 45

SCHWEIZ

(01) 748 17 44

UK

020 8842 0033

ESPAÑA

93 544 60 76

IRELAND

04697 33102

NEDERLAND

0475 487 100

DEUTSCHLAND

+49 (0) 6074 / 30928 0

BELGIE

+31 475 487 100

ITALIA

(0382) 6181

BELGIQUE

+31 475 487 100

OSTEREICH

+43 1 710 60 70

РОССИЯ

963 19 40, 773 67 22