

**B.1**

# B11010 0010  
# B11010 0020  
# B11020 0010  
# B11020 0020  
# B11010 0030  
# B11020 0030  
# B12400 0010

**B.2**

# B21010 0010  
# B21010 0020  
# B21020 0010  
# B21020 0020  
# B21010 0030  
# B21020 0030  
# B22400 0010

**Duravit No.1**

# N11011 0010  
# N11011 0020  
# N11012 0010  
# N11012 0020  
# N11020 0010  
# N11020 0020  
# N11021 0010  
# N11021 0020  
# N11022 0010  
# N11022 0020  
# N11030 0010  
# N11030 0020  
# N11032 0020  
# N12400 0010

**D-Neo**

# DE1010 0010  
# DE1011 0010  
# DE1010 0020  
# DE1011 0020  
# DE1020 0010  
# DE1021 0010  
# DE1020 0020  
# DE1021 0020  
# DE1030 0010  
# DE1030 0020  
# DE2400 0010



These instructions are part of the Duravit product and must be read carefully and kept available at all times.

### Target readership and qualifications

The product may only be installed by a qualified plumber.

### Explanation of the key words and symbols

#### NOTICE

Addresses practices not related to physical injury.



Link to the mounting instructions in this section



Prompt for inspection (e.g. for scratches)



Prompt to inspect for leaks and leak-tightness



Prompt to wear gloves



Optional settings

### Technical data

Operating pressure	max. 1.0 MPa
Recommended	0.3 - 0.5 MPa
Test pressure	1.6 MPa
1 MPa = 10 bar = 145 PSI	
Hot water temperature	max. 60 °C

### Safety instructions

#### Cut and crushing injuries

- > Wear gloves when installing the product.

#### Product and/or property damage

- > Observe the local installation regulations and any country-specific standards at all times.
- > Equalise pressure differences between cold and hot water connections.
- > Observe the manufacturer's instructions for installation with continuous flow heaters.

### Mounting instructions

#### 1 Flushing and siliconising (diagram 01)

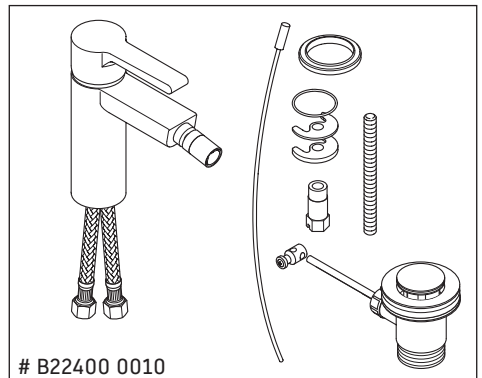
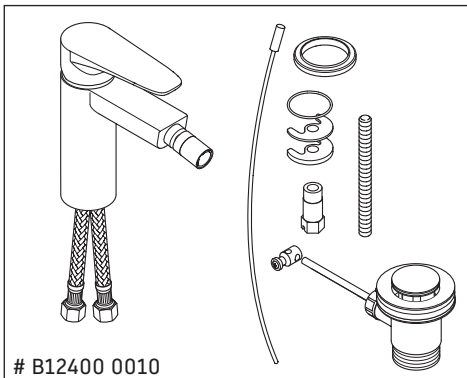
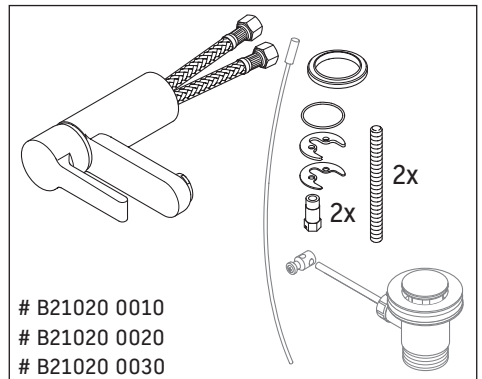
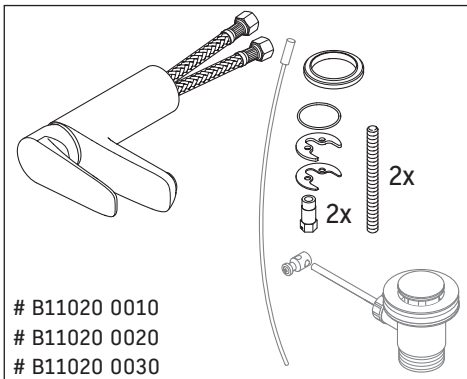
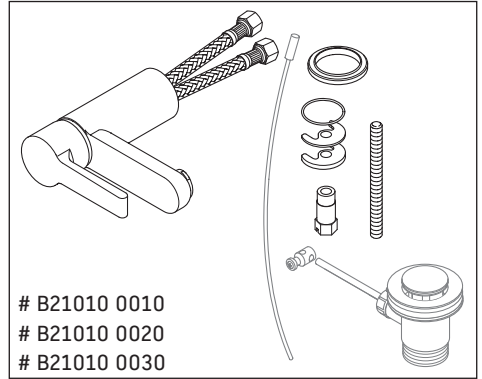
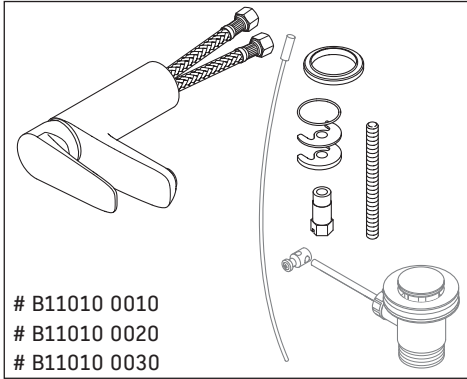
#### NOTICE

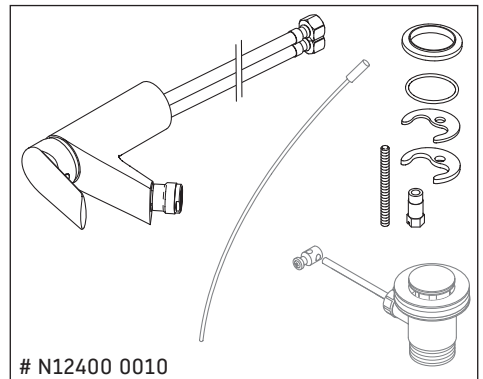
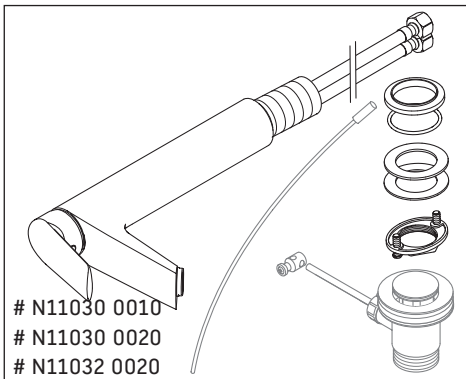
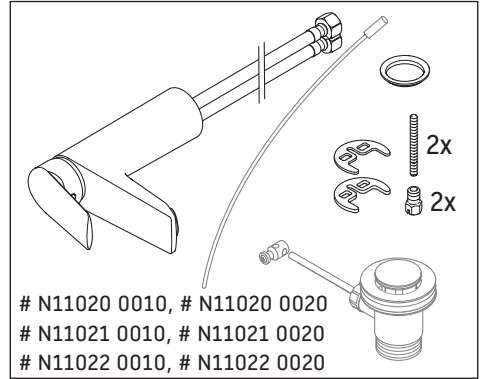
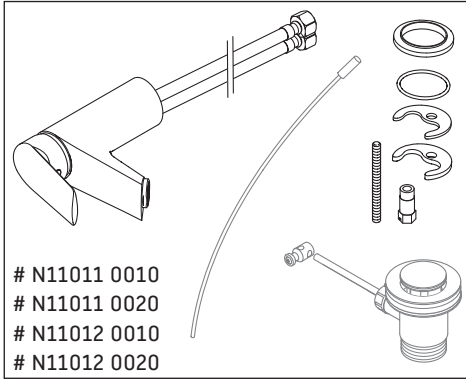
#### Tap unit malfunction due to dirty pipes

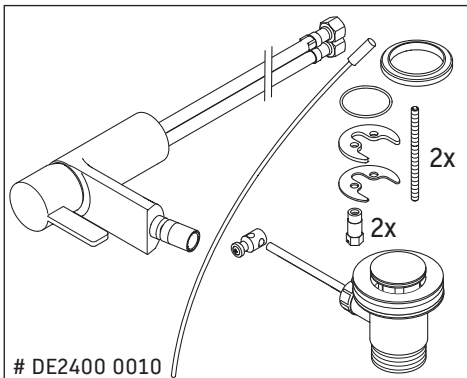
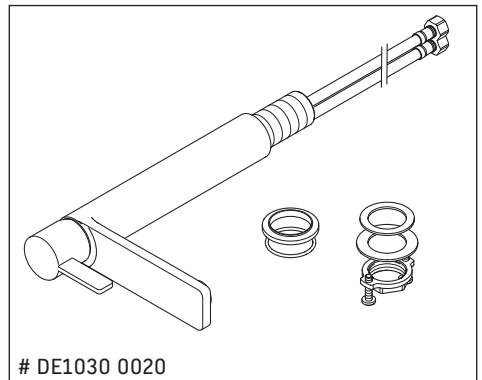
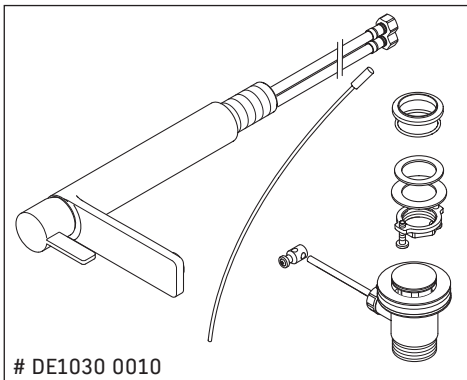
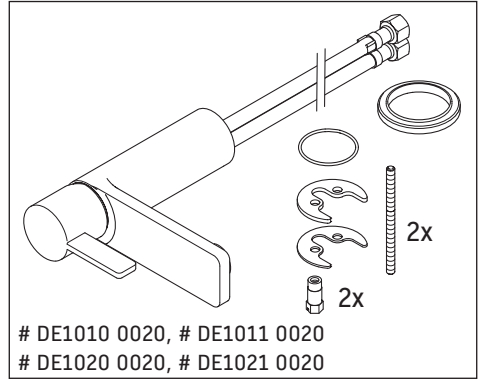
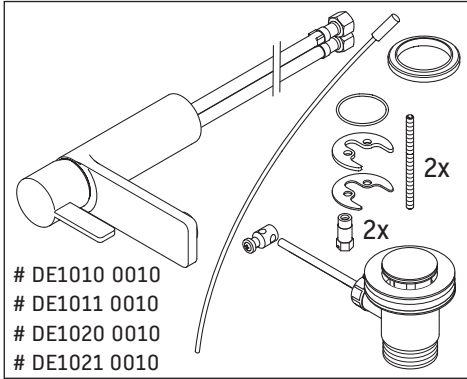
- > Flush the pipes according to the applicable standards before mounting the tap unit.

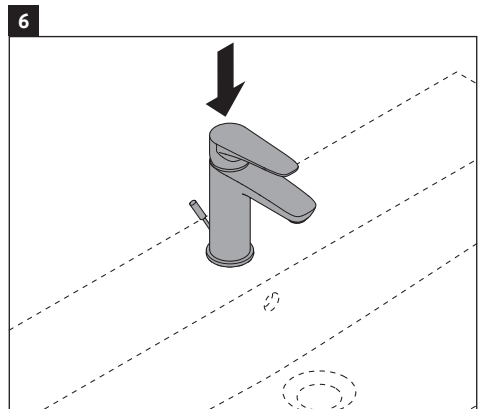
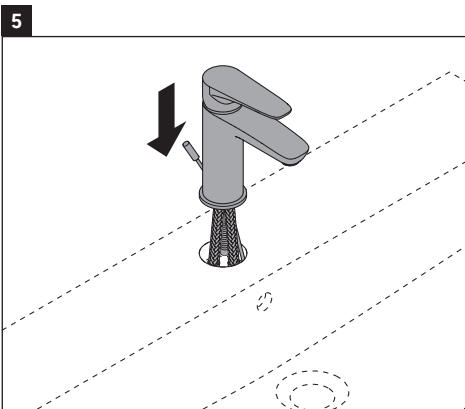
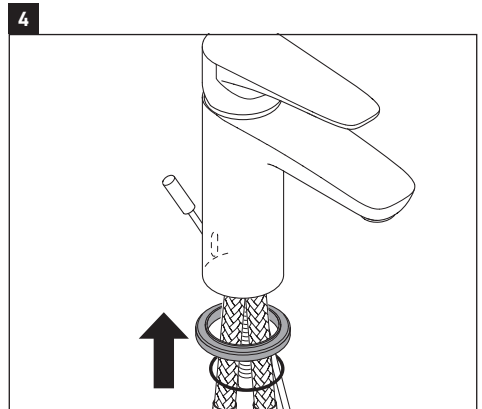
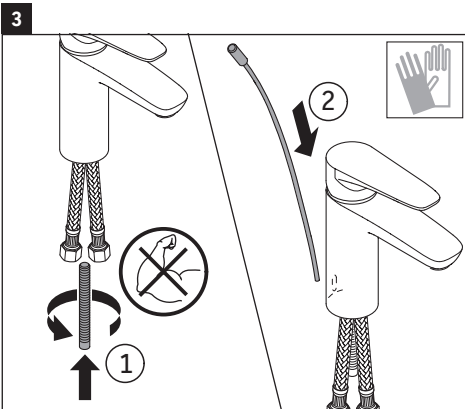
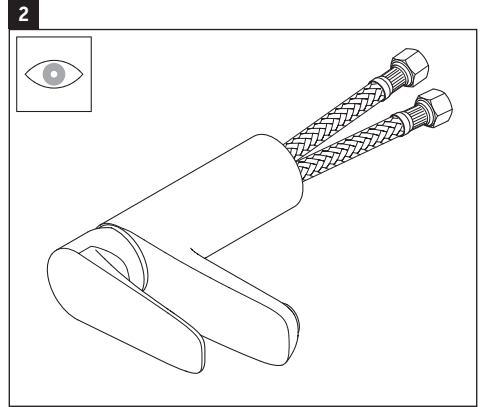
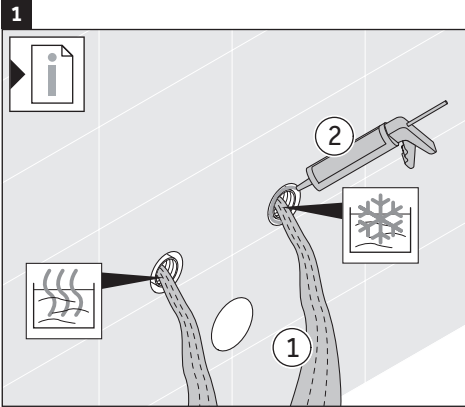
#### Water damage

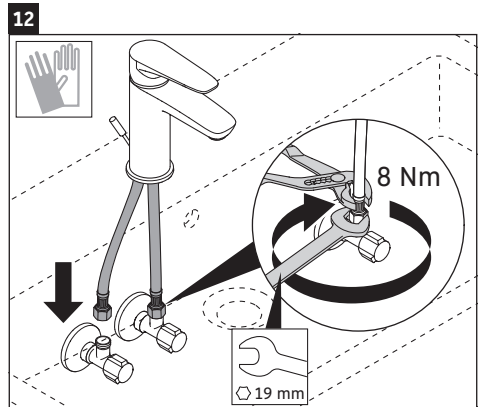
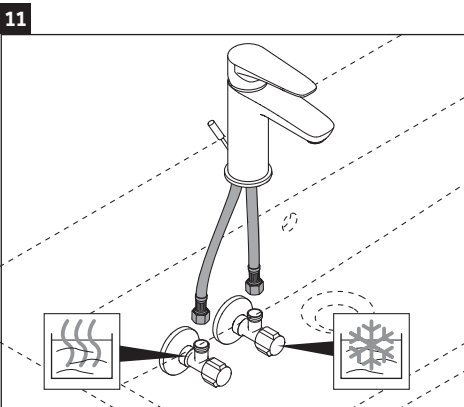
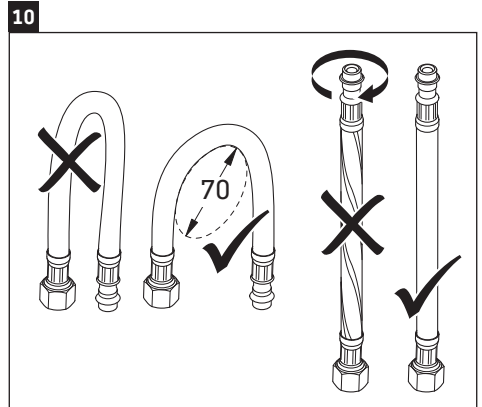
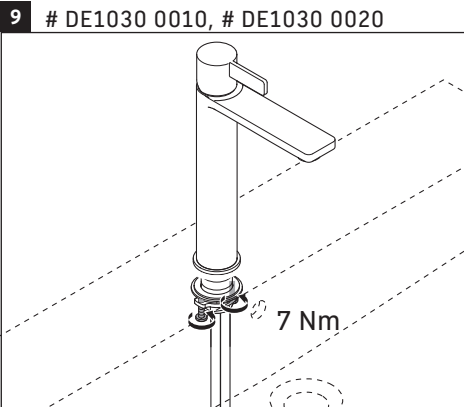
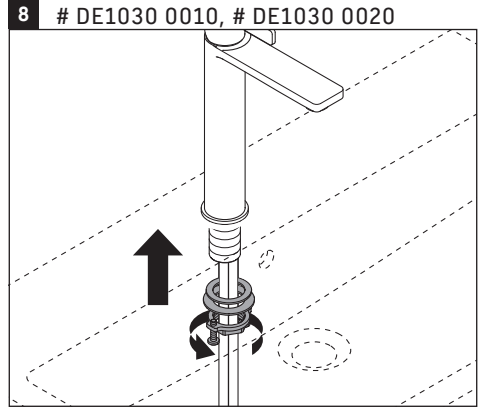
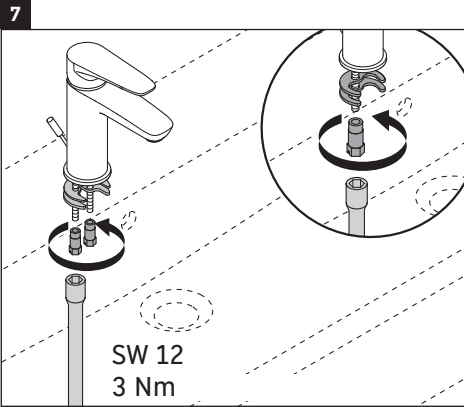
- > Enclose pipes with silicone that does not contain acetic acid.





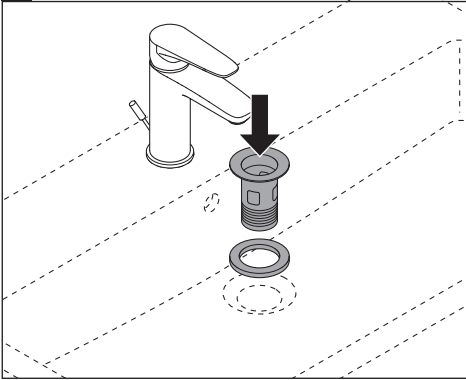




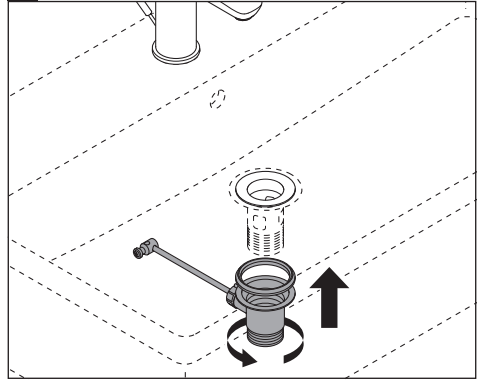




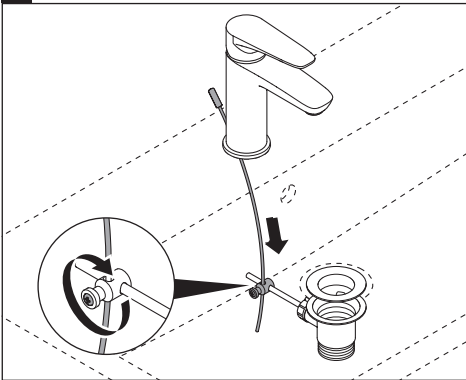
13



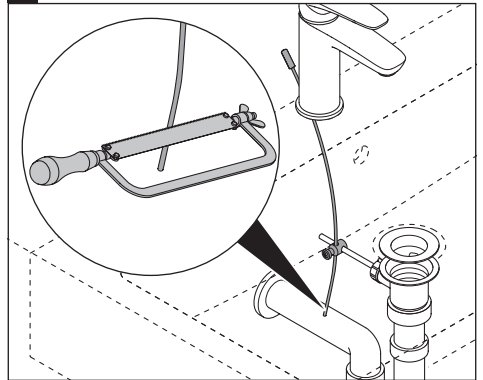
14



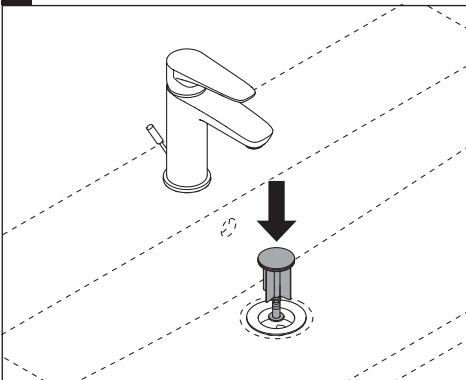
15



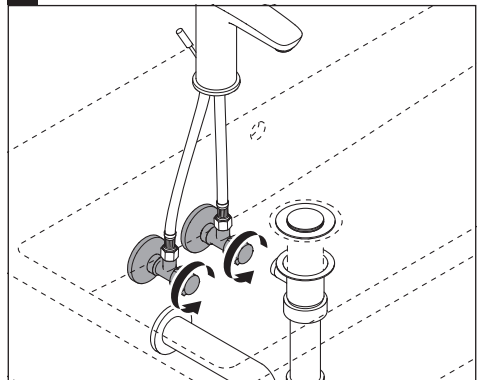
16



17

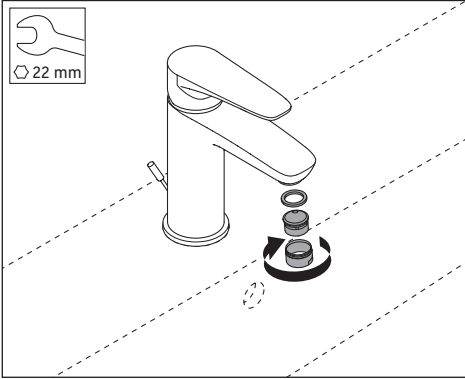


18

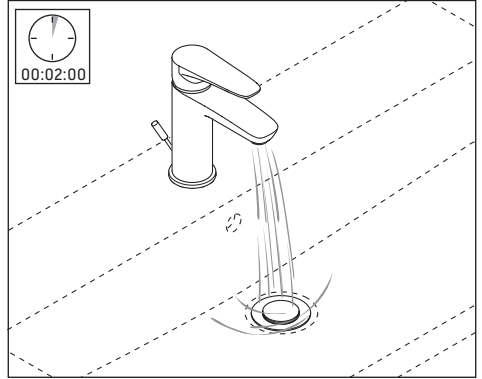




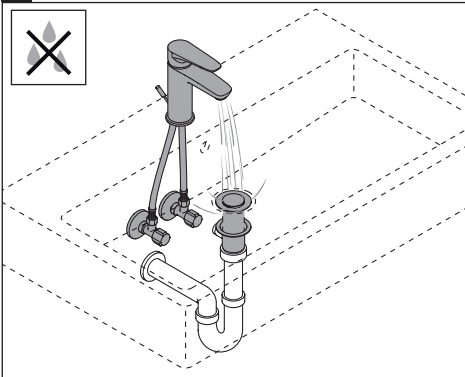
19



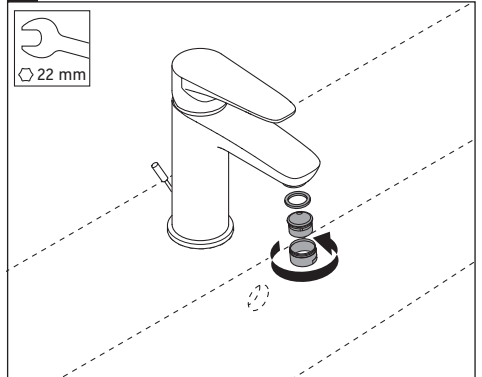
20

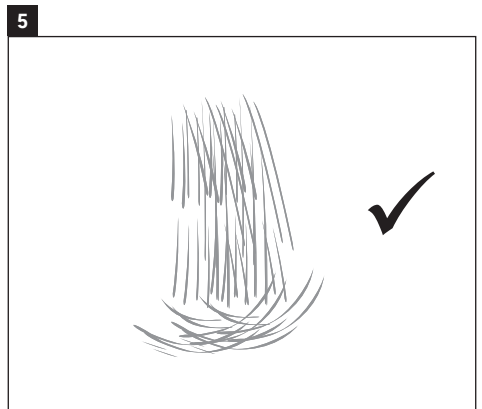
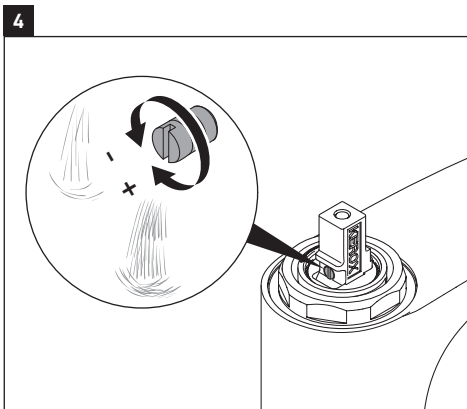
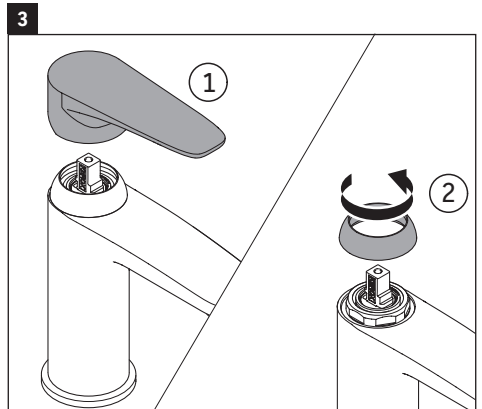
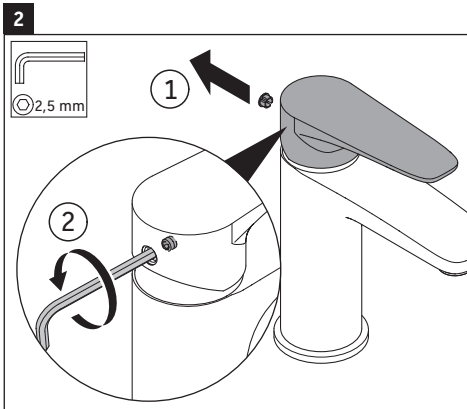
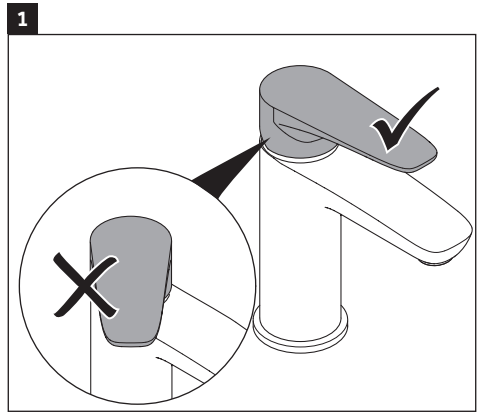
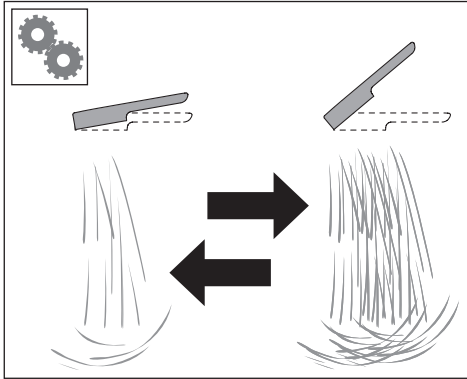


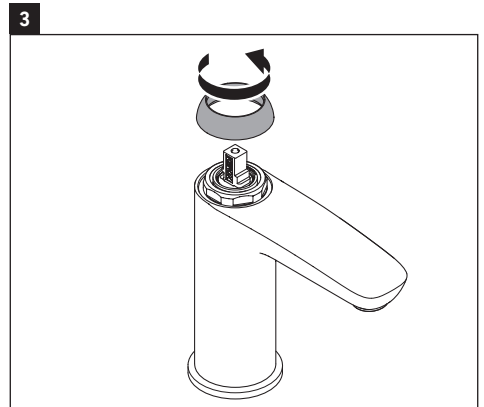
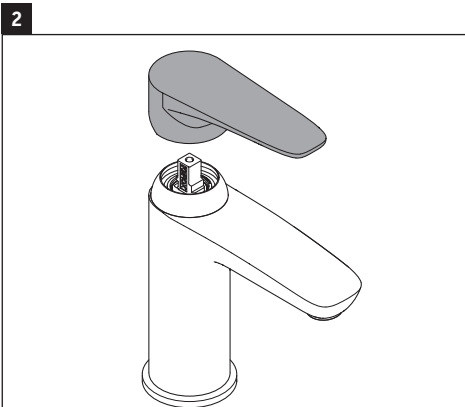
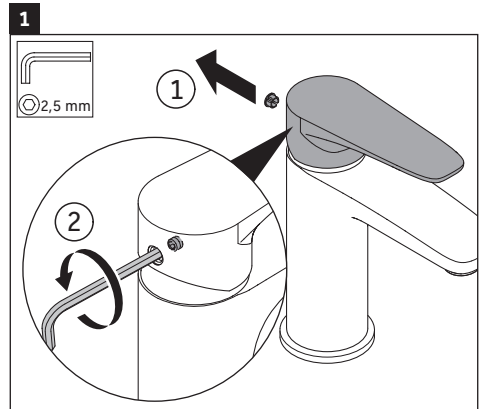
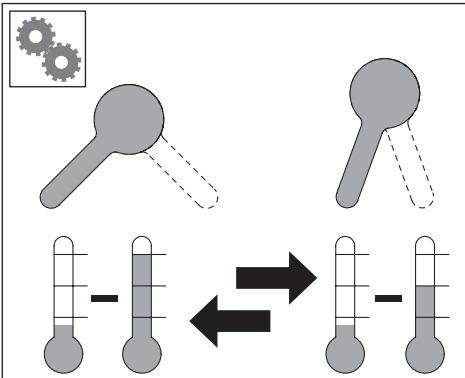
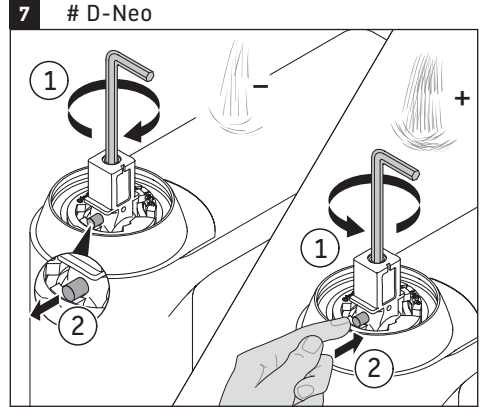
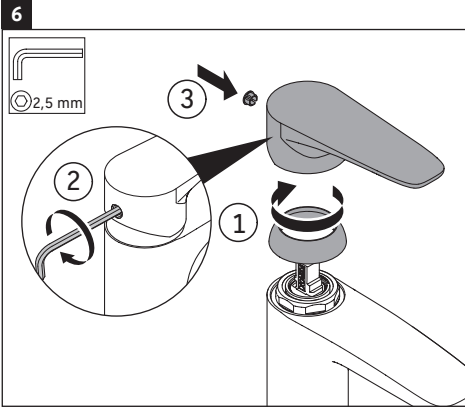
21

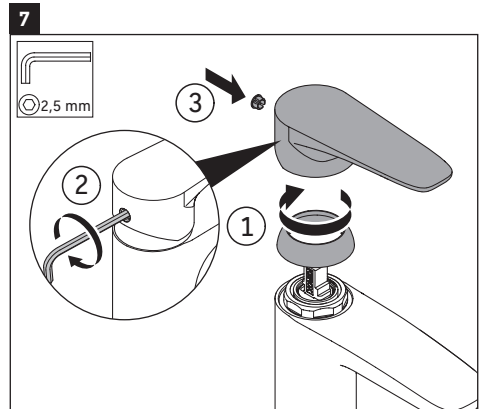
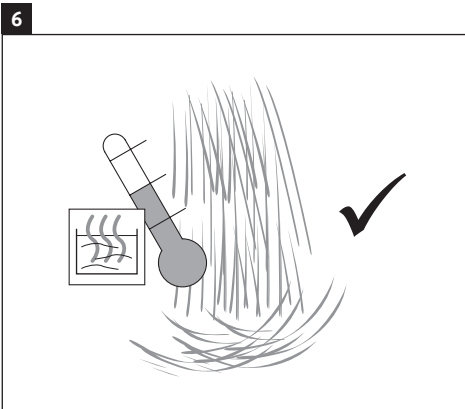
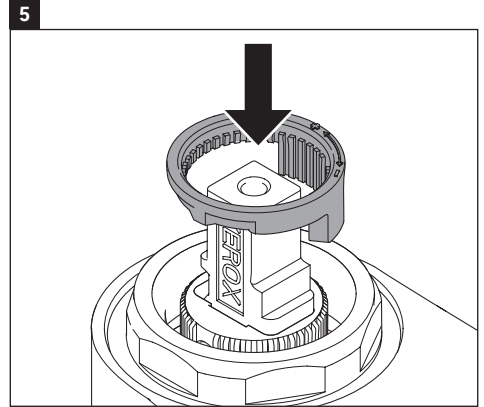
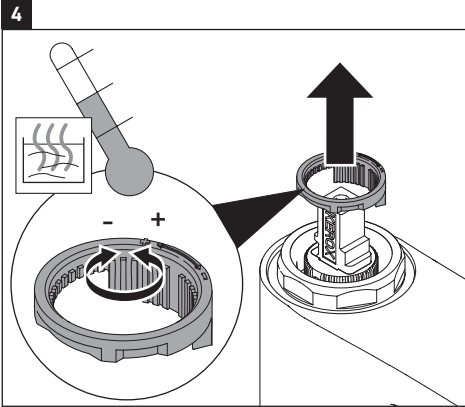


22









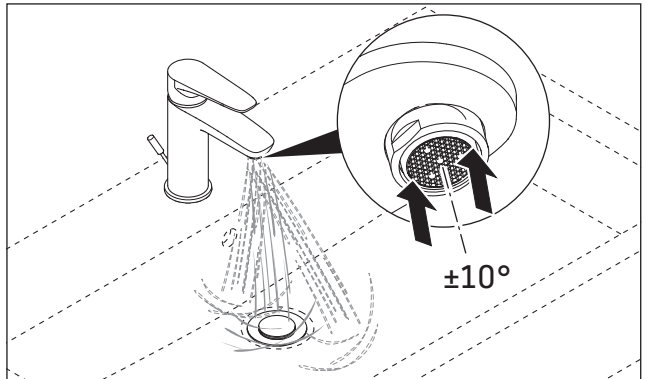
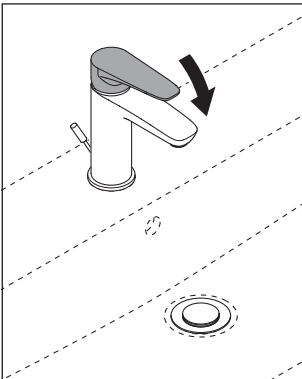
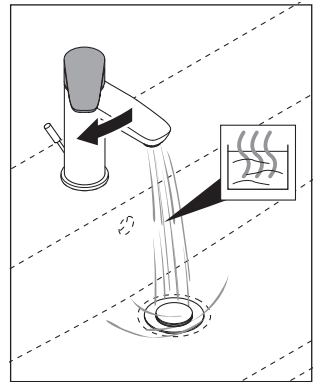
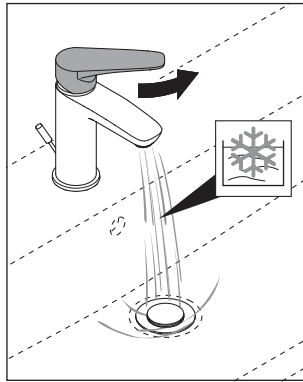
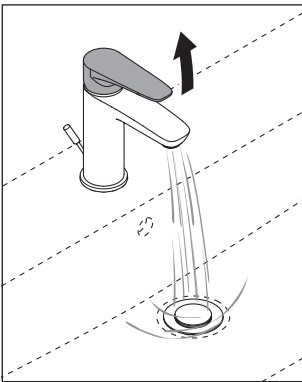
**8 # D-Neo**

	☞ / ❄
1	0%
2	-10%
3	-20%
4	-30%
5	-40%



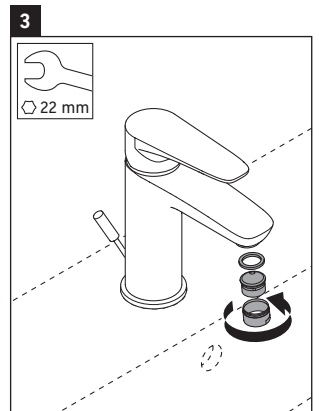
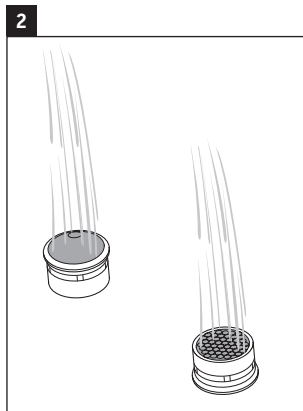
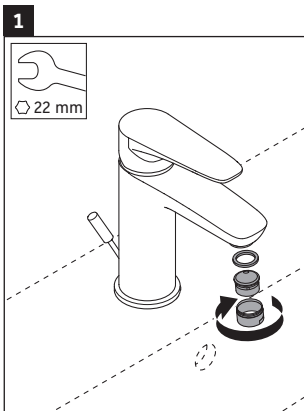
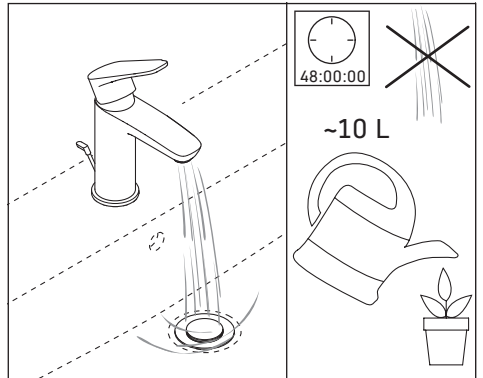
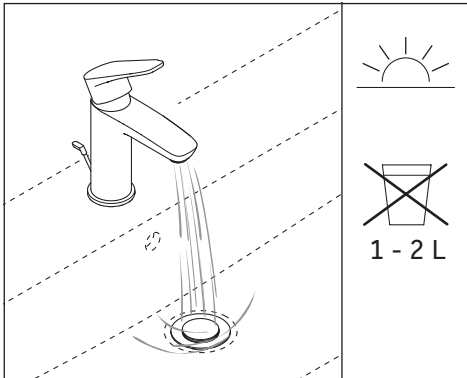
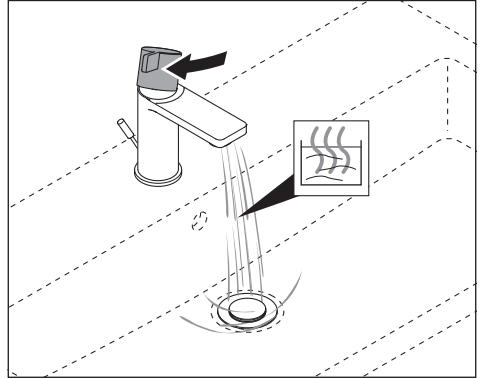
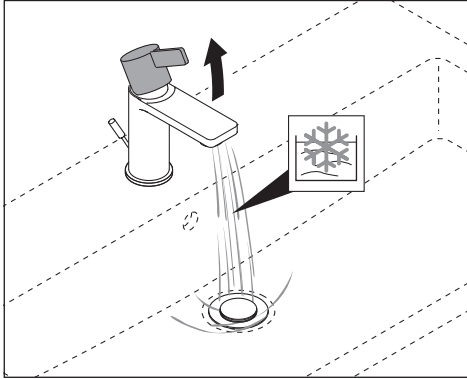
9 # DE1011 0010, # DE1011 0020, # DE1021 0010, # DE1021 0020

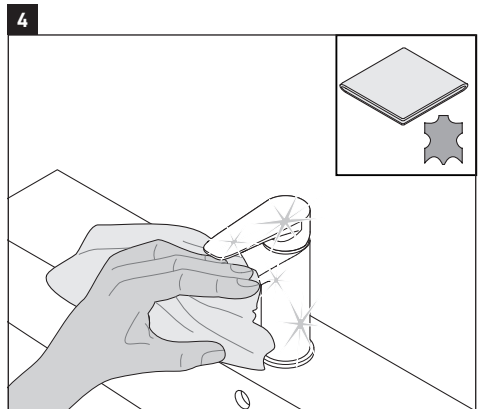
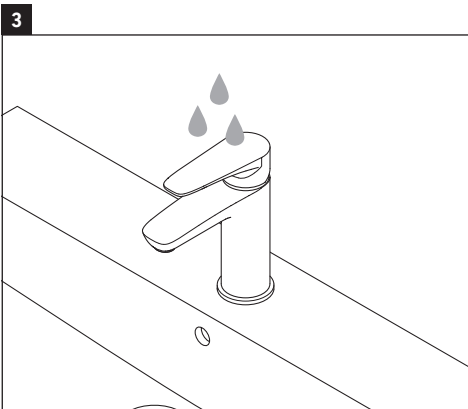
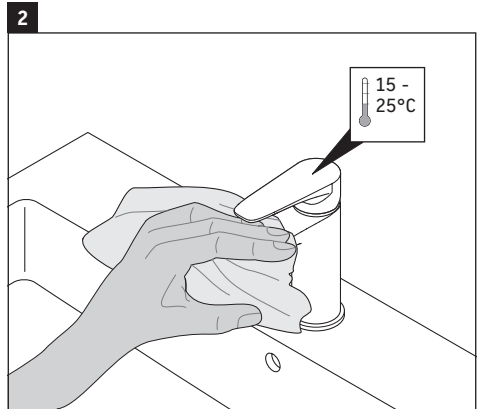
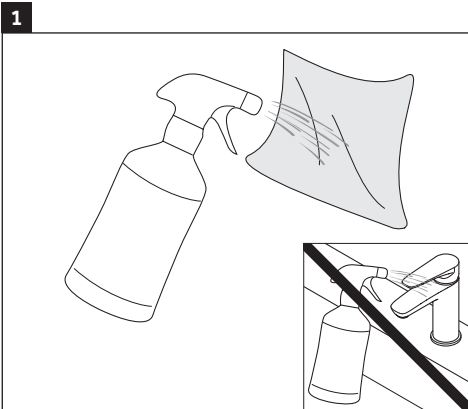
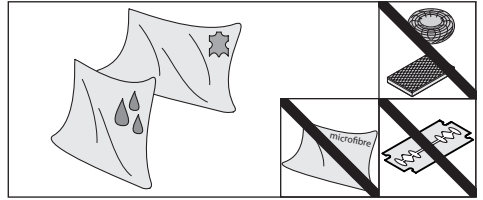
	☸ / ❄
1	0%
2	-7%
3	-20%
4	-25%
5	-30%
6	-45%
7	-75%
8	-80%
9	-80%





# DE1011 00..., # DE1021 00..., # N11011 00..., # N11021 00...





**DURAVIT AG**  
P.O. Box 240  
Werderstr. 36  
78132 Hornberg  
Germany  
Phone +49 78 33 70 0  
Fax +49 78 33 70 289  
info@duravit.com  
www.duravit.com

