

Duravit bathroom furniture is made of materials that are suitable for bathrooms. The following points must be strictly observed to ensure that you are able to enjoy using Duravit products for a long time: It is important to ensure good ventilation in the bathroom. Furniture should not be exposed to standing water or sustained moisture. However, if you notice splashes of water, dry the furniture to reduce the risk of damage. Avoid contact with pointed, sharp or abrasive objects. Chemicals, such as nail polish remover, perfume, hair dye / tint, solvent-based liquids, acetone etc. should be removed from furniture surfaces immediately. Never use abrasive care products, solvents or aggressive cleaning agents for cleaning. Ink, fruit and felt-tip pen stains, tea, coffee, juice and red wine must be removed immediately, otherwise it will permanently affect the surface.

Remove soiling immediately. Recent soiling is much easier to remove from the surface than when it is dried in. All surfaces have limited UV resistance. Changes in colour may occur if the products are exposed to continuous UV radiation.

The following sections are split into individual materials as regards their care and maintenance.

IMPORTANT INFORMATION

You should carefully read the recommendations for use provided by your cleaning agent manufacturers. If in doubt, you can test the cleaning agent and care product in an inconspicuous area.

CARE AND CLEANING OF REAL WOOD VENEER OR SOLID WOOD

Real wood veneer is a living material. Its structure, grain, porosity and colour vary naturally which proves the authenticity of the natural wood material. The colour and lustre of wood

may change if it is exposed to sunlight over time; this variation is therefore not a justified complaint. Use a slightly damp, soft lint-free cloth or chamois to regularly remove dust. Remove heavier soiling with hot water and detergent if necessary. Wipe off water deposits immediately with a soft cloth. Please use an all-purpose cleaner with the following ingredients to remove soiling from large-pored real wood veneers (walnut, oak): anionic and nonionic surfactants, soap, phosphonates, phenoxyethanol. Rub the cleaning agent in a circular motion and then lengthways into the pores with a cloth. Then wipe with a soft cloth moistened in warm water. Rub polish into the surface first with heavier soiling of the pores and then clean with an all-purpose cleaner as described above. Apply only a small amount of furniture polish to the dry surface; never apply to a damp surface as the polish may whiten.

CARE AND CLEANING OF HIGH-GLOSS AND MATT LACQUERED SURFACES

Clean the bathroom furniture with a soft cloth moistened in warm water and a little detergent. A lint-free cloth impregnated sparingly with isopropyl alcohol can be used to clean heavier soiling that cannot be removed with a cloth. Do not use furniture polishes (oils, waxes). These leave a greasy film on the surface and reduce the lustre. Dry cloths, paper serviettes or microfibre cloths should be avoided on matt or high-gloss surfaces as the surface may be scratched.

CARE AND CLEANING OF MELAMINE RESIN SURFACES

Clean the bathroom furniture with a soft cloth moistened in warm water and a little detergent. Furniture with textured surfaces is best cleaned in the direction of the pattern to remove any soiling. Then rub with a damp cloth moistened in clean water to remove the cleaning agent and avoid stains or streaks. Remove

stubborn soiling with hot water and a little detergent if necessary.

CARE AND CLEANING OF FAUX LEATHER

Please be aware that faux leather has nothing to do with genuine leather. Faux leather is best cleaned with a damp cloth and then do not apply a cream. The plasticisers in the faux leather interact unpleasantly with the grease and oil-based substances in a care cream and the surface is damaged.

CARE AND CLEANING OF VINYL MESH

Please ideally clean the mesh fabric with a damp cloth.

CARE AND CLEANING OF MIRRORS AND MIRRORING DOORS

Use a chamois that has been rinsed in warm water and wrung out well to remove stains (grease, cosmetics etc.). Always wipe the edges of mirrors dry, otherwise the surface may become defective. Do not use glass or window cleaner and other chemicals as these damage the silver coating of the mirror and may cause brown flecks. Any warranty entitlement and liability will lapse in the event of improper handling of the mirror and mirrored doors.

CARE AND CLEANING OF PLASTIC PRODUCTS, SUCH AS BOXES

Drawers, insert trays and plastic profiles can be cleaned with a solvent-free cleaning agent and damp cloth. Do not use any cleaning agents for cleaning that contain solvents, such as acetone, petroleum or benzene.

CARE AND CLEANING OF HANDLES

Although metallic materials are relatively hard materials, the corresponding surface finish (lacquering, anodisation, galvanisation)

is however not scratch-resistant. A soft cloth moistened in warm water suffices for everyday cleaning. Please observe the following points in the event of heavier soiling:

- **Chrome:** Chrome-plated surfaces should only be cleaned with a soft cloth and diluted spirit without applying any pressure to maintain the gloss. Then polish the surface with a soft cloth.
- **Stainless steel:** Please use a special stainless steel care product for cleaning stubborn soiling and follow the manufacturer's instructions.
- **Aluminium:** It is best to choose a damp chamois for cleaning as this gives the surface optimum protection against scratches.

CARE AND CLEANING OF GLASS SURFACES

The non-porous surface of glass is hygienic and easy to clean. Glass surfaces are best cleaned with warm water and a little detergent or with a household glass cleaner and a soft lint-free cloth.

CARE INSTRUCTIONS FOR QUARTZ STONE

Avoid damage to the product as a result of using the wrong cleaning agent

- Do not use concentrated acids or alkalis
 - Do not use abrasives or hard sponges
- The quartz stone surface should be cleaned with a soft damp cloth.

Light soiling can be removed with hot water and standard detergent.

A magic cleaning eraser can also be used in combination with hot water and standard detergent for heavy soiling.

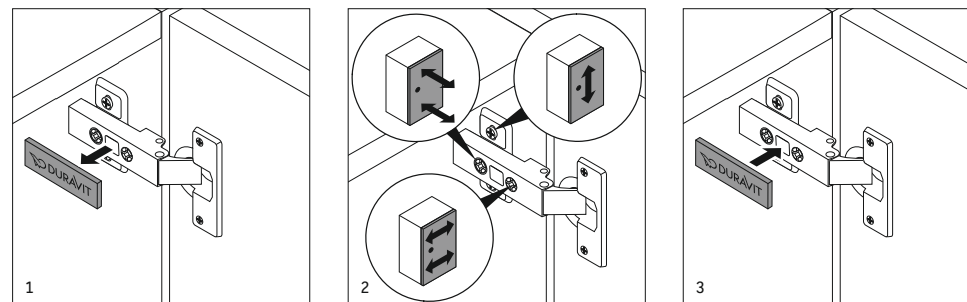
HAZARD INFORMATION



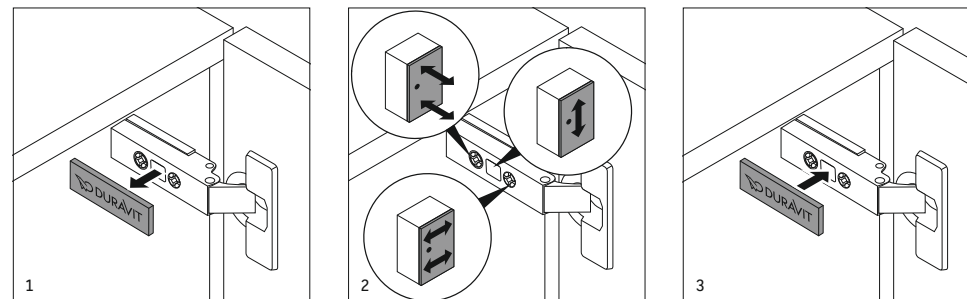
1. No persons are allowed to hang on the doors, pull-outs and drawers.
2. Open the doors only as far as they will go and do not overextend them.
3. Keep stored medication and cleaning agents away from children.
4. The assembly and disassembly of furniture and furniture parts must only be carried out by an authorised specialist.
5. Doors, pull-outs and drawers must be held firmly underneath so that they do not fall down.
6. Please note - as is the case with all electrical equipment - furniture with integrated lamps should also not come into contact with water.
7. Pull plugs out of the socket only with counter-pressure.
8. Electrical parts should only ever be cleaned when they have cooled down using a dry cloth.
9. Do not reach into the socket. (Caution: electric shock!)
10. All furniture parts with an electrical installation must only be connected by a qualified electrician taking (DIN 57 100) VDE 0100, Part 701 into account.
11. Permanently fitted LED light sources (service life > 30,000 hours).
12. Customer service hotline on +49 (0)78 33 70 403.

ADJUSTING THE HINGES

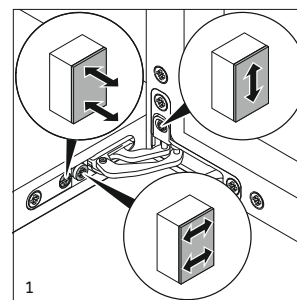
Version 1



Version 2

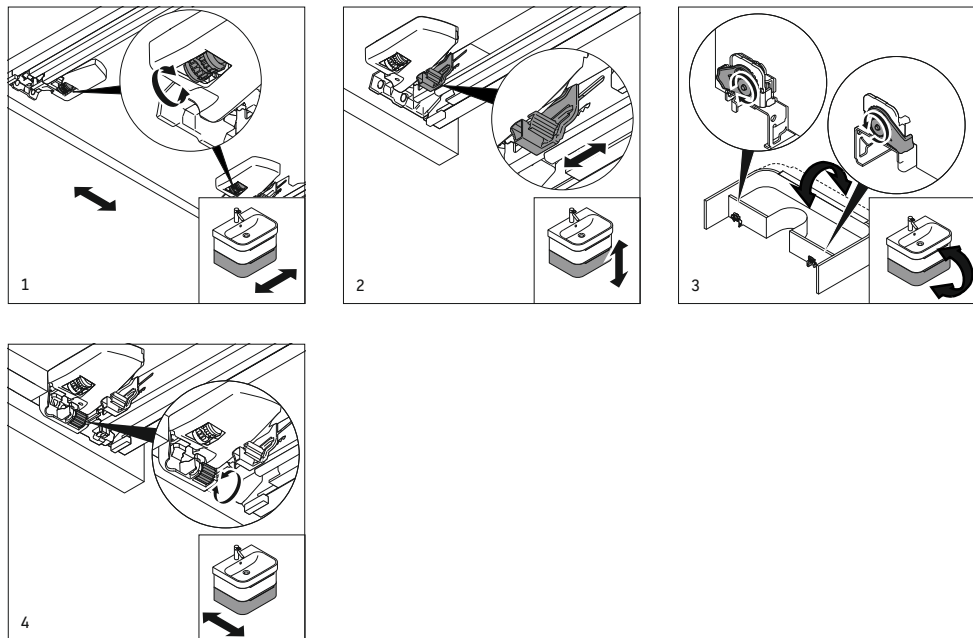


Version 3

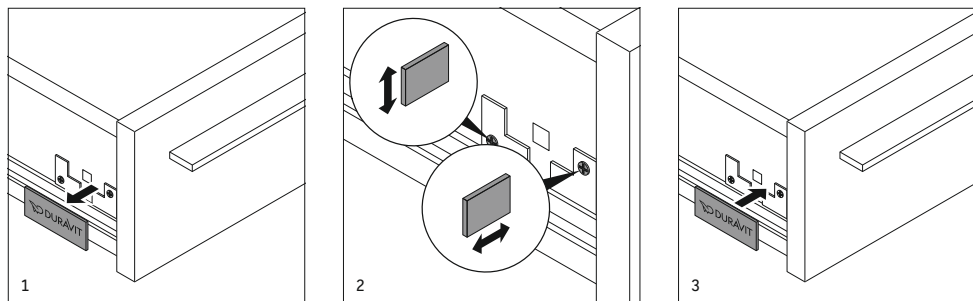


ADJUSTING THE DRAWERS AND PULL-OUT COMPARTMENTS

Version 1



Version 2



ADJUSTING THE DRAWERS AND PULL-OUT COMPARTMENTS

Version 3

