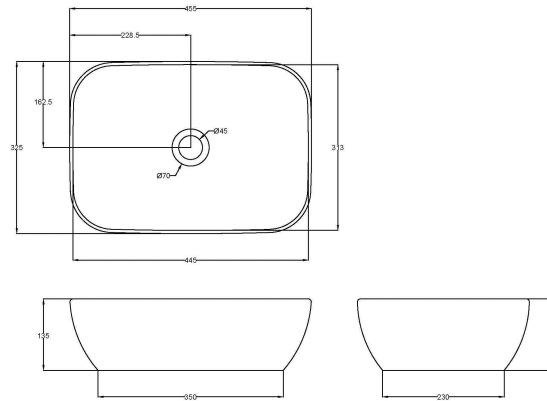


**Sales Code:** NBV358

**Description:** Vessel 455 X 325 X 135



**Product Dimensions**

Height (mm):	135
Width (mm):	455
Depth (mm):	325
Nett Weight (kg):	7.1

**Packaging Dimensions**

Height (mm):	155
Width (mm):	345
Depth (mm):	475
Gross Weight (kg):	7.8

**Packaging Data**

Box Colour:	Brown Cardboard Box
Box Qty:	1
Label Size:	100 x 50
Label Colour:	White Label
Label Qty:	2

**Outer Box Dimensions (If Applicable)**

Height (mm):	
Width (mm):	
Depth (mm):	
Gross Weight (kg):	
Barcode:	5056462625300

**Product Details**

Country of Origin:	China
Fitting Instruction:	No
Certification:	CE:      WRAS:      WRAS No:
Product Material:	Vitreous China
Fixing Supplied:	Not Applicable

**Pans/Bidets:** Trap Style: Not Applicable      Includes Seat: Not Applicable

**Seats:** Seat Type: Not Applicable      Material: Not Applicable  
 Function: Not Applicable      Hinge Type: Not Applicable  
 Hinge Material: Not Applicable

**Cisterns:** Operating Type: Not Applicable      Fittings: Not Applicable  
 Lever Type: Not Applicable

**Basins:** Tap Hole: No Tapholes      Chain Stay Hole: No  
 Template: Not Required      Waste Type Req: Not Applicable  
 Overflow Inc: No      Overflow Cover: No  
 Inner Bowl Depth (mm): 125mm